



ARCH
Lighting

ARCH
Lighting

Content Index

LINEAR LIGHT

6 - 49

SPOT LIGHTS

50 - 121

INVISIBLE LIGHTS

122 - 159

SQUARE SPOTS

160 - 169

FOCUS & MINI FOCUS

170 - 187

DECO PENDANT

188 - 197

NUCLEO & RING

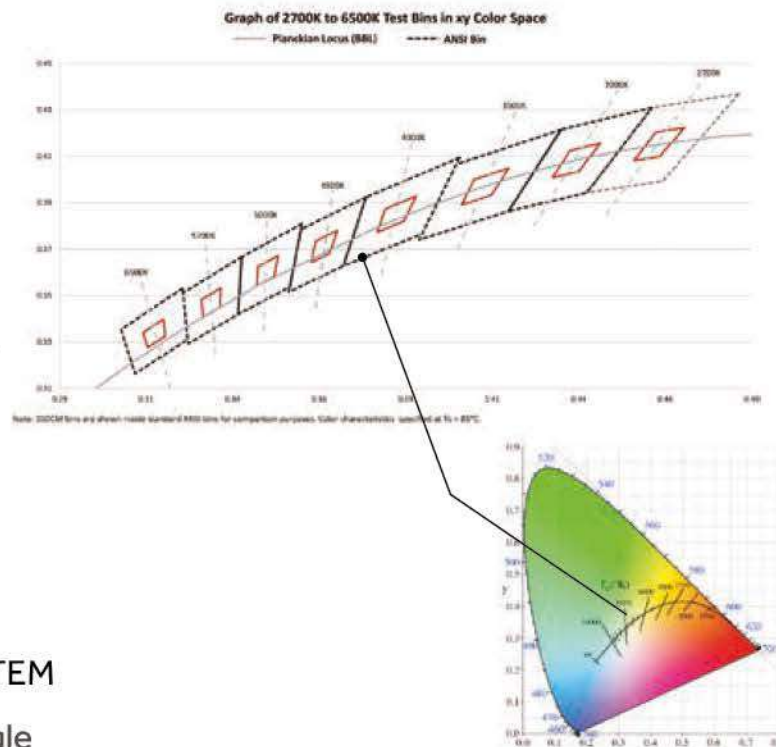
198 - 209

TRACK & ACCESSORIES

210 - 215

White Management

Each LED chip offers the best color control thanks to an even more accurate classification than the international ANSIC78.377 standard.



CRITERIA OF CHROMATICITY

■ Grey line

ANSI (American National Standard)

① DOUBLE REFLECTIVE SYSTEM

- Diffuser with $30^{\circ} - 40^{\circ}$ angle
- Bright surface with electrolytic chrome plating

② REFLECTOR

- Mirror with electroplated surface
- Available with an angle from 15° up to 60°
- High-resistant surface material
- Temperatures in Spherolit technology

③ CHIP

- Philips lumileds
- Citizen

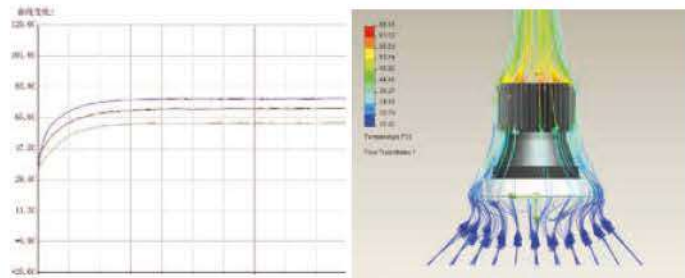
④ DISSIPATION

We use high ductility Al-Mg-Si alloys of $2.70\text{kg} / \text{m}$, equipped with a light, good body plasticity, excellent welding performance, excellent corrosion resistance, simple anodic oxidation and rapid dissipation of heat. The coefficient of thermal conductivity it can be $201\text{w} / \text{m.k}$, which is infinitely close to that of pure aluminum.



Thermal Measurements (ir camera)

To check for any malfunctions, the heating of the system is measured at room temperature and evaluated by comparing data simulating hot air flows.

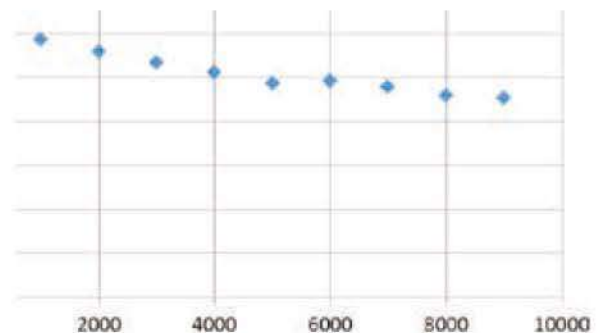


IES LM-80-08 LUMINOUS FLOW MAINTENANCE TEST

We guarantee a high quality light emission, long life and great reliability. The LEDs used inside our products respond to the LM-80 test and qualify with ENERGY STAR certification.

TEST IN EXTREME CONDITIONS

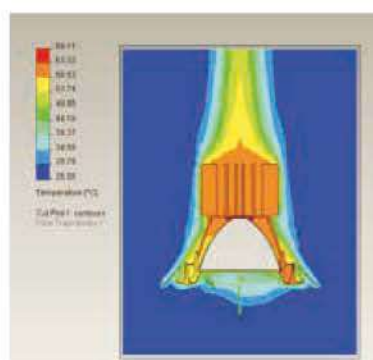
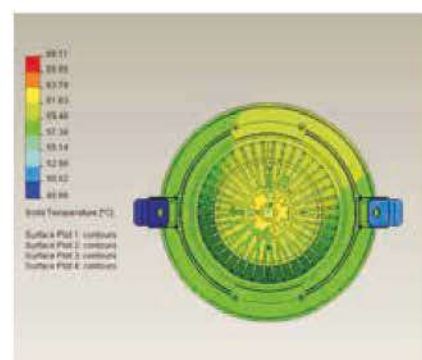
The LEDs used are subjected to an accelerated aging test to identify failures in extreme conditions and to assess the stability of the materials and the solidity of the products.



■ Luminous flux maintenance $>85\%$

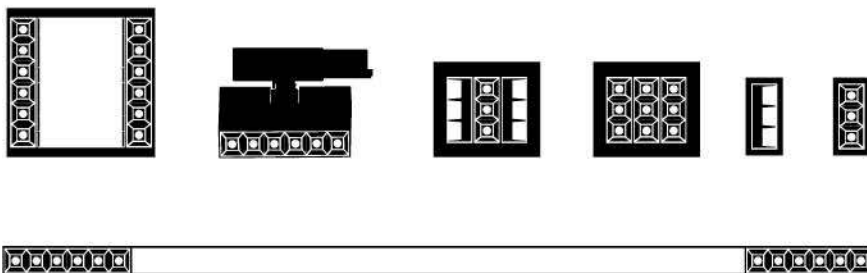
ANALYSIS OF THERMAL DISSIPATORS

A simulated dissipation program (ICEPAK) allows us to study the design of heat sinks and verify the suitability of materials to keep the LEDs at a temperature $<65\%$.



The innovation of accent lighting

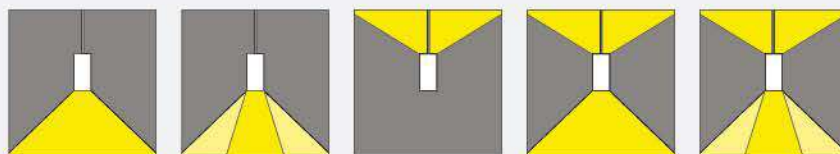
LINEAR LIGHT



Pendant linear

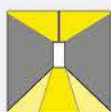
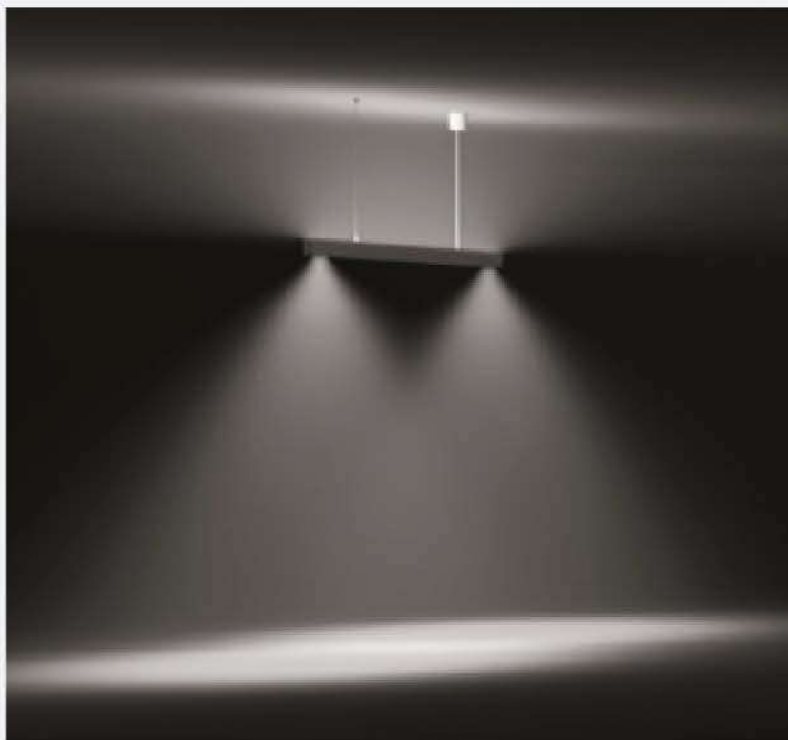


Pendant Linear

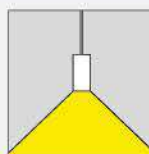


The PENDANT LINEAR Series proposes an innovative technology equipped with two different light sources and more choices of lighting power and distribution. The high quality and efficient anti-glare design with the $UGR \leq 12$ makes this product particularly suitable for the office environments.

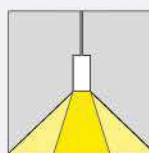
PENDANT LINEAR



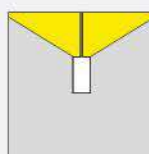
General lighting
Ambient lighting produced by wide beam light distribution



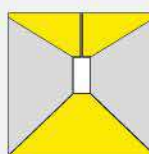
Pendant downlights
LED module 22W - 28W
1500lm - 2300lm
Light distribution: Wide flood



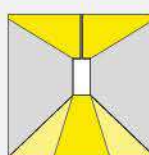
Pendant downlights
LED module 22W - 28W
1500lm - 2200lm
Light distribution: Asymmetric wide beam



Pendant downlights
LED module 33W
2700lm
Light distribution: Extra wide flood



Pendant downlights
LED module 55W-61W
4500lm-5100lm
Light distribution: Extra wide flood, Wide flood

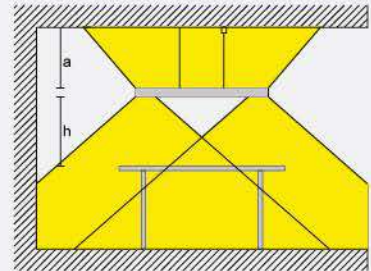
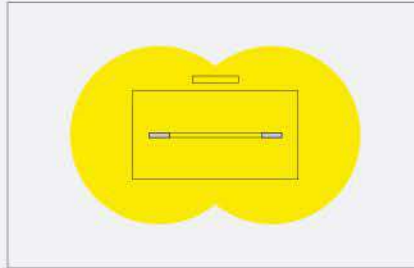


Pendant downlights
LED module 55W-61W
4500lm-5100lm
Light distribution: Extra wide flood, Asymmetric wide beam

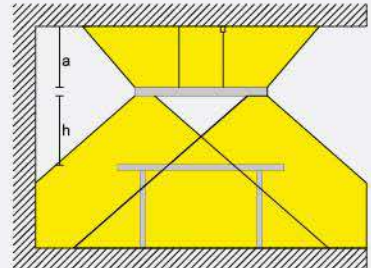
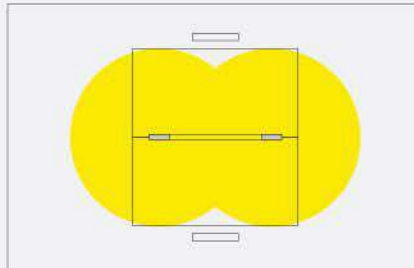
PENDANT LINEAR

For the high effect and comfortable
 $UGR \leq 12$ office environment,
 According the standard size for
 lighting mounting:
 $h \leq 1.1M$
 $a \geq 0.5M$

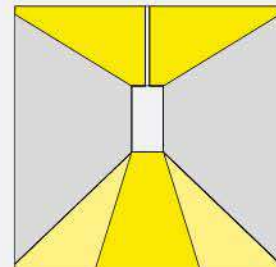
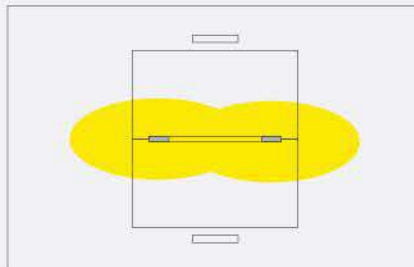
1.2m series provided 1.2-1.6m
 independent office table,
 1.6m series provided 1.8-2.2m
 independent office table



1.2m series provided 1.2-1.6m
 relative two 1.2-1.6m office table,
 1.6m series provided 1.8-2.2m
 relative two 1.8-2.2m office table



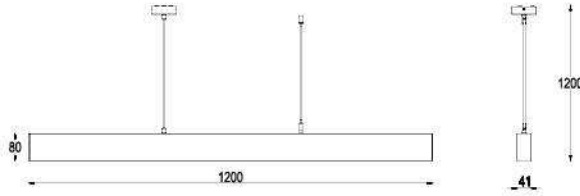
Elongation lens is available for any down
 illuminated module in the whole series,
 Achieving asymmetric wide beam light
 distribution.



Expect the standard length of L1200mm & L1600mm, Customized length and customized
 combination shape is available upon request. Can continuous installed but each AC circuit is
 3 units x L2000mm maximum.

PENDANT LINEAR

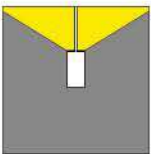
55W/61W



Suitable for AC220-240V 50/60Hz
 Single: IP20
 Control: On/Off, Triac, 1-10V
 Lifetime 35000-50000H



Accessories: Linear spread lens

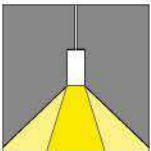


LED module:
 1050mA 24V MAX:33W

55W ELPL-551200

Lumen:3800-4500lm,5000K CRI>80 Efficacy up to:82 lm/W

Driver	Version	Optics	LED	Finishes
01 On/Off	MAX: 55W	Narrow	3000K CRI>90 DCM<3	White
02 1-10V dimming		Medium	4000K CRI>90 DCM<3	Grey
03 Dali dimming		Wide	5000K CRI>80 DCM<3	Black
		Oval flood		



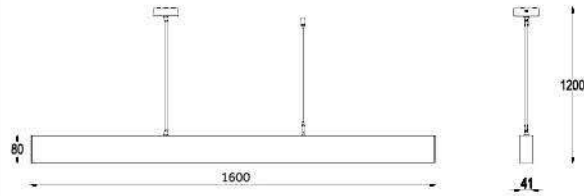
LED module:
 500mA 36V MAX:22W
 700mA 36V MAX:28W

61W ELPL-611200

Lumen:4300-5500lm,5000K CRI>80 Efficacy up to:90 lm/W

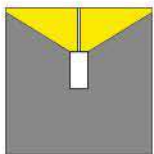
Driver	Version	Optics	LED	Finishes
01 On/Off	MAX: 61W	Narrow	3000K CRI>90 DCM<3	White
02 1-10V dimming		Medium	4000K CRI>90 DCM<3	Grey
03 Dali dimming		Wide	5000K CRI>80 DCM<3	Black
		Oval flood		

PENDANT LINEAR



Suitable for AC220-240V 50/60Hz
 Single: IP20
 Control: On/Off, Triac, 1-10V
 Lifetime 35000-50000H

Accessories: Linear spread lens

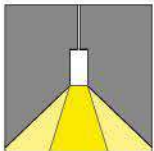


LED module:
1050mA 24V MAX:33W

55W ELPL-551600

Lumen:3800-4500lm,5000K CRI>80 Efficacy up to:82lm/W

Driver	Version	Optics	LED	Finishes
01 On/Off	MAX: 55W	Narrow	3000K CRI>90 DCM<3	White
02 1-10V dimming		Medium	4000K CRI>90 DCM<3	Grey
03 Dali dimming		Wide	5000K CRI>80 DCM<3	Black
		Oval flood		



LED module:
500mA 36V MAX:22W
700mA 36V MAX:28W

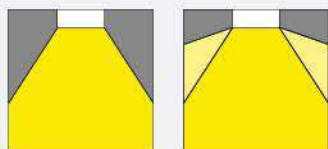
61W ELPL-611600

Lumen:4300-5500lm,5000K CRI>80 Efficacy up to:90lm/W

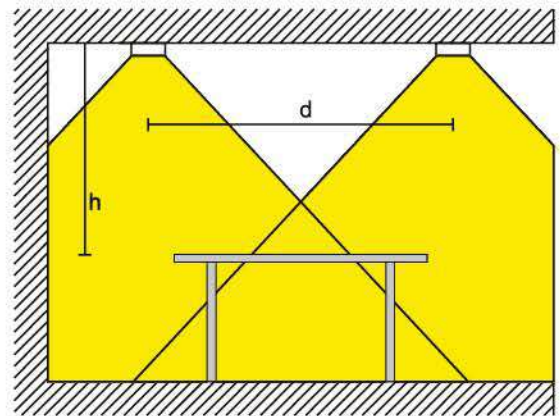
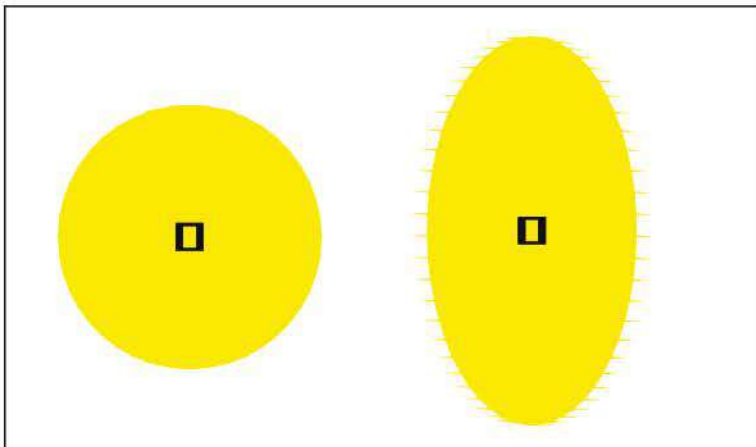
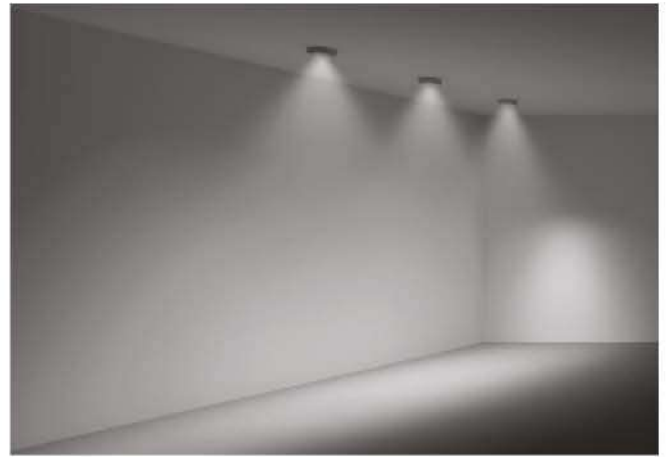
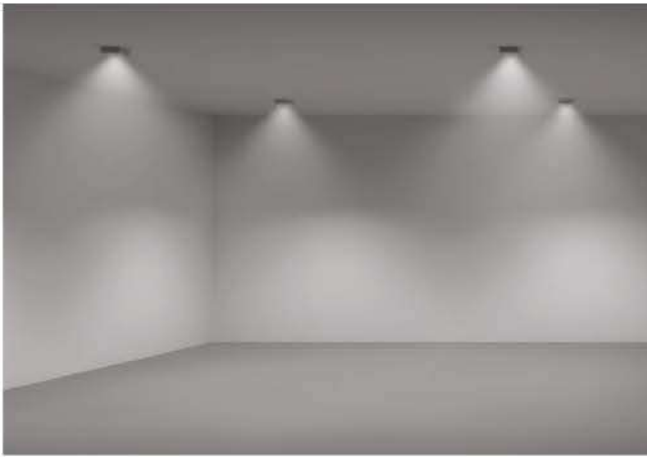
Driver	Version	Optics	LED	Finishes
01 On/Off	MAX: 61W	Narrow	3000K CRI>90 DCM<3	White
02 1-10V dimming		Medium	4000K CRI>90 DCM<3	Grey
03 Dali dimming		Wide	5000K CRI>80 DCM<3	Black
		Oval flood		

CEILING SQUARE

Ceiling Square



With its essential design CEILING SQUARE is perfectly suited to modern architecture projects. The compact appearance, a wider distribution of light and visual comfort with the $UGR \leq 12$ provide the best lighting solution for offices and interior public areas.

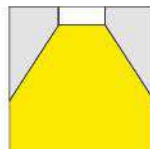


CEILING SQUARE offers two kinds of light distribution, Wide flood and Oval Wide flood apply to different applications.

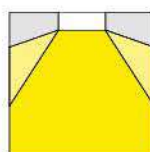
CEILING SQUARE with its compact size, wide illuminate scope and low UGR, follow the installation instruction, easy to calculate the luminaire quantity for any office or indoor public application.



General lighting
Ambient lighting produced by wide beam light distribution



Surface-mounted square
LED module 28W - 42W
2000lm - 2600lm
Light distribution: Wide flood

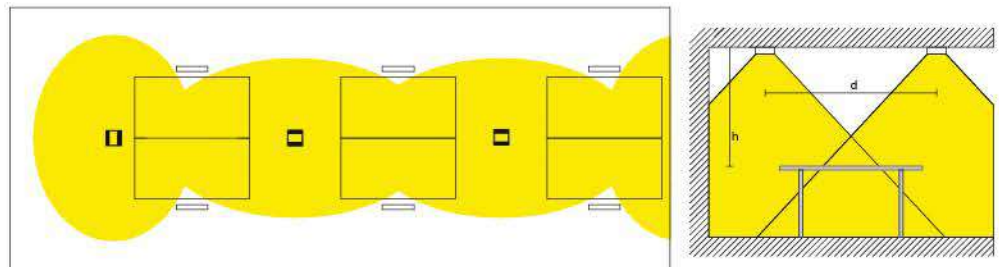


Surface-mounted square
LED module 28W - 42W
2000lm - 2600lm
Light distribution: Oval wide flood

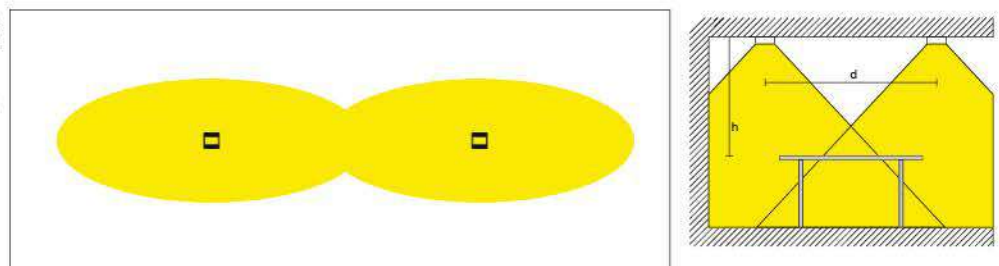
CEILING SQUARE

CEILING SQUARE provides two different light distribution options to lighting designs, Flexible lighting solution with high illumination and visual comfort apply to office, public area, commercial area, restaurant and other applications.

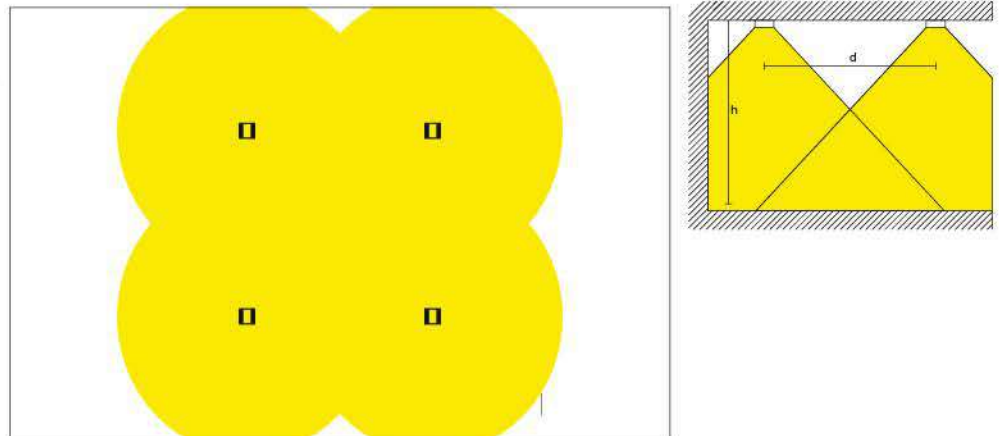
In the office, with optimal uniformity and good facial recognition, the luminaire spacing (d) may be up to 1.5 times the height (h) of the luminaire above the working plane.
 $d \leq 1.5 \times h$



In the hallway or any narrow but long applications, selects the elongation lens to achieve the uniformity, the luminaire spacing (d) can be 1.5 times the height (h) of the luminaire above the floor.
 $d \leq 1.5 \times h$

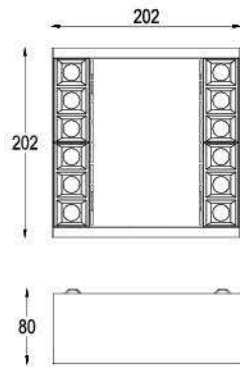


In the office and public architecture application, as the general installation guide to achieve the uniformity, the luminaire spacing (d) can be 1.3 times the height (h) of the luminaire above the floor.
 $d \leq 1.3 \times h$



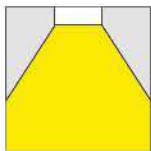
CEILING SQUARE

28W/35W/42W



Suitable for AC220-240V 50/60Hz
 Single: IP20
 Control: On/Off, Triac dimming;
 Lifetime 35000-50000H

Accessories: Linear spread lens

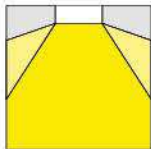


Light distribution:
Wide flood

28W ELCQ-28200

Lumen:2000-2600 lm,5000K CRI>80 Efficacy up to:95 lm/W

Driver	Version	Optics	LED	Finishes
01 On/Off	700mA MAX: 28W	Narrow	3000K CRI>90 DCM<3	White
02 Triac dimming		Medium	4000K CRI>90 DCM<3	Grey
03 1-10V dimming		Wide	5000K CRI>80 DCM<3	Black
04 Dali dimming		Oval flood		



Light distribution:
Oval wide flood

35W ELCQ-35200

Lumen:2400-3300 lm,5000K CRI>80 Efficacy up to:92 lm/W

Driver	Version	Optics	LED	Finishes
01 On/Off	900mA MAX: 35W	Narrow	3000K CRI>90 DCM<3	White
02 Triac dimming		Medium	4000K CRI>90 DCM<3	Grey
03 1-10V dimming		Wide	5000K CRI>80 DCM<3	Black
04 Dali dimming		Oval flood		

42W ELCQ-35200

Lumen:3000-3800 lm,5000K CRI>80 Efficacy up to:92 lm/W

Driver	Version	Optics	LED	Finishes
01 On/Off	1050mA MAX: 42W	Narrow	3000K CRI>90 DCM<3	White
02 1-10V dimming		Medium	4000K CRI>90 DCM<3	Grey
03 Dali dimming		Wide	5000K CRI>80 DCM<3	Black
		Oval flood		

RECESSED LINEAR WALLWASHER

Recessed Linear Wallwasher



42mm



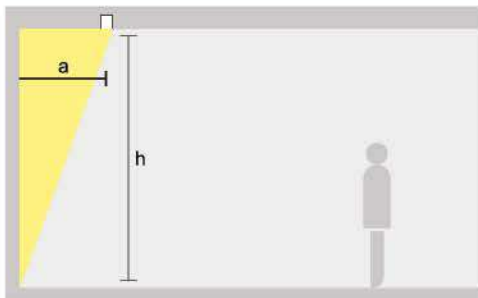
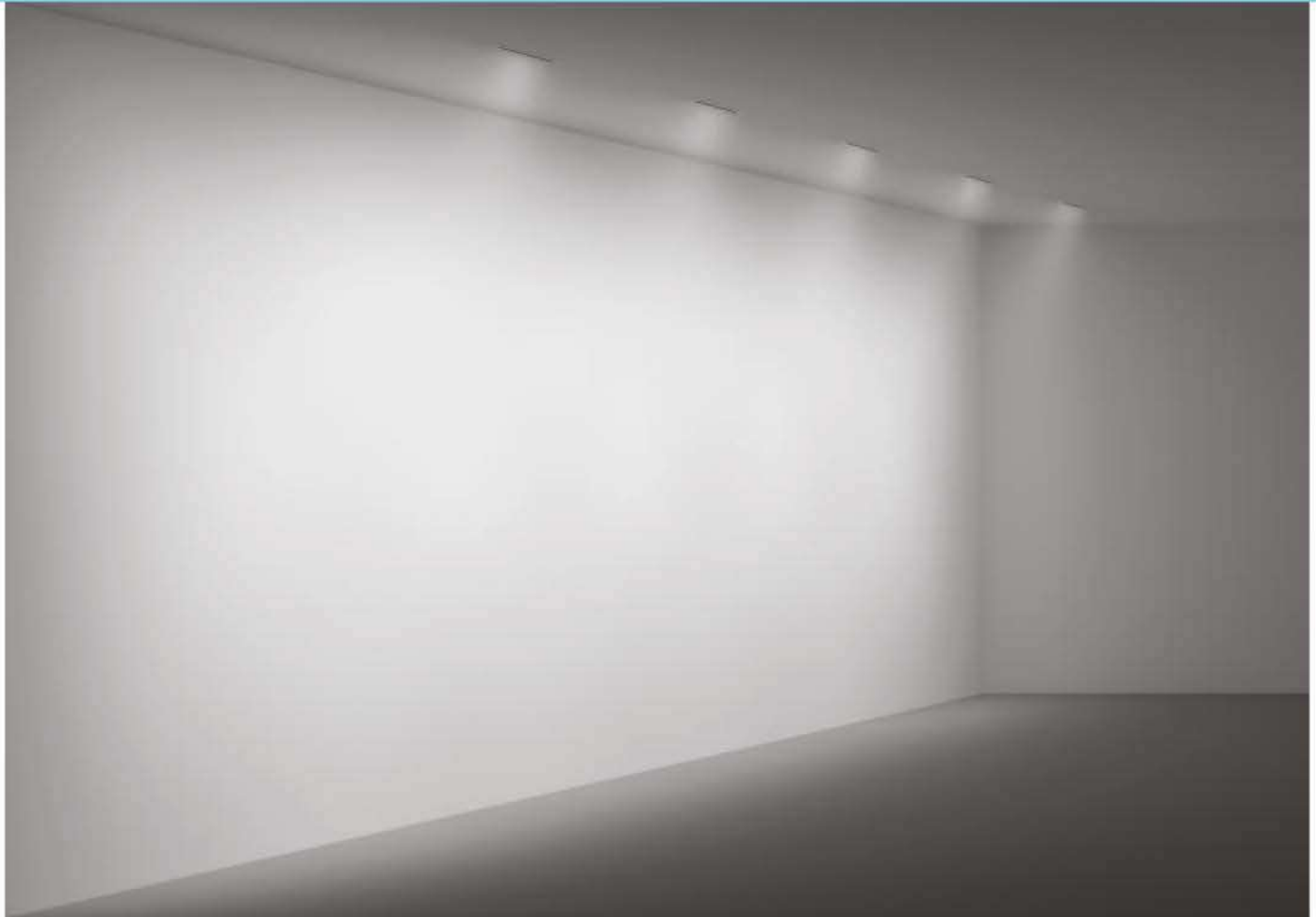
62mm



Widely used by Architects and Designers, the light cuts generate soft shadows and plenty of ambient light. The possibility of a borderless assembly makes this element perfectly integrated in every situation and the availability of symmetrical and asymmetrical optics allows a variety of applications.

The RECESSED LINEAR is particularly suitable for environments where it is important to control glare, $UGR \leq 12$, as offices and common rooms, while asymmetric distribution is ideal to generate wallwashing effects in any type of environment both public and private.

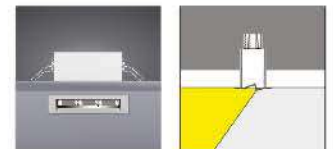
RECESSED LINEAR WALLWASHER



Wallwashing

For uniform vertical illuminance, the distance (a) of lens wallwashers from the wall should be around one third of the wall height (h).

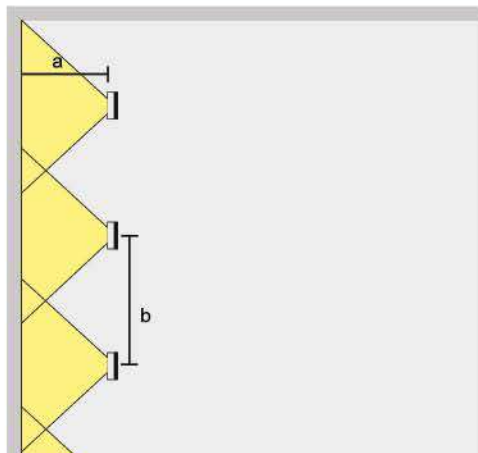
Arrangement: $a = 1/3 \times h$



Lens wallwashers

Asymmetrical light distribution for highly uniform wallwashing.

LED module
8W - 43W



For good longitudinal uniformity, the spacing (d) of lens wallwashers may be up to 1.3 times the offset from the wall (a).

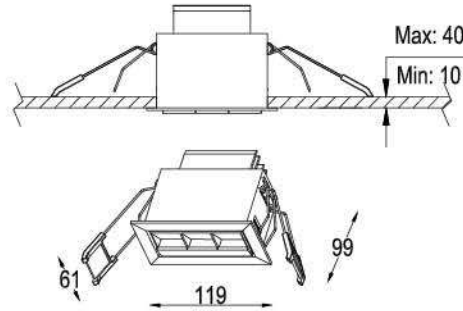
Arrangement: $d \leq 1.3 \times a$

Optimal wall offset and luminaire spacing values are indicated in the wallwasher tables on the product data sheets.

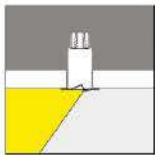
RECESSED LINEAR WALLWASHER



Suitable for AC220-240V 50/60Hz
 Single: IP20
 Control: On/Off, Triac 1-10V
 Lifetime 35000-50000H



L L110*W50*H140mm
H Max:40mm



Regular
 (Rotationally symmetrical light distribution)

8W ERL-08120-ASY

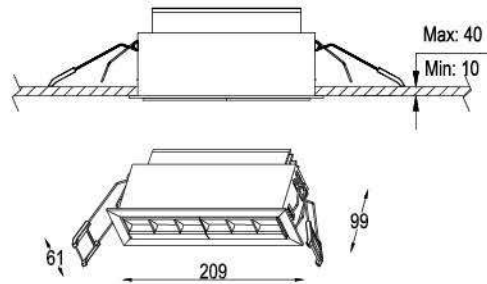
Driver	Version	Optics	LED	Finishes
01 On/Off	180mA MAX: 8W	Asymmetrical	2700K CRI>90 DCM<3	White
02 Triac dimming			3000K CRI>90 DCM<3	Black
03 1-10V dimming			4000K CRI>90 DCM<3	
04 DALI dimming				

11W ERL-11120-ASY

Driver	Version	Optics	LED	Finishes
01 On/Off	250mA MAX: 11W	Asymmetrical	2700K CRI>90 DCM<3	White
02 Triac dimming			3000K CRI>90 DCM<3	Black
03 1-10V dimming			4000K CRI>90 DCM<3	
04 DALI dimming				

RECESSED LINEAR WALLWASHER

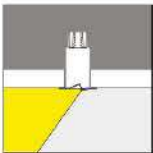
15W/20W



L200*W50*H140mm
Max:40mm



Suitable for AC220-240V 50/60Hz
 Single: IP20
 Control: On/Off, Triac 1-10V,
 Lifetime 35000-50000H



Regular
 (Rotationally symmetrical light distribution)

15W ERL-15200-ASY

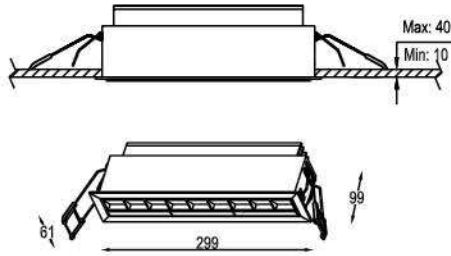
Driver	Version	Optics	LED	Finishes
01 On/Off	350mA MAX: 15W	Asymmetrical	2700K CRI>90 DCM<3	White
02 Triac dimming			3000K CRI>90 DCM<3	Black
03 1-10V dimming			4000K CRI>90 DCM<3	
04 DALI dimming				


20W ERL-20200-ASY

Driver	Version	Optics	LED	Finishes
01 On/Off	500mA MAX: 20W	Asymmetrical	2700K CRI>90 DCM<3	White
02 Triac dimming			3000K CRI>90 DCM<3	Black
03 1-10V dimming			4000K CRI>90 DCM<3	
04 DALI dimming				

RECESSED LINEAR WALLWASHER

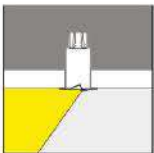
20W/28W/33W



 L290*W50*H140mm
 Max:40mm



Suitable for AC220-240V 50/60Hz
 Single: IP20
 Control: On/Off, Triac 1-10V,
 Lifetime 35000-50000H



Regular
 (Rotationally symmetrical light distribution)

20W ELRL-20300-ASY

Driver	Version	Optics	LED	Finishes
01 On/Off	500mA MAX: 20W	Asymmetrical	2700K CRI>90 DCM<3	<input type="checkbox"/> White
02 Triac dimming			3000K CRI>90 DCM<3	<input checked="" type="checkbox"/> Black
03 1-10V dimming			4000K CRI>90 DCM<3	
04 Dali dimming				

28W ELRL-28300-ASY

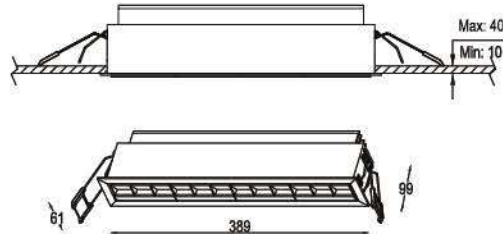
Driver	Version	Optics	LED	Finishes
01 On/Off	700mA MAX: 28W	Asymmetrical	2700K CRI>90 DCM<3	<input type="checkbox"/> White
02 Triac dimming			3000K CRI>90 DCM<3	<input checked="" type="checkbox"/> Black
03 1-10V dimming			4000K CRI>90 DCM<3	
04 Dali dimming				


33W ELRL-33300-ASY

Driver	Version	Optics	LED	Finishes
01 On/Off	800mA MAX: 33W	Asymmetrical	2700K CRI>90 DCM<3	<input type="checkbox"/> White
02 Triac dimming			3000K CRI>90 DCM<3	<input checked="" type="checkbox"/> Black
03 1-10V dimming			4000K CRI>90 DCM<3	
04 Dali dimming				

RECESSED LINEAR WALLWASHER

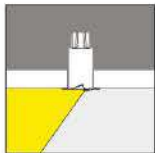
28W/36W/43W



-  L380*W50*H140mm
-  Max:40mm



Suitable for AC220-240V 50/60Hz
 Single: IP20
 Control: On/Off, Triac 1-10V
 Lifetime 35000-50000H



Regular
 (Rotationally symmetrical light distribution)

28W EURL-28390-ASY

Driver	Version	Optics	LED	Finishes
01 On/Off	700mA MAX: 28W	Asymmetrical	2700K CRI>90 DCM<3	<input type="checkbox"/> White
02 Triac dimming			3000K CRI>90 DCM<3	<input checked="" type="checkbox"/> Black
03 1-10V dimming			4000K CRI>90 DCM<3	
04 Dali dimming				

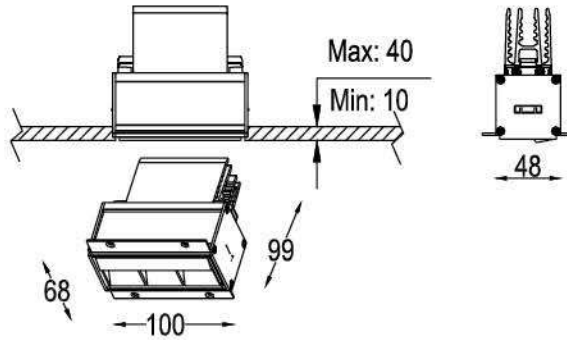
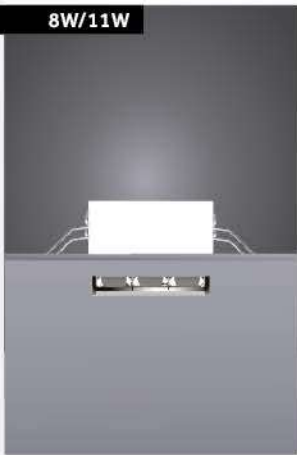
36W EURL-36390-ASY

Driver	Version	Optics	LED	Finishes
01 On/Off	900mA MAX: 36W	Asymmetrical	2700K CRI>90 DCM<3	<input type="checkbox"/> White
02 Triac dimming			3000K CRI>90 DCM<3	<input checked="" type="checkbox"/> Black
03 1-10V dimming			4000K CRI>90 DCM<3	
04 Dali dimming				

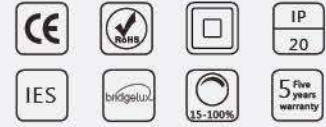
43W EURL-43390-ASY

Driver	Version	Optics	LED	Finishes
01 On/Off	1050mA MAX: 43W	Asymmetrical	2700K CRI>90 DCM<3	<input type="checkbox"/> White
02 1-10V dimming			3000K CRI>90 DCM<3	<input checked="" type="checkbox"/> Black
03 Dali dimming			4000K CRI>90 DCM<3	

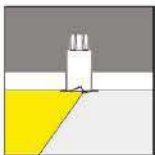
RECESSED LINEAR WALLWASHER



- L104*W50*H140mm
- Max:40mm



Suitable for AC220-240V 50/60Hz
 Single: IP20
 Control: On/Off, Triac 1-10V
 Lifetime 35000-50000H



Regular
 (Rotationally symmetrical light distribution)

8W ELRL-08100-ASY

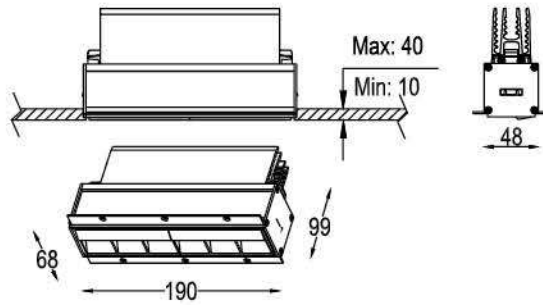
Driver	Version	Optics	LED	Finishes
01 On/Off	180mA MAX: 8W	Asymmetrical	2700K CRI>90 DCM<3	<input type="checkbox"/> White
02 Triac dimming			3000K CRI>90 DCM<3	<input checked="" type="checkbox"/> Black
03 1-10V dimming			4000K CRI>90 DCM<3	
04 Dali dimming				



11W ELRL-11100-ASY

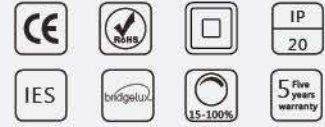
Driver	Version	Optics	LED	Finishes
01 On/Off	250mA MAX: 11W	Asymmetrical	2700K CRI>90 DCM<3	<input type="checkbox"/> White
02 Triac dimming			3000K CRI>90 DCM<3	<input checked="" type="checkbox"/> Black
03 1-10V dimming			4000K CRI>90 DCM<3	
04 Dali dimming				

RECESSED LINEAR WALLWASHER

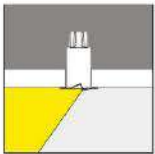
15W/20W



 L194*W50*H140mm
 Max:40mm



Suitable for AC220-240V 50/60Hz
 Single: IP20
 Control: On/Off, Triac 1-10V,
 Lifetime 35000-50000H



Regular
 (Rotationally symmetrical light distribution)

15W ERL-15190-ASY

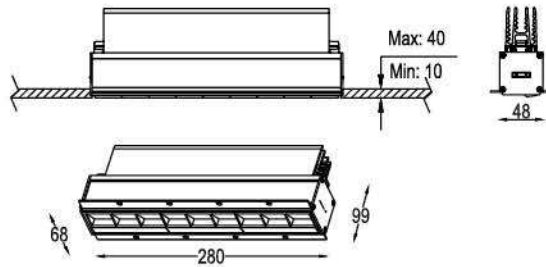
Driver	Version	Optics	LED	Finishes
01 On/Off	350mA MAX: 15W	Asymmetrical	2700K CRI>90 DCM<3	<input type="checkbox"/> White
02 Triac dimming			3000K CRI>90 DCM<3	<input checked="" type="checkbox"/> Black
03 1-10V dimming			4000K CRI>90 DCM<3	
04 Dali dimming				



20W ERL-20190-ASY

Driver	Version	Optics	LED	Finishes
01 On/Off	500mA MAX: 20W	Asymmetrical	2700K CRI>90 DCM<3	<input type="checkbox"/> White
02 Triac dimming			3000K CRI>90 DCM<3	<input checked="" type="checkbox"/> Black
03 1-10V dimming			4000K CRI>90 DCM<3	
04 Dali dimming				

RECESSED LINEAR WALLWASHER

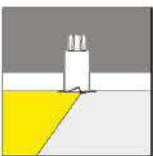
20W/28W/33



-  L284*W50*H140mm
-  Max:40mm



Suitable for AC220-240V 50/60Hz
 Single: IP20
 Control: On/Off, Triac 1-10V
 Lifetime 35000-50000H



Regular
 (Rotationally symmetrical light distribution)

20W ERL-20280-ASY

Driver	Version	Optics	LED	Finishes
01 On/Off	500mA MAX: 20W	Asymmetrical	2700K CRI>90 DCM<3	<input type="checkbox"/> White
02 Triac dimming			3000K CRI>90 DCM<3	<input checked="" type="checkbox"/> Black
03 1-10V dimming			4000K CRI>90 DCM<3	
04 Dali dimming				

28W ERL-28280-ASY

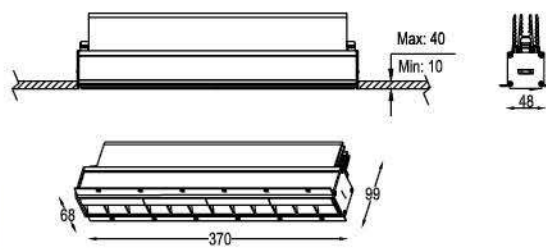
Driver	Version	Optics	LED	Finishes
01 On/Off	700mA MAX: 28W	Asymmetrical	2700K CRI>90 DCM<3	<input type="checkbox"/> White
02 Triac dimming			3000K CRI>90 DCM<3	<input checked="" type="checkbox"/> F
03 1-10V dimming			4000K CRI>90 DCM<3	
04 Dali dimming				

33W ERL-33280-ASY

Driver	Version	Optics	LED	Finishes
01 On/Off	800mA MAX: 33W	Asymmetrical	2700K CRI>90 DCM<3	<input type="checkbox"/> White
02 Triac dimming			3000K CRI>90 DCM<3	<input checked="" type="checkbox"/> Black
03 1-10V dimming			4000K CRI>90 DCM<3	
04 Dali dimming				

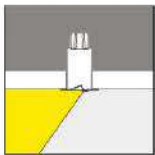
RECESSED LINEAR WALLWASHER

28W/36W/43W



Suitable for AC220-240V 50/60Hz
 Single: IP20
 Control: On/Off, Triac 1-10V,
 Lifetime 35000-50000H

L374*W50*H140mm
 Max:40mm



Regular
 (Rotationally symmetrical light distribution)

28W ELR-28370-ASY

Driver	Version	Optics	LED	Finishes
01 On/Off	700mA MAX: 28W	Asymmetrical	2700K CRI>90 DCM<3	<input type="checkbox"/> White
02 Triac dimming			3000K CRI>90 DCM<3	<input checked="" type="checkbox"/> Black
03 1-10V dimming			4000K CRI>90 DCM<3	
04 Dali dimming				

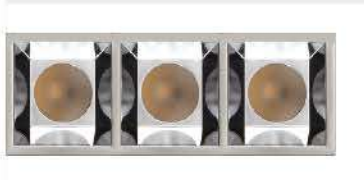
36W ELR-36370-ASY

Driver	Version	Optics	LED	Finishes
01 On/Off	900mA MAX: 36W	Asymmetrical	2700K CRI>90 DCM<3	<input type="checkbox"/> White
02 Triac dimming			3000K CRI>90 DCM<3	<input checked="" type="checkbox"/> Black
03 1-10V dimming			4000K CRI>90 DCM<3	
04 Dali dimming				

43W ELR-43370-ASY

Driver	Version	Optics	LED	Finishes
01 On/Off	1050mA MAX: 43W	Asymmetrical	2700K CRI>90 DCM<3	<input type="checkbox"/> White
02 1-10V dimming			3000K CRI>90 DCM<3	<input checked="" type="checkbox"/> Black
03 Dali dimming			4000K CRI>90 DCM<3	

Recessed Linear



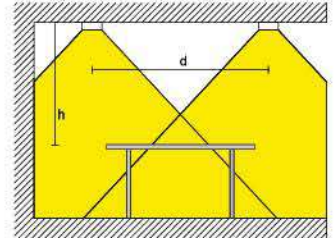
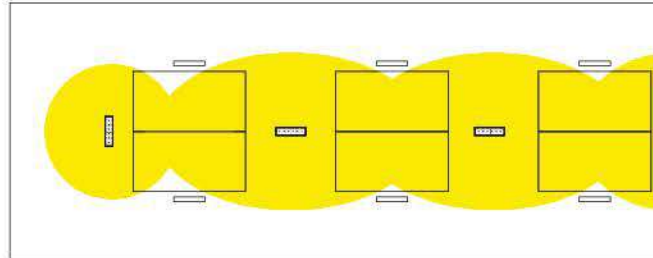
Widely used by Architects and Designers, the light cuts generate soft shadows and plenty of ambient light. The possibility of a borderless assembly makes this element perfectly integrated in every situation and the availability of symmetrical and asymmetrical optics allows a variety of applications.

The RECESSED LINEAR is particularly suitable for environments where it is important to control glare, $UGR \leq 12$, as offices and common rooms, while asymmetric distribution is ideal to generate wallwashing effects in any type of environment both public and private.

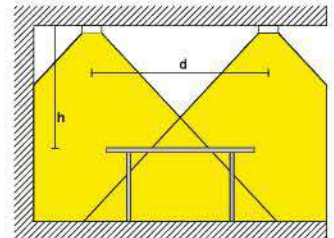
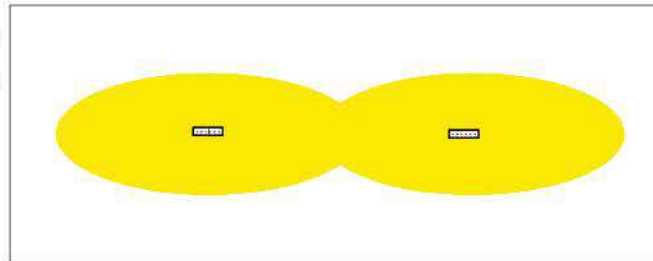
RECESSED LINEAR

RECESSED LINEAR provides two different light distribution options to lighting designs, flexible lighting solution with high illumination and visual comfort apply to office, public area, commercial area, restaurant and other retail and hospitality applications.

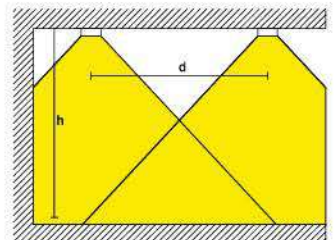
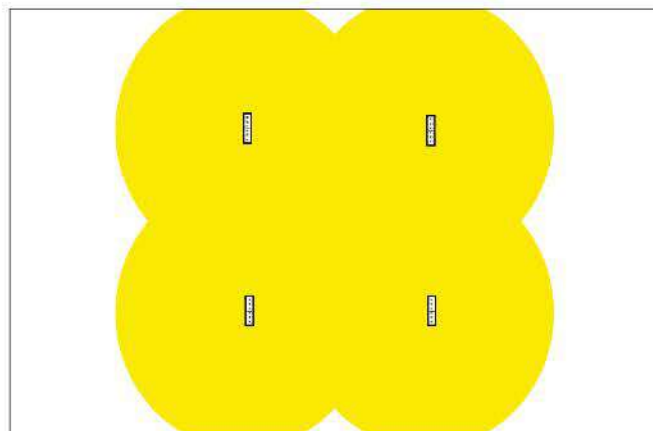
In the office, with optimal uniformity and good facial recognition, the luminaire spacing (d) may be up to 1.5 times the height (h) of the luminaire above the working plane.
 $d \leq 1.5xh$



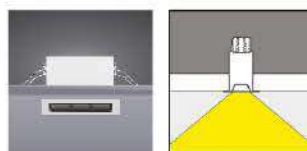
In the hallway or any narrow but long applications, selects the elongation lens to achieve the uniformity, the luminaire spacing (d) can be 1.5 times the height (h) of the luminaire above the floor.
 $d \leq 1.5xh$



In the office and public architecture application, as the general installation guide to achieve the uniformity, the luminaire spacing (d) can be 1.3 times the height (h) of the luminaire above the floor.
 $d \leq 1.3xh$



General lighting
Ambient lighting produced by wide beam light distribution.

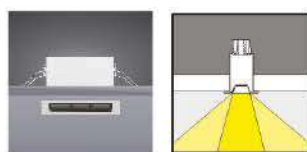


Downlights
Rotationally symmetrical or axially symmetrical, wide beam light distribution for general lighting.

LED module
8W - 43W
450 lm - 3960 lm
Light distribution: Narrow, Medium, Wide



Linear lighting
Linear general lighting for spatial structuring and the illumination of zones and pathways.

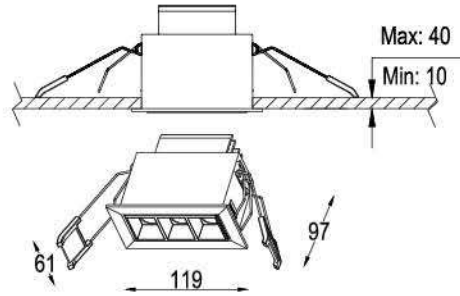


Downlights oval flood
Axially symmetrical light distribution for linear lighting.

LED module
8W - 43W
450 lm - 3960 lm
Light distribution: Oval flood

RECESSED LINEAR

8W/11

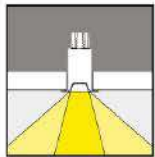


L110*W50*H140mm
Max:40mm



Suitable for AC220-240V 50/60Hz
 Single:IP20
 Control: On/Off, Triac 1-10'
 Lifetime 35000-50000h

Accessories: Linear spread lens

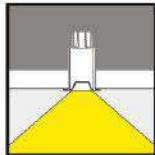


Downlights oval flood

8W ERL-08120

Lumen:450-650 lm,3000K CRI>90 Efficacy up to:82 lm/W

Driver	Version	Optics	LED	Finishes
01 On/Off	180mA MAX:8W	Narrow	2700K CRI>90 DCM<3	White
02 Triac dimming		Medium	3000K CRI>90 DCM<3	Black
03 1-10V dimming		Wide	4000K CRI>90 DCM<3	
04 Dali dimming		Oval flood		



Downlights

11W ERL-11120

Lumen:650-900 lm,3000K CRI>90 Efficacy up to:90 lm/W

Driver	Version	Optics	LED	Finishes
01 On/Off	250mA MAX:11W	Narrow	2700K CRI>90 DCM<3	White
02 Triac dimming		Medium	3000K CRI>90 DCM<3	Black
03 1-10V dimming		Wide	4000K CRI>90 DCM<3	
04 Dali dimming		Oval flood		

RECESSED LINEAR

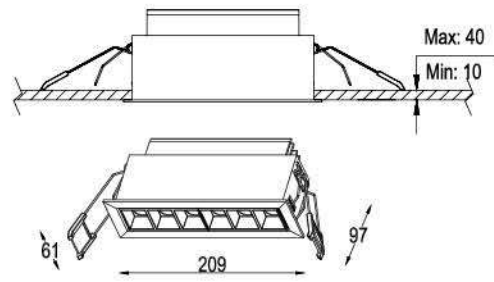


Suitable for AC220-240V 50/60Hz
 Single: IP20
 Control: On/Off, Triac 1-10V
 Lifetime 35000-50000H

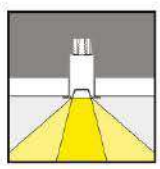
Accessories: Linear spread lens



15W/20W



L200*W50*H140mm
 Max:40mm

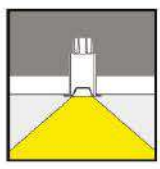


Downlights oval flood

15W EURL-15200

Lumen:900-1250 lm,3000K CRI>90 Efficacy up to:82 lm/W

Driver	Version	Optics	LED	Finishes
01 On/Off	350mA MAX:15W	Narrow	2700K CRI>90 DCM<3	White
02 Triac dimming		Medium	3000K CRI>90 DCM<3	Black
03 1-10V dimming		Wide	4000K CRI>90 DCM<3	
04 Dali dimming		Oval flood		



Downlights

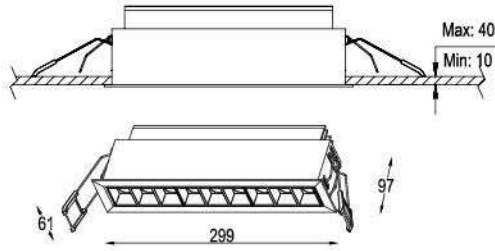
20W EURL-20200

Lumen:1200-1650 lm,3000K CRI>90 Efficacy up to:82 lm/W

Driver	Version	Optics	LED	Finishes
01 On/Off	500mA MAX:20W	Narrow	2700K CRI>90 DCM<3	White
02 Triac dimming		Medium	3000K CRI>90 DCM<3	Black
03 1-10V dimming		Wide	4000K CRI>90 DCM<3	
04 Dali dimming		Oval flood		

RECESSED LINEAR

20W/28W/33W

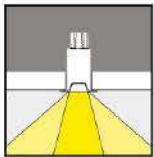


L290*W50*H140mm
Max:40mm



Suitable for AC220-240V 50/60Hz
 Single:IP20
 Control: On/Off, Triac 1-10V,
 Lifetime 35000-50000H

Accessories: Linear spread lens

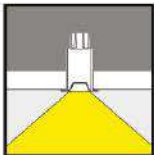


Downlights oval flood

20W EURL-20300

Lumen:1200-1650 lm,3000K CRI>90 Efficacy up to:82 lm/W

Driver	Version	Optics	LED	Finishes
01 On/Off	500mA MAX: 20W	Narrow	2700K CRI>90 DCM<3	White
02 Triac dimming		Medium	3000K CRI>90 DCM<3	Black
03 1-10V dimming		Wide	4000K CRI>90 DCM<3	
04 Dali dimming		Oval flood		



Downlights

28W EURL-28300

Lumen:1680-2300 lm,3000K CRI>90 Efficacy up to:82 lm/W

Driver	Version	Optics	LED	Finishes
01 On/Off	700mA MAX: 28W	Narrow	2700K CRI>90 DCM<3	White
02 Triac dimming		Medium	3000K CRI>90 DCM<3	Black
03 1-10V dimming		Wide	4000K CRI>90 DCM<3	
04 Dali dimming		Oval flood		

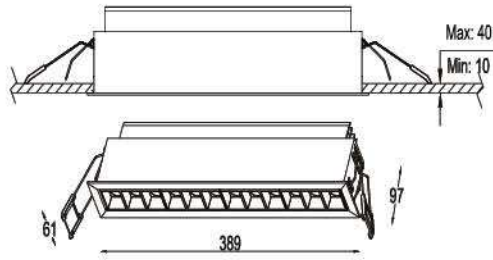
33W EURL-33300

Lumen:2000-2700 lm,3000K CRI>90 Efficacy up to:82 lm/W

Driver	Version	Optics	LED	Finishes
01 On/Off	800mA MAX: 33W	Narrow	2700K CRI>90 DCM<3	White
02 Triac dimming		Medium	3000K CRI>90 DCM<3	Black
03 1-10V dimming		Wide	4000K CRI>90 DCM<3	
04 Dali dimming		Oval flood		

RECESSED LINEAR

28W/36W/43W



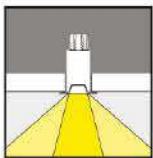
L380*W50*H140mm
Max:40mm



Suitable for AC220-240V 50/60Hz
 Single:IP20
 Control: On/Off, Triac 1-10V,
 Lifetime 35000-50000H



Accessories: Linear spread lens

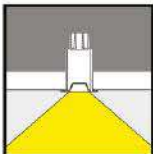


Downlights oval flood

28W ELRL-28390

Lumen:1680-2300lm,3000K CRI>90 Efficacy up to:82lm/W

Driver	Version	Optics	LED	Finishes
01 On/Off	700mA MAX: 28W	Narrow	2700K CRI>90 DCM<3	White
02 Triac dimming		Medium	3000K CRI>90 DCM<3	Black
03 1-10V dimming		Wide	4000K CRI>90 DCM<3	
04 Dali dimming		Oval flood		



Downlights

36W ELRL-36390

Lumen:2100-2950lm,3000K CRI>90 Efficacy up to:82lm/W

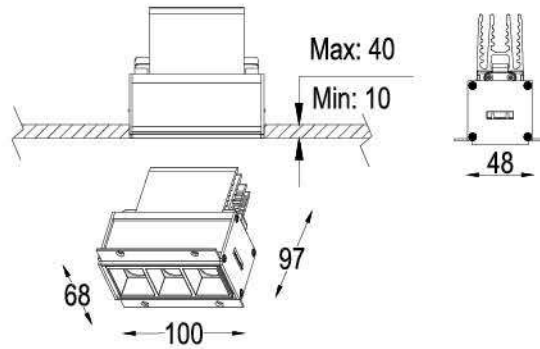
Driver	Version	Optics	LED	Finishes
01 On/Off	900mA MAX: 36W	Narrow	2700K CRI>90 DCM<3	White
02 Triac dimming		Medium	3000K CRI>90 DCM<3	Black
03 1-10V dimming		Wide	4000K CRI>90 DCM<3	
04 Dali dimming		Oval flood		

43W ELRL-43390

Lumen:2500-3500lm,3000K CRI>90 Efficacy up to:82lm/W

Driver	Version	Optics	LED	Finishes
01 On/Off	1050mA MAX: 43W	Narrow	2700K CRI>90 DCM<3	White
02 1-10V dimming		Medium	3000K CRI>90 DCM<3	Black
03 Dali dimming		Wide	4000K CRI>90 DCM<3	
		Oval flood		

RECESSED LINEAR



L104*W50*H140mm
Max:40mm



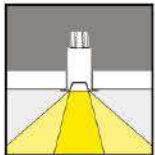
Suitable for AC220-240V 50/60Hz
 Single:IP20
 Control: On/Off, Triac 1-10V,
 Lifetime 35000-50000H



Accessories: Linear spread lens



Regular Darklight
Optional Black

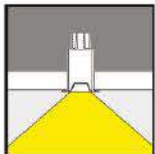


Downlights oval flood

8W ELRL-08100

Lumen:450-650lm,3000K CRI>90 Efficacy up to:82 lm/W

Driver	Version	Optics	LED	Finishes
01 On/Off	180mA MAX: 8W	Narrow	2700K CRI>90 DCM<3	White
02 Triac dimming		Medium	3000K CRI>90 DCM<3	Black
03 1-10V dimming		Wide	4000K CRI>90 DCM<3	
04 Dali dimming		Oval flood		



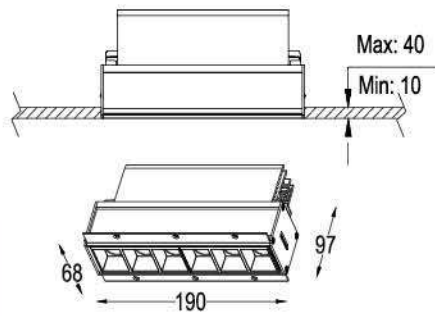
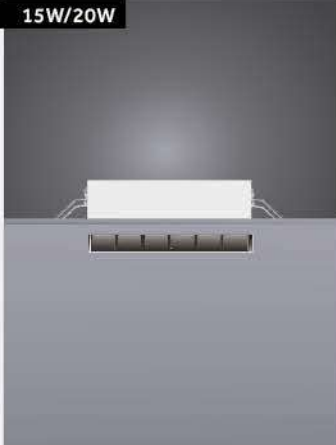
Downlights



11W ELRL-11100

Lumen:650-900lm,3000K CRI>90 Efficacy up to:90 lm/W

Driver	Version	Optics	LED	Finishes
01 On/Off	250mA MAX: 11W	Narrow	2700K CRI>90 DCM<3	White
02 Triac dimming		Medium	3000K CRI>90 DCM<3	Black
03 1-10V dimming		Wide	4000K CRI>90 DCM<3	
04 Dali dimming		Oval flood		

RECESSED LINEAR



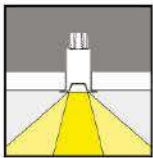
 L194*W50*H140mm
 Max:40mm



Suitable for AC220-240V 50/60Hz
 Single:IP20
 Control: On/Off, Triac 1-10V,
 Lifetime 35000-50000H



Accessories: Linear spread lens

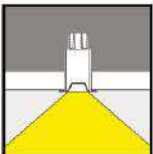


Downlights oval flood

15W ERL-15190

Lumen:900-1250 lm,3000K CRI>90 Efficacy up to:82 lm/W

Driver	Version	Optics	LED	Finishes
01 On/Off	350mA MAX:15W	Narrow	2700K CRI>90 DCM<3	White
02 Triac dimming		Medium	3000K CRI>90 DCM<3	Black
03 1-10V dimming		Wide	4000K CRI>90 DCM<3	
04 Dali dimming		Oval flood		



Downlights

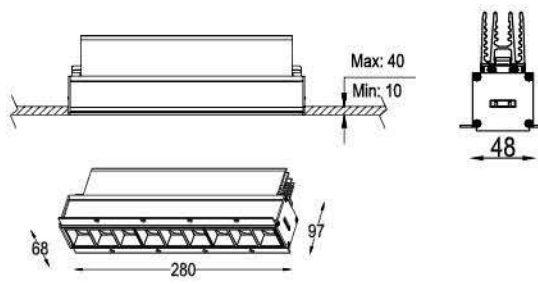
20W ERL-20190

Lumen:1200-1650 lm,3000K CRI>90 Efficacy up to:82 lm/W

Driver	Version	Optics	LED	Finishes
01 On/Off	500mA MAX:20W	Narrow	2700K CRI>90 DCM<3	White
02 Triac dimming		Medium	3000K CRI>90 DCM<3	Black
03 1-10V dimming		Wide	4000K CRI>90 DCM<3	
04 Dali dimming		Oval flood		

RECESSED LINEAR

20W/28W/33W



L284*W50*H140mm
 Max:40mm



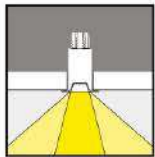
Suitable for AC220-240V 50/60Hz
 Single: IP20
 Control: On/Off, Triac 1-10V,
 Lifetime 35000-50000H



Accessories: Linear spread lens



Regular Darklight Optional Black

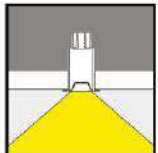


Downlights oval flood

20W ERL-20280

Lumen:1200-1650 lm,3000K CRI>90 Efficacy up to:82 lm/W

Driver	Version	Optics	LED	Finishes
01 On/Off	500mA MAX:20W	Narrow	2700K CRI>90 DCM<3	<input type="checkbox"/> White
02 Triac dimming		Medium	3000K CRI>90 DCM<3	<input checked="" type="checkbox"/> Black
03 1-10V dimming		Wide	4000K CRI>90 DCM<3	
04 Dali dimming		Oval flood		



Downlights

28W ERL-28280

Lumen:1680-2300 lm,3000K CRI>90 Efficacy up to:82 lm/W

Driver	Version	Optics	LED	Finishes
01 On/Off	700mA MAX:28W	Narrow	2700K CRI>90 DCM<3	<input type="checkbox"/> White
02 Triac dimming		Medium	3000K CRI>90 DCM<3	<input checked="" type="checkbox"/> Black
03 1-10V dimming		Wide	4000K CRI>90 DCM<3	
04 Dali dimming		Oval flood		

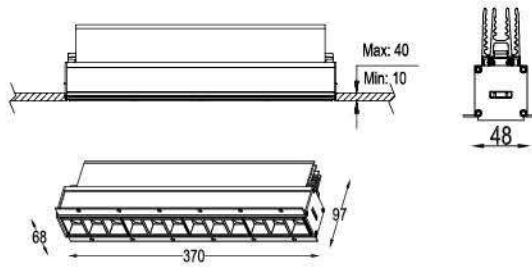
33W ERL-33280

Lumen:2000-2700 lm,3000K CRI>90 Efficacy up to:82 lm/W

Driver	Version	Optics	LED	Finishes
01 On/Off	800mA MAX:33W	Narrow	2700K CRI>90 DCM<3	<input type="checkbox"/> White
02 Triac dimming		Medium	3000K CRI>90 DCM<3	<input checked="" type="checkbox"/> Black
03 1-10V dimming		Wide	4000K CRI>90 DCM<3	
04 Dali dimming		Oval flood		

RECESSED LINEAR

28W/36W/43W



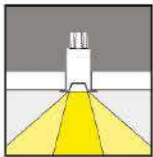
L374*W50*H140mm
Max:40mm



Suitable for AC220-240V 50/60Hz
Single:IP20
Control: On/Off, Triac 1-10V,
Lifetime 35000-50000H



Accessories: Linear spread lens

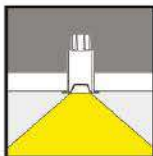


Downlights oval flood

28W ELRL-28370

Lumen:1680-2300 lm,3000K CRI>90 Efficacy up to:82 lm/W

Driver	Version	Optics	LED	Finishes
01 On/Off	700mA MAX:28W	Narrow	2700K CRI>90 DCM<3	White
02 Triac dimming		Medium	3000K CRI>90 DCM<3	Black
03 1-10V dimming		Wide	4000K CRI>90 DCM<3	
04 Dall dimming		Oval flood		



Downlights

36W ELRL-36370

Lumen:2100-2950 lm,3000K CRI>90 Efficacy up to:82 lm/W

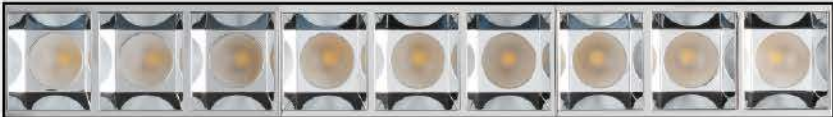
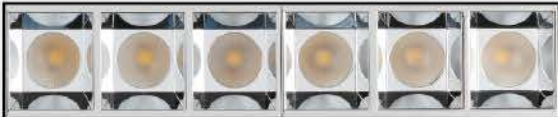
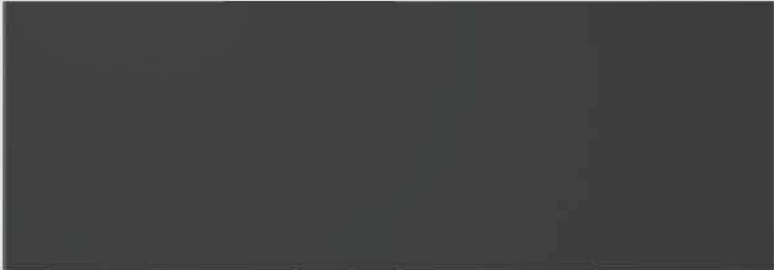
Driver	Version	Optics	LED	Finishes
01 On/Off	900mA MAX:36W	Narrow	2700K CRI>90 DCM<3	White
02 Triac dimming		Medium	3000K CRI>90 DCM<3	Black
03 1-10V dimming		Wide	4000K CRI>90 DCM<3	
04 Dall dimming		Oval flood		

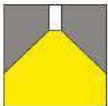
43W ELRL-43370

Lumen:2500-3500 lm,3000K CRI>90 Efficacy up to:82 lm/W

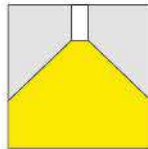
Driver	Version	Optics	LED	Finishes
01 On/Off	1050mA MAX:43W	Narrow	2700K CRI>90 DCM<3	White
02 1-10V dimming		Medium	3000K CRI>90 DCM<3	Black
03 Dall dimming		Wide	4000K CRI>90 DCM<3	
		Oval flood		

Surface Linear



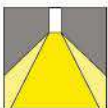


General lighting
Ambient lighting produced by wide beam light distribution.

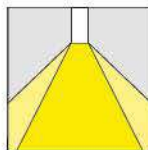


Downlights
Rotationally symmetrical or axially symmetrical, wide beam light distribution for general lighting.

LED module
15W - 43W
850lm - 3960lm
Light distribution: Narrow, Medium, Wide



Linear lighting
Linear general lighting for spatial structuring and the illumination of zones and pathways



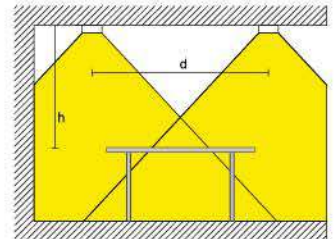
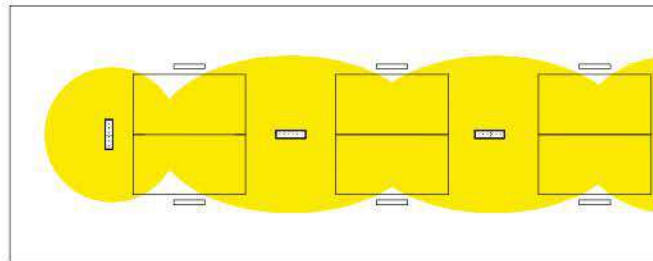
Downlights oval flood
Axially symmetrical light distribution for linear lighting.

LED module
15W - 43W
850lm - 3960lm
Light distribution: Oval flood

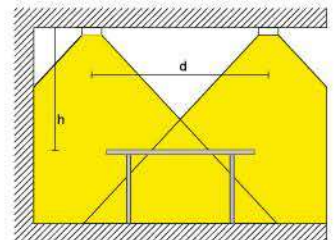
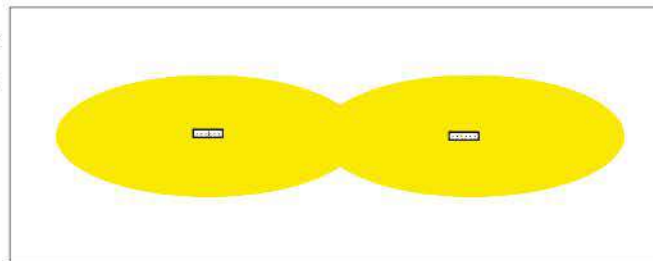
SURFACE LINEAR

SURFACE-MOUNTED LINEAR provides two different light distribution options to lighting designs, Flexible lighting solution with high illumination and visual comfort apply to office, public area, commercial area, restaurant and other applications.

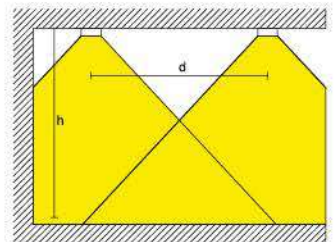
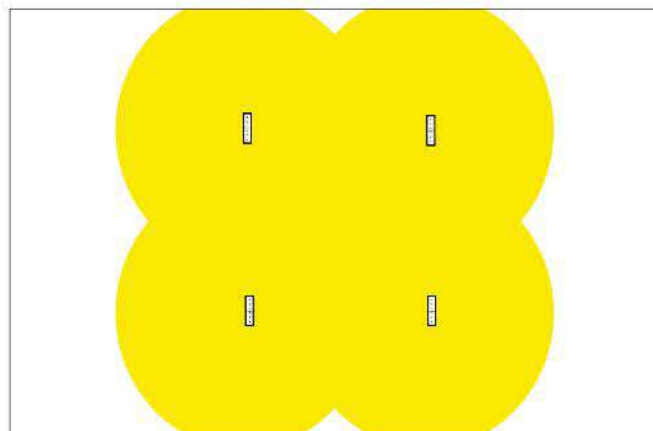
In the office, with optimal uniformity and good facial recognition, the luminaire spacing (d) may be up to 1.5 times the height (h) of the luminaire above the working plane.
 $d \leq 1.5xh$



In the hallway or any narrow but long applications, select the elongation lens to achieve the uniformity, the luminaire spacing (d) can be 1.5 times the height (h) of the luminaire above the floor.
 $d \leq 1.5xh$

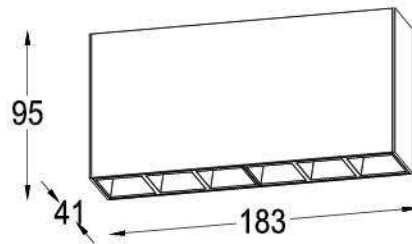


In the office and public architecture application, as the general installation guide to achieve the uniformity, the luminaire spacing (d) can be 1.3 times the height (h) of the luminaire above the floor.
 $d \leq 1.3xh$



SURFACE LINEAR

15W/20W



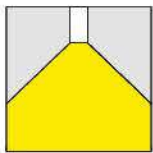
Suitable for AC220-240V 50/60Hz
 Single: IP20
 Control: On/Off, Triac 1-10V,
 Lifetime 35000-50000H



Accessories: Linear spread lens



Regular Darklight Optional Black

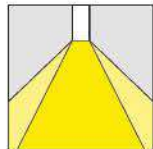


Downlights oval flood

15W ELSL-15183

Lumen: 900-1250 lm, 3000K CRI > 90 Efficacy up to: 82 lm/W

Driver	Version	Optics	LED	Finishes
01 On/Off	350mA MAX: 15W	Narrow	2700K CRI > 90 DCM < 3	White
02 1-10V dimming		Medium	3000K CRI > 90 DCM < 3	Grey
03 DALI dimming		Wide	4000K CRI > 90 DCM < 3	Black
		Oval flood		



Downlights

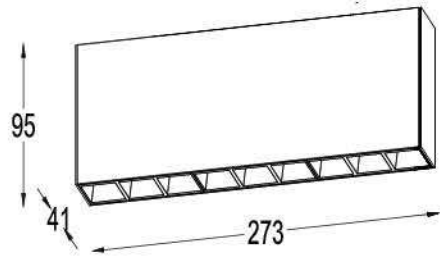
20W ELSL-20183

Lumen: 1200-1650 lm, 3000K CRI > 90 Efficacy up to: 82 lm/W

Driver	Version	Optics	LED	Finishes
01 On/Off	500mA MAX: 20W	Narrow	2700K CRI > 90 DCM < 3	White
02 1-10V dimming		Medium	3000K CRI > 90 DCM < 3	Grey
03 DALI dimming		Wide	4000K CRI > 90 DCM < 3	Black
		Oval flood		

SURFACE LINEAR

20W/28W/33W



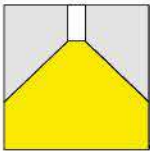
Suitable for AC220-240V 50/60Hz
 Single: IP20
 Control: On/Off, Triac 1-10V,
 Lifetime 35000-50000H



Accessories: Linear spread lens



Regular **Optional**
 Darklight Black

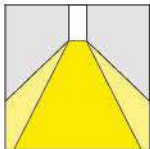


Downlights oval flood

20W ELSL-20273

Lumen:1200-1650 lm,3000K CRI>90 Efficacy up to:82 lm/W

Driver	Version	Optics	LED	Finishes
01 On/Off	500mA MAX:20W	Narrow	2700K CRI>90 DCM<3	White
02 1-10V dimming		Medium	3000K CRI>90 DCM<3	Grey
03 Dali dimming		Wide	4000K CRI>90 DCM<3	Black
		Oval flood		



Downlights

28W ELSL-28273

Lumen:1680-2300 lm,3000K CRI>90 Efficacy up to:82 lm/W

Driver	Version	Optics	LED	Finishes
01 On/Off	700mA MAX:28W	Narrow	2700K CRI>90 DCM<3	White
02 1-10V dimming		Medium	3000K CRI>90 DCM<3	Grey
03 Dali dimming		Wide	4000K CRI>90 DCM<3	Black
		Oval flood		

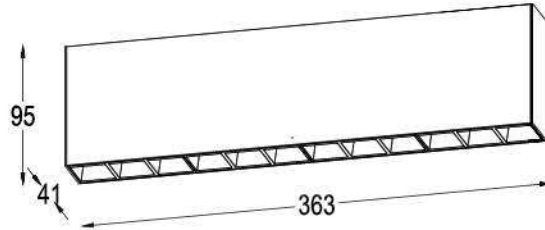
33W ELSL-33273

Lumen:2000-2700 lm,3000K CRI>90 Efficacy up to:82 lm/W

Driver	Version	Optics	LED	Finishes
01 On/Off	800mA MAX:33W	Narrow	2700K CRI>90 DCM<3	White
02 1-10V dimming		Medium	3000K CRI>90 DCM<3	Grey
03 Dali dimming		Wide	4000K CRI>90 DCM<3	Black
		Oval flood		

SURFACE LINEAR

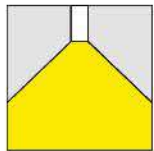
28W/36W/43W



Suitable for AC220-240V 50/60Hz
 Single: IP20
 Control: On/Off, Triac 1-10V,
 Lifetime 35000-50000H



Accessories: Linear spread lens

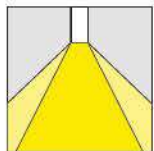


Downlights oval flood

28W ELSL-28363

Lumen:1680-2300 lm,3000K CRI>90 Efficacy up to:82 lm/W

Driver	Version	Optics	LED	Finishes
01 On/Off	700mA MAX: 28W	Narrow	2700K CRI>90 DCM<3	White
02 1-10V dimming		Medium	3000K CRI>90 DCM<3	Grey
03 Dali dimming		Wide	4000K CRI>90 DCM<3	Black
		Oval flood		



Downlights

36W ELSL-36363

Lumen:2100-2950 lm,3000K CRI>90 Efficacy up to:82 lm/W

Driver	Version	Optics	LED	Finishes
01 On/Off	900mA MAX: 36W	Narrow	2700K CRI>90 DCM<3	White
02 1-10V dimming		Medium	3000K CRI>90 DCM<3	Grey
03 Dali dimming		Wide	4000K CRI>90 DCM<3	Black
		Oval flood		

43W ELSL-43363

Lumen:2500-3500 lm,3000K CRI>90 Efficacy up to:82 lm/W

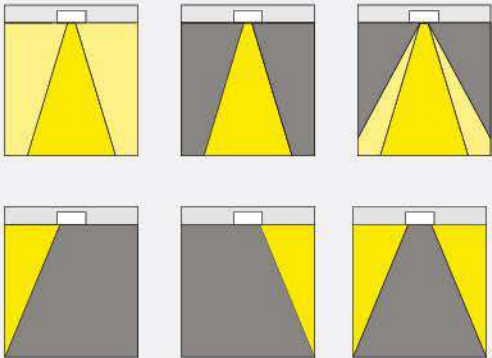
Driver	Version	Optics	LED	Finishes
01 On/Off	1050mA MAX: 43W	Narrow	2700K CRI>90 DCM<3	White
02 1-10V dimming		Medium	3000K CRI>90 DCM<3	Grey
03 Dali dimming		Wide	4000K CRI>90 DCM<3	Black
		Oval flood		

RECESSED SQUARE

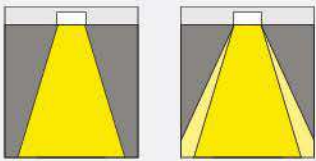
Recessed Square



Accent lighting

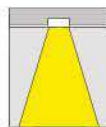


General lighting





General lighting

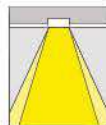


Downlights

Wide beam, rotationally symmetrical light distribution for general lighting

LED module

33W
2000lm - 2500 lm
Light distribution: Wide flood

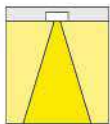


Downlights oval flood

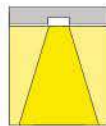
Axially symmetrical light distribution for linear lighting.

LED module

33W
2000lm - 2500 lm
Light distribution: Oval flood



Accent lighting

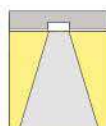


Double wallwashers+General lighting

Axially symmetrical light distribution for illumination of parallel walls in corridors and hallways, with downwards-directed light for the general illumination

LED module

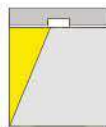
33W
1500lm - 2000 lm
Light distribution: Wallwash+Wide flood



With wireless intelligent control driver, individual controllable, double wallwashers

LED module

22W
1000lm - 1200 lm
Light distribution: Wallwash



With wireless intelligent control driver, individual controllable, one-side wallwasher

LED module

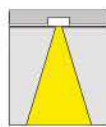
11W
500lm - 700 lm
Light distribution: Wallwash



With wireless intelligent control driver, individual controllable, one-side wallwasher

LED module

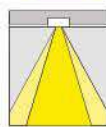
11W
500lm - 700 lm
Light distribution: Wallwash



With wireless intelligent control driver, individual controllable, downwards-directed light for general lighting

LED module

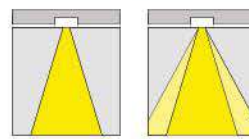
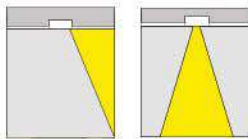
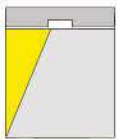
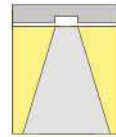
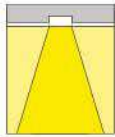
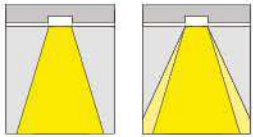
11W
500lm - 700 lm
Light distribution: Wide flood



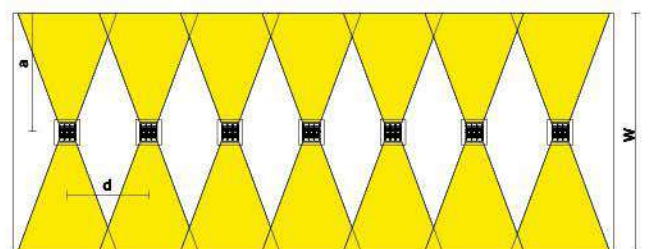
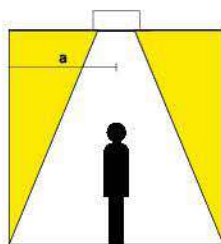
LED module

11W
500lm - 700 lm
Light distribution: Oval wide flood

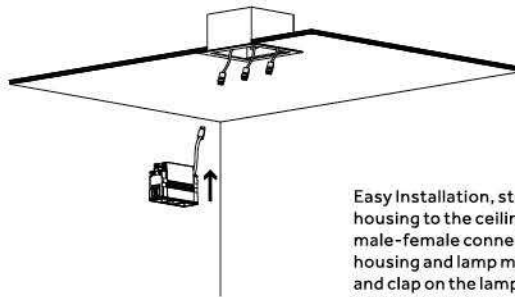
RECESSED SQUARE



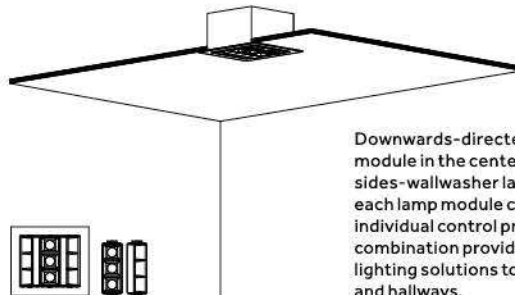
This is an ideal product for 1.8m-2.8 width corridor, the best width is 2.4m. As the general installation guide, the fitting should be installed at the 1/2 point to the width of corridor, luminaire spacing (d) can be 1.1 times 1/2 width of corridor.
 $a = 1/2 \times w$
 $d < 1.1 \times a$



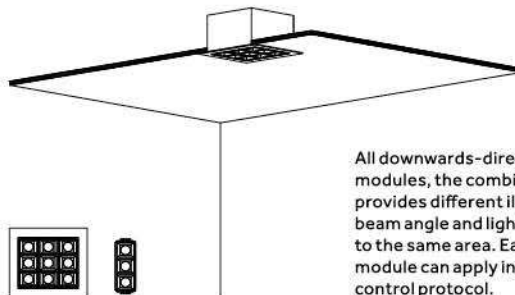
RECESSED SQUARE



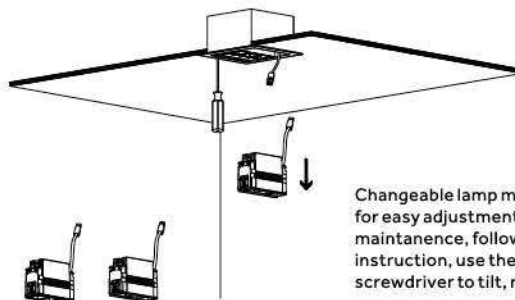
Easy Installation, step1. Install the recessed housing to the ceiling. step2. plug in the male-female connector between recessed housing and lamp module. step3. push and clap on the lamp module to the recessed housing.



Downwards-directed light lamp module in the center + both sides-wallwasher lamp module, each lamp module can apply individual control protocol, the combination provides different lighting solutions to the corridors and hallways.

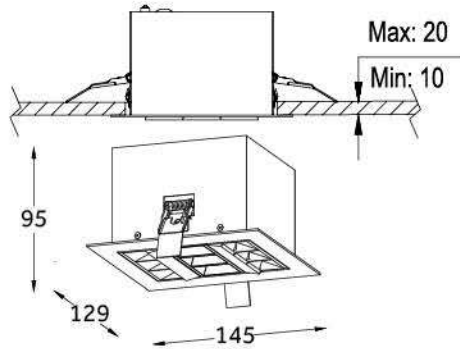


All downwards-directed light lamp modules, the combination provides different illuminance, beam angle and light distribution to the same area. Each lamp module can apply individual control protocol.



Changeable lamp module for easy adjustment and maintenance, follow our instruction, use the slot type screwdriver to tilt, remove

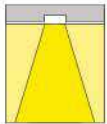
RECESSED SQUARE



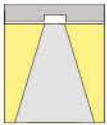
 L124*W115*H120mm
 Max:20mm



Suitable for AC220-240V 50/60Hz
 Single:IP20
 Control: On/Off, Triac 1-10V,
 Lifetime 35000-50000H



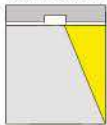
Downlights
 3x250mA 36V MAX:33W



Double wallwashers
 2x250mA 36V MAX:22W



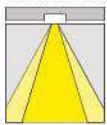
Wallwashers
 250mA 36V MAX:11W



Wallwashers
 250mA 36V MAX:11W






Downwards-directed general lighting
 250mA 36V MAX:11W



Downwards-directed general lighting
 250mA 36V MAX:11W

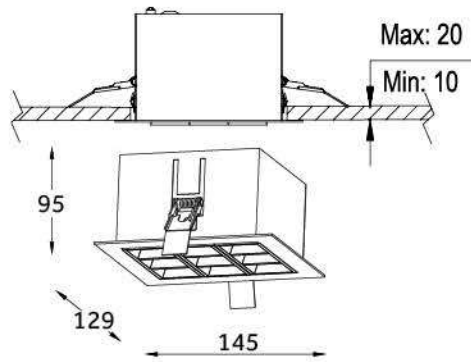
33W ELRQ-33145-ASY

Lumen:500-1500lm,3000K CRI>90 Efficacy up to:82lm/W

Driver	Version	Optics	LED	Finishes
01 On/Off	MAX: 33W	Various of light distribution	2700K CRI>90 DCM<3	 White
02 Triac dimming			3000K CRI>90 DCM<3	 Grey
03 1-10V dimming			4000K CRI>90 DCM<3	 Black
04 Dali dimming				

RECESSED SQUARE

33W



 L124*W115*H120mm

 Max:20mm



Suitable for AC220-240V 50/60Hz
 Single: IP20
 Control: On/Off, Triac 1-10V,
 Lifetime 35000-50000H



Accessories: Linear spread lens



Regular Darklight
Optional Black

33W ELRQ-33145

Lumen:2000-2500lm,3000K CRI>90 Efficacy up to:82lm/W

Driver	Version	Optics	LED	Finishes
01 On/Off	MAX: 33W	Narrow	2700K CRI>90 DCM<3	White
02 Triac dimming		Medium	3000K CRI>90 DCM<3	Grey
03 1-10V dimming		Wide	4000K CRI>90 DCM<3	Black
04 Dali dimming		Oval flood		

Track Linear



1-10V dimming
available with 3-circuit adapter

TRACK LINEAR is an ideal product for the commercial sector. With the power of 20W it can be installed at 3/4m obtaining in any case the desired illumination and thanks to the anti-glare optics, $UGR \leq 12$, ensures a high level of visual comfort.

TRACK LINEAR



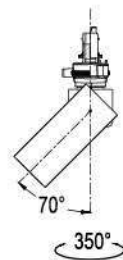
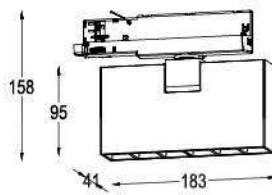
Suitable for AC220-240V 50/60Hz
 Single: IP20
 Control: On/Off, Triac 1-10V,
 Lifetime 35000-50000H



Accessories: Linear spread lens



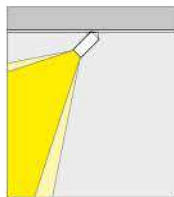
Regular Darklight Optional Black



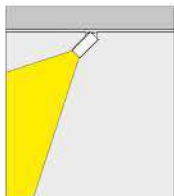
20W ETLT-20183

Lumen: 1400-1700 lm, 3000K CRI>90 Efficacy up to: 92 lm/W

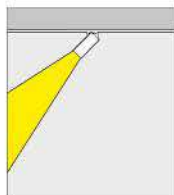
Driver	Version	Optics	LED	Finishes
01 On/Off	500mA MAX: 20W	Narrow	2700K CRI>90 DCM<3	White
02 Triac dimming		Medium	3000K CRI>90 DCM<3	Black
03 1-10V dimming		Wide	4000K CRI>90 DCM<3	
04 Dali dimming		Oval flood		



Light distribution:
Spot, Flood



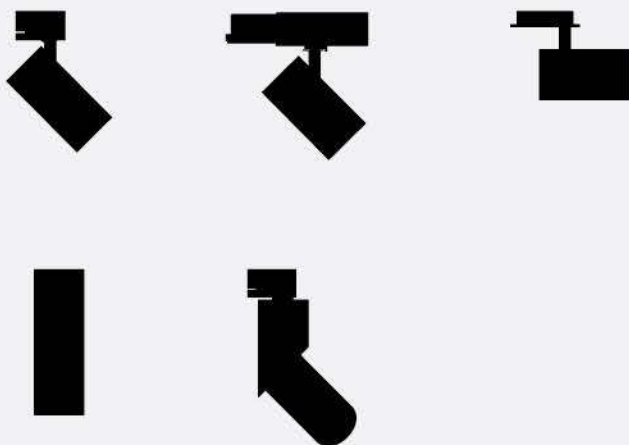
Light distribution:
Wide flood, Extra wide flood



Light distribution:
Oval flood

The innovation of accent lighting

SPOT LIGHTS





This series of spotlights is based on a central module to which the other components can be matched.

And now it extends its range to be even more functional in various applications. Minimum or medium dimensions, visible or invisible, from track or pendant, ceiling or recessed, lens or reflector: these are the ingredients to match as you like to get the best result.

TRACK LIGHT

Track Light

The TRACK LIGHT design features perfect details with essential lines and variety of optical modules and anti-glare accessories in a high-level product. Based on the special lighting requirements such as the output of the luminous flux, lighting, light distribution or UGR, Track Light covers the entire range of lighting applications with its 1 circuit adapter or 3 circuits.



White



Grey



Black



WHITE / BLACK / GREY / GOLDEN
ANTI-GLARE SHIELD available on request

With innovative optical guide-light accessory, it improves visual comfort, light distribution, delivers glare-free performance. Excellent thermal management reduces the internal temperature of the housing and ensures the quality of the luminous flux.

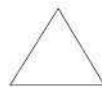
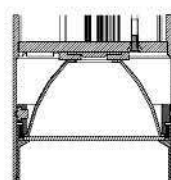
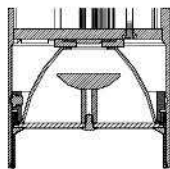
Light Guider



Reflector



Lens

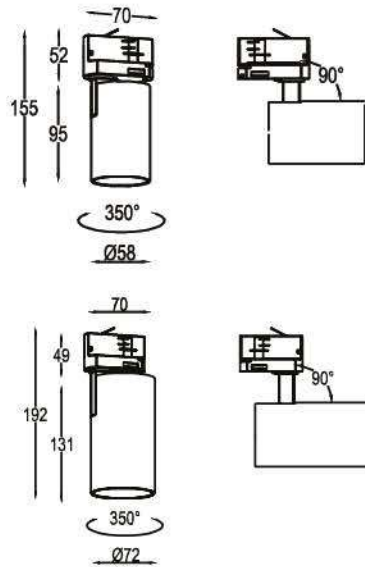


Reflector performance - higher lumen output and lower UGR

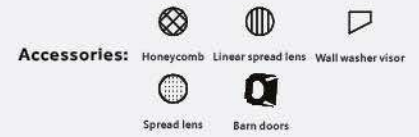
Lens performance - very lower beam and higher illuminance

TRACK

7W/10W 15W/20W



Suitable for AC220-240V 50/60Hz
 Single: IP20
 Control: On/Off, Triac 1-10V,
 Lifetime 35000-50000H



7W ELTL-0758-I

Lumen: 450-670 lm, 3000K CRI > 90 Efficacy up to: 90 lm/W

Driver	Version	Optics	LED	Finishes
01 On/Off	180mA MAX: 7W	Narrow	2700K CRI > 90 DCM < 3	White
02 Triac dimming		Medium	3000K CRI > 90 DCM < 3	Grey
		Wide	3500K CRI > 90 DCM < 3	Black
		Super wide	4000K CRI > 90 DCM < 3	

10W ELTL-1058-I

Lumen: 650-950 lm, 3000K CRI > 90 Efficacy up to: 90 lm/W

Driver	Version	Optics	LED	Finishes
01 On/Off	250mA MAX: 10W	Narrow	2700K CRI > 90 DCM < 3	White
02 Triac dimming		Medium	3000K CRI > 90 DCM < 3	Grey
		Wide	3500K CRI > 90 DCM < 3	Black
		Super wide	4000K CRI > 90 DCM < 3	

15W ELTL-1572-I

Lumen: 750-1500 lm, 3000K CRI > 90 Efficacy up to: 95 lm/W

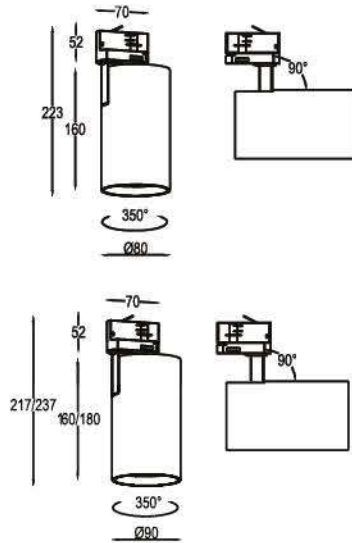
Driver	Version	Optics	LED	Finishes
01 On/Off	350mA MAX: 15W	Narrow	2700K CRI > 90 DCM < 3	White
02 Triac dimming		Medium	3000K CRI > 90 DCM < 3	Grey
		Wide	3500K CRI > 90 DCM < 3	Black
		Super wide	4000K CRI > 90 DCM < 3	

20W ELTL-2072-I

Lumen: 1300-2000 lm, 3000K CRI > 90 Efficacy up to: 92 lm/W

Driver	Version	Optics	LED	Finishes
01 On/Off	500mA MAX: 20W	Narrow	2700K CRI > 90 DCM < 3	White
02 Triac dimming		Medium	3000K CRI > 90 DCM < 3	Grey
		Wide	3500K CRI > 90 DCM < 3	Black
		Super wide	4000K CRI > 90 DCM < 3	

20W/28W 28W/36W



Suitable for AC220-240V 50/60Hz
 Single:IP20
 Control:On/Off, Triac dimming;
 Lifetime 35000-50000H



20W ELTL-2080-I

Lumen:1300-2000lm,3000K CRI>90 Efficacy up to:92 lm/W

Driver	Version	Optics	LED	Finishes
01 On/Off	500mA MAX: 20W	Narrow	2700K CRI>90 DCM<3	White
02 Triac dimming		Medium	3000K CRI>90 DCM<3	Grey
		Wide	3500K CRI>90 DCM<3	Black
		Super wide	4000K CRI>90 DCM<3	

28W ELTL-2880-I

[Customized]

Lumen:1820-2520lm,3000K CRI>90 Efficacy up to:90 lm/W

Driver	Version	Optics	LED	Finishes
01 On/Off	700mA MAX: 28W	Narrow	2700K CRI>90 DCM<3	White
02 Triac dimming		Medium	3000K CRI>90 DCM<3	Grey
		Wide	3500K CRI>90 DCM<3	Black
		Super wide	4000K CRI>90 DCM<3	

28W ELTL-2890-I

Lumen:1820-2520lm,3000K CRI>90 Efficacy up to:90 lm/W

Driver	Version	Optics	LED	Finishes
01 On/Off	700mA MAX: 28W	Narrow	2700K CRI>90 DCM<3	White
02 Triac dimming		Medium	3000K CRI>90 DCM<3	Grey
		Wide	3500K CRI>90 DCM<3	Black
		Super wide	4000K CRI>90 DCM<3	

36W ELTL-3690-I

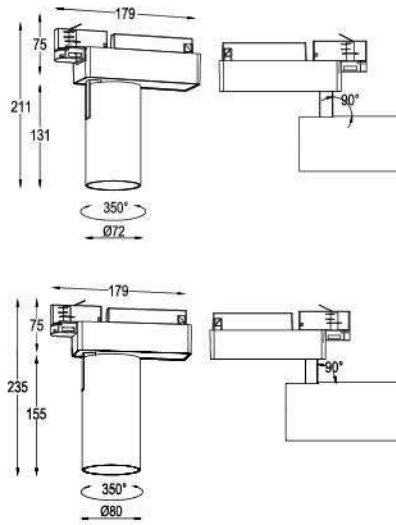
[Customized]

Lumen:2340-3240lm,3000K CRI>90 Efficacy up to:90 lm/W

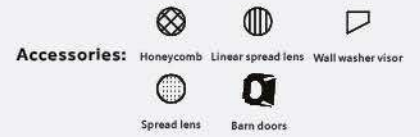
Driver	Version	Optics	LED	Finishes
01 On/Off	900mA MAX: 36W	Narrow	2700K CRI>90 DCM<3	White
02 Triac dimming		Medium	3000K CRI>90 DCM<3	Grey
		Wide	3500K CRI>90 DCM<3	Black
		Super wide	4000K CRI>90 DCM<3	

TRACK

15W/20W 20W/28W



Suitable for AC220-240V 50/60Hz
 Single: IP20
 Control: On/Off, Triac 1-10V,
 Lifetime 35000-50000H



15W ELTL-1572-E

Lumen: 750-1500lm, 3000K CRI>90 Efficacy up to: 95 lm/W

Driver	Version	Optics	LED	Finishes
01 On/Off	350mA MAX: 15W	Narrow	2700K CRI>90 DCM<3	White
02 Triac dimming		Medium	3000K CRI>90 DCM<3	Grey
		Wide	3500K CRI>90 DCM<3	Black
		Super wide	4000K CRI>90 DCM<3	

20W ELTL-2072-E

Lumen: 1300-2000lm, 3000K CRI>90 Efficacy up to: 92 lm/W

Driver	Version	Optics	LED	Finishes
01 On/Off	500mA MAX: 20W	Narrow	2700K CRI>90 DCM<3	White
02 Triac dimming		Medium	3000K CRI>90 DCM<3	Grey
		Wide	3500K CRI>90 DCM<3	Black
		Super wide	4000K CRI>90 DCM<3	

20W ELTL-2090-E

Lumen: 1300-2000lm, 3000K CRI>90 Efficacy up to: 92 lm/W

Driver	Version	Optics	LED	Finishes
01 On/Off	500mA MAX: 20W	Narrow	2700K CRI>90 DCM<3	White
02 Triac dimming		Medium	3000K CRI>90 DCM<3	Grey
		Wide	3500K CRI>90 DCM<3	Black
		Super wide	4000K CRI>90 DCM<3	

28W ELTL-2890-E

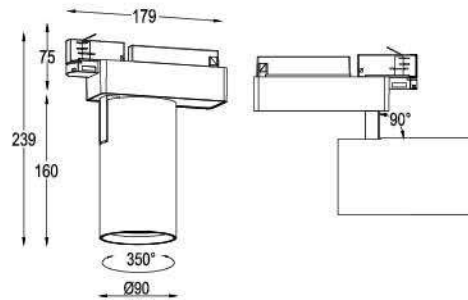
Lumen: 1820-2520lm, 3000K CRI>90 Efficacy up to: 90 lm/W

Driver	Version	Optics	LED	Finishes
01 On/Off	700mA MAX: 28W	Narrow	2700K CRI>90 DCM<3	White
02 Triac dimming		Medium	3000K CRI>90 DCM<3	Grey
		Wide	3500K CRI>90 DCM<3	Black
		Super wide	4000K CRI>90 DCM<3	

TRACK



Suitable for AC220-240V 50/60Hz
 Single: IP20
 Control: On/Off, Triac 1-10V,
 Lifetime 35000-50000H



28W ELTL-2890-E

Lumen: 1820-2520 lm, 3000K CRI>90 Efficacy up to: 90 lm/W

Driver	Version	Optics	LED	Finishes
01 On/Off	700mA MAX: 28W	Narrow	2700K CRI>90 DCM<3	White
02 Triac dimming		Medium	3000K CRI>90 DCM<3	Grey
		Wide	3500K CRI>90 DCM<3	Black
		Super wide	4000K CRI>90 DCM<3	

36W ELTL-3690-E

Lumen: 2340-3240 lm, 3000K CRI>90 Efficacy up to: 90 lm/W

Driver	Version	Optics	LED	Finishes
01 On/Off	900mA MAX: 36W	Narrow	2700K CRI>90 DCM<3	White
02 Triac dimming		Medium	3000K CRI>90 DCM<3	Grey
		Wide	3500K CRI>90 DCM<3	Black
		Super wide	4000K CRI>90 DCM<3	

Mini Track



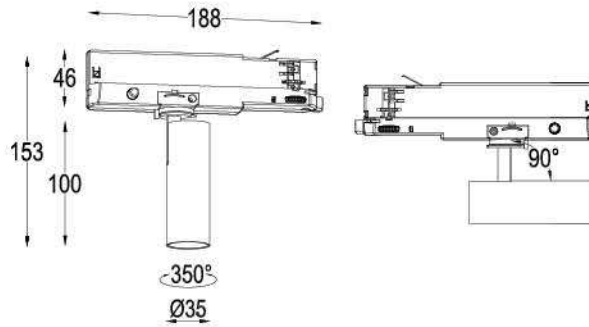
Finish:



Different finishing all with black anti-angle shade.

MINI TRACK

7W/10W



Suitable for AC220-240V 50/60Hz
 Single: IP20
 Control: On/Off, Triac 1-10V,
 Lifetime 35000-50000H



7W ELTL-0735-E

Lumen: 450-580lm, 3000K CRI>90 Efficacy up to: 83lm/W

Driver	Version	Optics	LED	Finishes
01 On/Off	12V 500mA MAX: 7W	Narrow	2700K CRI>90 DCM<3	White
02 Triac dimming		Wide	3000K CRI>90 DCM<3	Grey
03 1-10V dimming			3500K CRI>90 DCM<3	Black
			4000K CRI>90 DCM<3	

10W ELTL-1035-E

Lumen: 550-800lm, 3000K CRI>90 Efficacy up to: 80lm/W

Driver	Version	Optics	LED	Finishes
01 On/Off	12V 700mA MAX: 10W	Narrow	2700K CRI>90 DCM<3	White
02 Triac dimming		Wide	3000K CRI>90 DCM<3	Grey
03 1-10V dimming			3500K CRI>90 DCM<3	Black
			4000K CRI>90 DCM<3	

Adapter Track

Series of ADAPTERS with integrated driver for TRACK LIGHT, the integrated power supply to the track adaptor leaves more room for the unit and improves heat dissipation, optimizes the power of the installation system. The clean and elegant design features details with a concise line. Many of the optical modules and anti-glare accessories available with the corresponding 1 or 3 circuit adaptor fit to different lighting applications. Non-Dimmable driver, Triac Dimming, 1-10V Dimming driver available on request.



With innovative optical guide-light accessory, it improves visual comfort, light distribution, delivers glare-free performance. Excellent thermal management reduces the internal temperature of the housing and ensures the quality of the luminous flux.

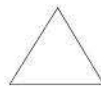
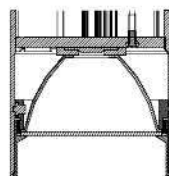
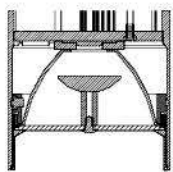
Light Guider



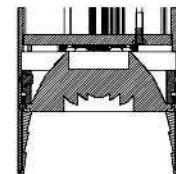
Reflector



Lens



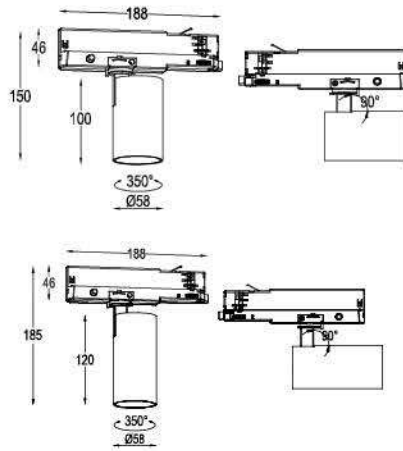
Reflector performance - higher lumen output and lower UGR



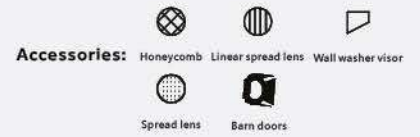
Lens performance - very lower beam and higher illuminance

ADAPTER TRACK

10W/15W 20W



Suitable for AC220-240V 50/60Hz
 Single: IP20
 Control: On/Off, Triac 1-10V,
 Lifetime 35000-50000H



10W ELTLA-1058

Lumen: 650-950lm, 3000K CRI>90 Efficacy up to: 90lm/W

Driver	Version	Optics	LED	Finishes
01 On/Off	250mA MAX: 10W	Narrow	2700K CRI>90 DCM<3	White
02 Triac dimming		Medium	3000K CRI>90 DCM<3	Grey
03 1-10V dimming		Wide	3500K CRI>90 DCM<3	Black
		Super wide	4000K CRI>90 DCM<3	

15W ELTLA-1558

Lumen: 750-1500lm, 3000K CRI>90 Efficacy up to: 95lm/W

Driver	Version	Optics	LED	Finishes
01 On/Off	350mA MAX: 15W	Narrow	2700K CRI>90 DCM<3	White
02 Triac dimming		Medium	3000K CRI>90 DCM<3	Grey
03 1-10V dimming		Wide	3500K CRI>90 DCM<3	Black
04 Dali dimming		Super wide	4000K CRI>90 DCM<3	

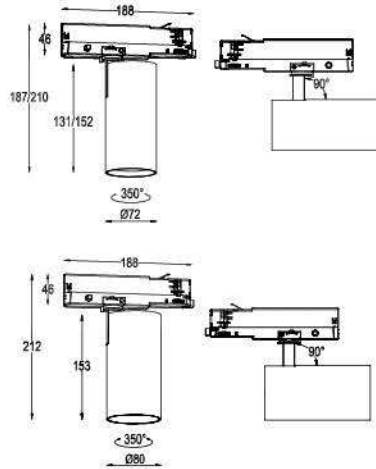
20W ELTLA-2058

Lumen: 1300-2000lm, 3000K CRI>90 Efficacy up to: 92lm/W

Driver	Version	Optics	LED	Finishes
01 On/Off	500mA MAX: 20W	Narrow	2700K CRI>90 DCM<3	White
02 Triac dimming		Medium	3000K CRI>90 DCM<3	Grey
03 1-10V dimming		Wide	3500K CRI>90 DCM<3	Black
04 Dali dimming		Super wide	4000K CRI>90 DCM<3	

ADAPTER TRACK

20W/28W 28W/36W



Suitable for AC220-240V 50/60Hz
 Single: IP20
 Control: On/Off, Triac 1-10V,
 Lifetime 35000-50000H



20W ELTLA-2072

Lumen:1300-2000lm,3000K CRI>90 Efficacy up to:92lm/W

Driver	Version	Optics	LED	Finishes
01 On/Off	500mA MAX: 20W	Narrow	2700K CRI>90 DCM<3	White
02 Triac dimming		Medium	3000K CRI>90 DCM<3	Grey
03 1-10V dimming		Wide	3500K CRI>90 DCM<3	Black
04 DalI dimming		Super wide	4000K CRI>90 DCM<3	

28W ELTLA-2872

Lumen:1820-2520lm,3000K CRI>90 Efficacy up to:90lm/W

Driver	Version	Optics	LED	Finishes
01 On/Off	700mA MAX: 28W	Narrow	2700K CRI>90 DCM<3	White
02 Triac dimming		Medium	3000K CRI>90 DCM<3	Grey
03 1-10V dimming		Wide	3500K CRI>90 DCM<3	Black
04 DalI dimming		Super wide	4000K CRI>90 DCM<3	

28W ELTLA-2880

Lumen:1825-2540lm,3000K CRI>90 Efficacy up to:91lm/W

Driver	Version	Optics	LED	Finishes
01 On/Off	700mA MAX: 28W	Narrow	2700K CRI>90 DCM<3	White
02 Triac dimming		Medium	3000K CRI>90 DCM<3	Grey
03 1-10V dimming		Wide	3500K CRI>90 DCM<3	Black
04 DalI dimming		Super wide	4000K CRI>90 DCM<3	

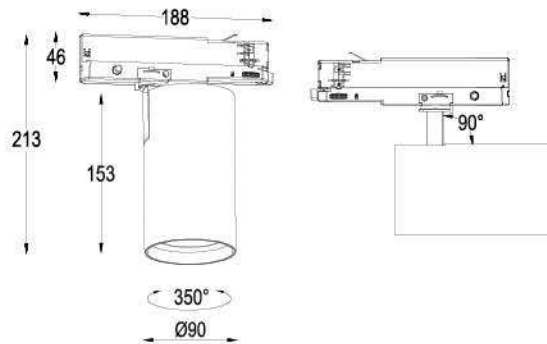
36W ELTLA-3680

Lumen:2340-3240lm,3000K CRI>90 Efficacy up to:90lm/W

Driver	Version	Optics	LED	Finishes
01 On/Off	900mA MAX: 36W	Narrow	2700K CRI>90 DCM<3	White
02 Triac dimming		Medium	3000K CRI>90 DCM<3	Grey
03 1-10V dimming		Wide	3500K CRI>90 DCM<3	Black
		Super wide	4000K CRI>90 DCM<3	

ADAPTER TRACK

28W/36W



Suitable for AC220-240V 50/60Hz
 Single: IP20
 Control: On/Off, Triac 1-10V,
 Lifetime 35000-50000H



28W ELTLA-2890

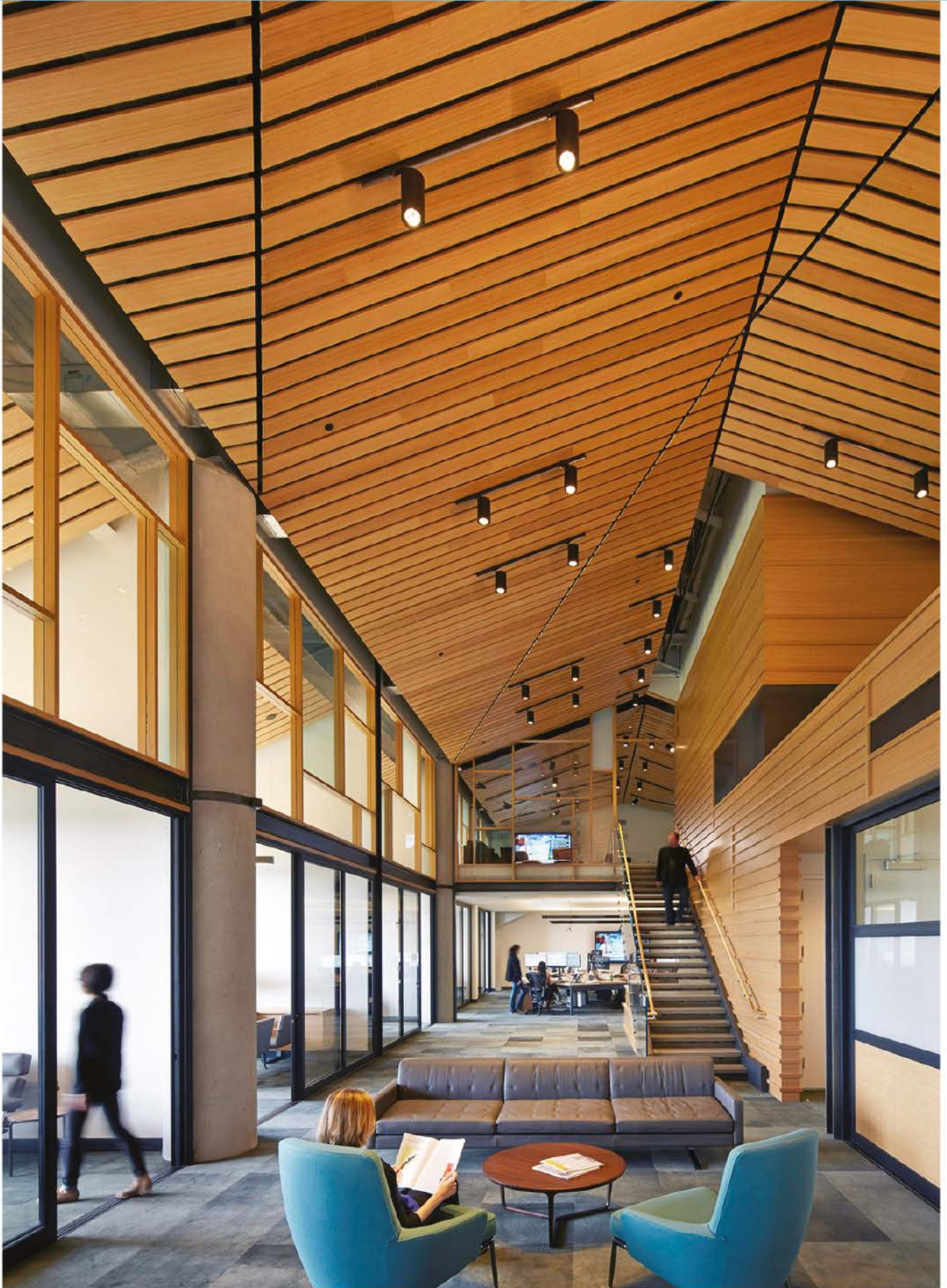
Lumen: 1825-2540 lm, 3000K CRI>90 Efficacy up to: 91 lm/W

Driver	Version	Optics	LED	Finishes
01 On/Off	700mA MAX: 28W	Narrow	2700K CRI>90 DCM<3	White
02 Triac dimming		Medium	3000K CRI>90 DCM<3	Grey
03 1-10V dimming		Wide	3500K CRI>90 DCM<3	Black
04 Dali dimming		Super wide	4000K CRI>90 DCM<3	

36W ELTLA-3690

Lumen: 2340-3240 lm, 3000K CRI>90 Efficacy up to: 90 lm/W

Driver	Version	Optics	LED	Finishes
01 On/Off	900mA MAX: 36W	Narrow	2700K CRI>90 DCM<3	White
02 Triac dimming		Medium	3000K CRI>90 DCM<3	Grey
03 1-10V dimming		Wide	3500K CRI>90 DCM<3	Black
		Super wide	4000K CRI>90 DCM<3	



Ceiling Recessed

The CEILING AND RECESSED SPOT, with adjustable design, has perfect details with essential lines and a variety of high-quality optical and anti-glare accessories. Based on special lighting requirements such as lumen production, lighting type, light distribution or UGR, these adjustable spotlights have two installation options: surface and recessed.

Ceiling



White



Grey



Recessed



Black



WHITE / BLACK / GREY / GOLDEN
ANTI-GLARE SHIELD available on request

With innovative optical guide-light accessory, it improves visual comfort, light distribution, delivers glare-free performance. Excellent thermal management reduces the internal temperature of the housing and ensures the quality of the luminous flux.

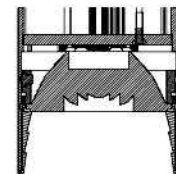
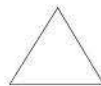
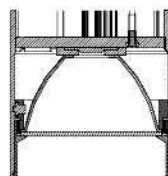
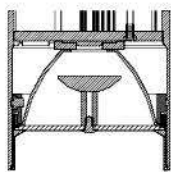
Light Guider



Reflector



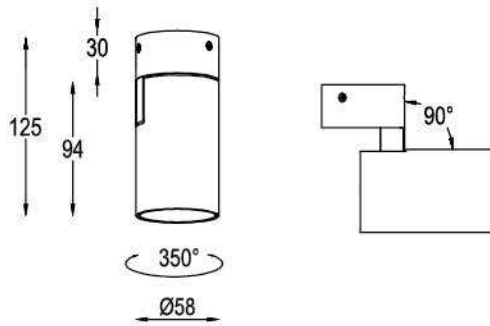
Lens



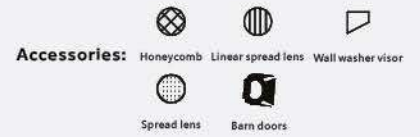
Reflector performance - higher lumen output and lower UGR

Lens performance - very lower beam and higher illuminance

CEILING SPOT



Suitable for AC220-240V 50/60Hz
 Single: IP20
 Control: On/Off, Triac 1-10V,
 Lifetime 35000-50000H



7W ELCS-0758

Lumen: 450-670lm, 3000K CRI>90 Efficacy up to: 90lm/W

Driver	Version	Optics	LED	Finishes
01 On/Off	180mA MAX: 7W	Narrow	2700K CRI>90 DCM<3	White
02 Triac dimming		Medium	3000K CRI>90 DCM<3	Grey
		Wide	3500K CRI>90 DCM<3	Black
		Super wide	4000K CRI>90 DCM<3	

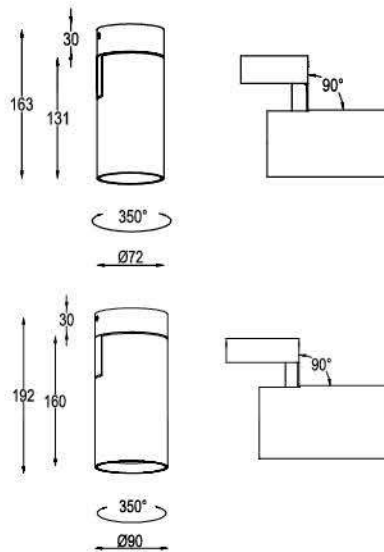
10W ELCS-1058

Lumen: 650-950lm, 3000K CRI>90 Efficacy up to: 90lm/W

Driver	Version	Optics	LED	Finishes
01 On/Off	250mA MAX: 10W	Narrow	2700K CRI>90 DCM<3	White
02 Triac dimming		Medium	3000K CRI>90 DCM<3	Grey
		Wide	3500K CRI>90 DCM<3	Black
		Super wide	4000K CRI>90 DCM<3	

CEILING SPOT

15W/20W/28W



Suitable for AC220-240V 50/60Hz
 Single: IP20
 Control: On/Off, Triac 1-10V,
 Lifetime 35000-50000H



15W ELCS-1572

Lumen: 750-1500lm, 3000K CRI>90 Efficacy up to: 95lm/W

Driver	Version	Optics	LED	Finishes
01 On/Off	350mA MAX: 15W	Narrow	2700K CRI>90 DCM<3	White
02 Triac dimming		Medium	3000K CRI>90 DCM<3	Grey
		Wide	3500K CRI>90 DCM<3	Black
		Super wide	4000K CRI>90 DCM<3	

20W ELCS-2072

Lumen: 1300-2000lm, 3000K CRI>90 Efficacy up to: 92lm/W

Driver	Version	Optics	LED	Finishes
01 On/Off	500mA MAX: 20W	Narrow	2700K CRI>90 DCM<3	White
02 Triac dimming		Medium	3000K CRI>90 DCM<3	Grey
		Wide	3500K CRI>90 DCM<3	Black
		Super wide	4000K CRI>90 DCM<3	

28W ELCS-2872

Lumen: 1820-2520lm, 3000K CRI>90 Efficacy up to: 90lm/W

Driver	Version	Optics	LED	Finishes
01 On/Off	700mA MAX: 28W	Narrow	2700K CRI>90 DCM<3	White
02 Triac dimming		Medium	3000K CRI>90 DCM<3	Grey
		Wide	3500K CRI>90 DCM<3	Black
		Super wide	4000K CRI>90 DCM<3	

RECESSED SPOT

7W/10W 15W/20W

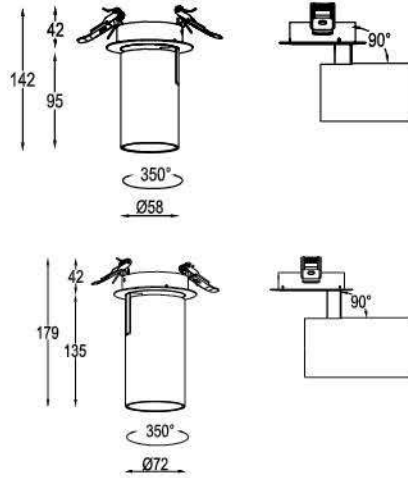


⏻ Ø75*H50

🔌 Max:30

⏻ Ø90*H50

🔌 Max:30



Suitable for AC220-240V 50/60Hz
 Single: IP20
 Control: On/Off, Triac 1-10V,
 Lifetime 35000-50000H



7W ELRS-0758

Lumen:450-670lm,3000K CRI>90 Efficacy up to:90lm/W

Driver	Version	Optics	LED	Finishes
01 On/Off	180mA MAX: 7W	Narrow	2700K CRI>90 DCM<3	White
02 Triac dimming		Medium	3000K CRI>90 DCM<3	Grey
03 1-10Vdimming		Wide	3500K CRI>90 DCM<3	Black
		Super wide	4000K CRI>90 DCM<3	

10W ELRS-1058

Lumen:650-950lm,3000K CRI>90 Efficacy up to:90lm/W

Driver	Version	Optics	LED	Finishes
01 On/Off	250mA MAX: 10W	Narrow	2700K CRI>90 DCM<3	White
02 Triac dimming		Medium	3000K CRI>90 DCM<3	Grey
03 1-10Vdimming		Wide	3500K CRI>90 DCM<3	Black
		Super wide	4000K CRI>90 DCM<3	

15W ELRS-1572

Lumen:750-1500lm,3000K CRI>90 Efficacy up to:95lm/W

Driver	Version	Optics	LED	Finishes
01 On/Off	350mA MAX: 15W	Narrow	2700K CRI>90 DCM<3	White
02 Triac dimming		Medium	3000K CRI>90 DCM<3	Grey
03 1-10Vdimming		Wide	3500K CRI>90 DCM<3	Black
		Super wide	4000K CRI>90 DCM<3	

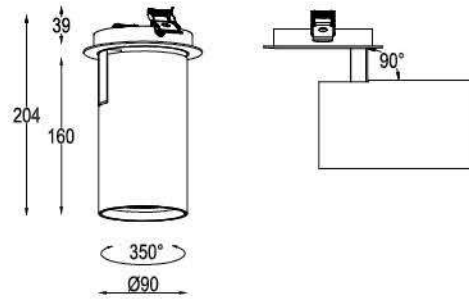
20W ELRS-2072

Lumen:1300-2000lm,3000K CRI>90 Efficacy up to:92lm/W

Driver	Version	Optics	LED	Finishes
01 On/Off	500mA MAX: 20W	Narrow	2700K CRI>90 DCM<3	White
02 Triac dimming		Medium	3000K CRI>90 DCM<3	Grey
03 1-10Vdimming		Wide	3500K CRI>90 DCM<3	Black
		Super wide	4000K CRI>90 DCM<3	

RECESSED SPOT

28W/36W

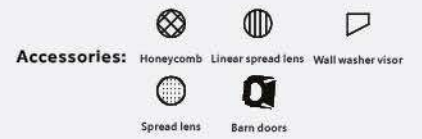


ⓘ Ø105*H50

ⓘ Max:30



Suitable for AC220-240V 50/60Hz
 Single: IP20
 Control: On/Off, Triac 1-10V,
 Lifetime 35000-50000H



28W ELRS-2890

Lumen:1820-2520 lm,3000K CRI>90 Efficacy up to:90 lm/W

Driver	Version	Optics	LED	Finishes
01 On/Off	700mA MAX:28W	Narrow	2700K CRI>90 DCM<3	White
02 Triac dimming		Medium	3000K CRI>90 DCM<3	Grey
03 1-10V dimming		Wide	3500K CRI>90 DCM<3	Black
04 Dali dimming		Super wide	4000K CRI>90 DCM<3	

36W ELRS-3690

Lumen:2340-3240 lm,3000K CRI>90 Efficacy up to:90 lm/W

Driver	Version	Optics	LED	Finishes
01 On/Off	900mA MAX:36W	Narrow	2700K CRI>90 DCM<3	White
02 Triac dimming		Medium	3000K CRI>90 DCM<3	Grey
03 1-10V dimming		Wide	3500K CRI>90 DCM<3	Black
04 Dali dimming		Super wide	4000K CRI>90 DCM<3	

Ceiling / Pendant



PENDANT AND CEILING LIGHT features perfect details with essential lines and a variety of high quality, anti-glare optical modules and accessories. Based on special lighting requirements such as lumen production, lighting type, light distribution or UGR, these non-directional spotlights have two installation options: surface and recessed.

Pendant



Ceiling



White



Grey



Black



WHITE / BLACK / GREY / GOLDEN
ANTI-GLARE SHIELD available on request



CEILING FIXED has basic anti-glare shield White / Black / Golden color.
Deep anti-glare shield in Anodized black / Darklight / Champagne Gold are available on request

CEILING / PENDANT

With innovative optical guide-light accessory, it improves visual comfort, light distribution, delivers glare-free performance. Excellent thermal management reduces the internal temperature of the housing and ensures the quality of the luminous flux.

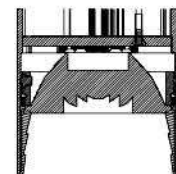
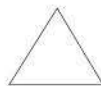
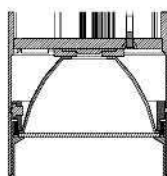
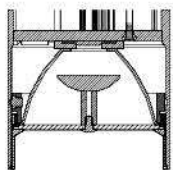
Light Guider



Reflector



Lens

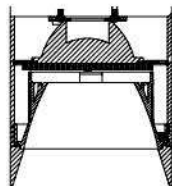


Reflector performance - higher lumen output and lower UGR

Lens performance - very lower beam and higher illuminance

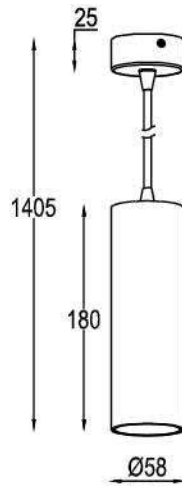
The CEILING LIGHT uses deep anti-glare accessories which ensure good visual comfort with its UGR > 10, a bright environment and lowering of light pollution. Anti-glare accessories are available in the Nero/Dark Light/Champagne gold versions to suit to different applications.

Anti-glare reflector



PENDANT LIGHT

7W/10W/15W



Suitable for AC220-240V 50/60Hz
 Single: IP20
 Control: On/Off, Triac 1-10V,
 Lifetime 35000-50000H



7W ELPL-0758

Lumen: 450-670 lm, 3000K CRI > 90 Efficacy up to: 90 lm/W

Driver	Version	Optics	LED	Finishes
01 On/Off	180mA MAX: 7W	Narrow	2700K CRI > 90 DCM < 3	White
02 Triac dimming		Medium	3000K CRI > 90 DCM < 3	Grey
03 1-10V dimming		Wide	3500K CRI > 90 DCM < 3	Black
		Super wide	4000K CRI > 90 DCM < 3	

10W ELPL-1058

Lumen: 650-950 lm, 3000K CRI > 90 Efficacy up to: 90 lm/W

Driver	Version	Optics	LED	Finishes
01 On/Off	250mA MAX: 10W	Narrow	2700K CRI > 90 DCM < 3	White
02 Triac dimming		Medium	3000K CRI > 90 DCM < 3	Grey
03 1-10V dimming		Wide	3500K CRI > 90 DCM < 3	Black
04 Dali dimming		Super wide	4000K CRI > 90 DCM < 3	

15W ELPL-1558

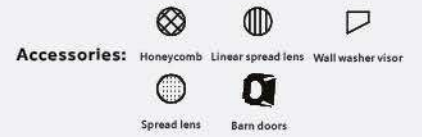
Lumen: 750-1500 lm, 3000K CRI > 90 Efficacy up to: 95 lm/W

Driver	Version	Optics	LED	Finishes
01 On/Off	350mA MAX: 15W	Narrow	2700K CRI > 90 DCM < 3	White
02 Triac dimming		Medium	3000K CRI > 90 DCM < 3	Grey
03 1-10V dimming		Wide	3500K CRI > 90 DCM < 3	Black
04 Dali dimming		Super wide	4000K CRI > 90 DCM < 3	

PENDANT LIGHT

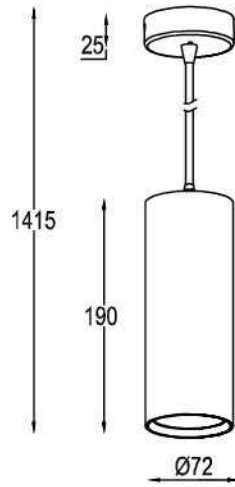


Suitable for AC220-240V 50/60Hz
 Single: IP20
 Control: On/Off, Triac 1-10V,
 Lifetime 35000-50000H



Accessories:

15W/20W



15W ELPLM-1572

[Anti-glare Reflector]

Lumen: 900-1000 lm, 3000K CRI > 90 Efficacy up to: 70 lm/W

Driver	Version	Optics	LED	Finishes
01 On/Off	350mA MAX: 15W	Narrow	2700K CRI > 90 DCM < 3	White
02 Triac dimming		Medium	3000K CRI > 90 DCM < 3	Grey
03 1-10V dimming		Wide	3500K CRI > 90 DCM < 3	Black
04 Dali dimming		Super wide	4000K CRI > 90 DCM < 3	

20W ELPLM-2072

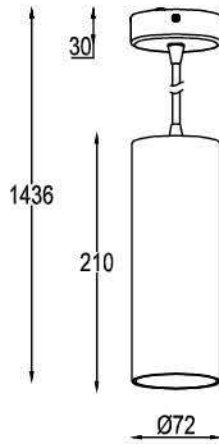
[Anti-glare Reflector]

Lumen: 1200-1400 lm, 3000K CRI > 90 Efficacy up to: 70 lm/W

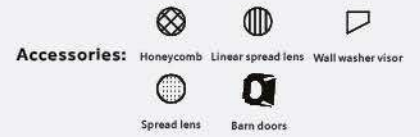
Driver	Version	Optics	LED	Finishes
01 On/Off	500mA MAX: 20W	Narrow	2700K CRI > 90 DCM < 3	White
02 Triac dimming		Medium	3000K CRI > 90 DCM < 3	Grey
03 1-10V dimming		Wide	3500K CRI > 90 DCM < 3	Black
04 Dali dimming		Super wide	4000K CRI > 90 DCM < 3	

PENDANT LIGHT

15W/28W



Suitable for AC220-240V 50/60Hz
 Single: IP20
 Control: On/Off, Triac 1-10V,
 Lifetime 35000-50000H



15W ELPL-1572

Lumen: 750-1500lm, 3000K CRI>90 Efficacy up to: 95 lm/W

Driver	Version	Optics	LED	Finishes
01 On/Off	350mA MAX: 15W	Narrow	2700K CRI>90 DCM<3	White
02 Triac dimming		Medium	3000K CRI>90 DCM<3	Grey
03 1-10V dimming		Wide	3500K CRI>90 DCM<3	Black
04 Dall dimming		Super wide	4000K CRI>90 DCM<3	

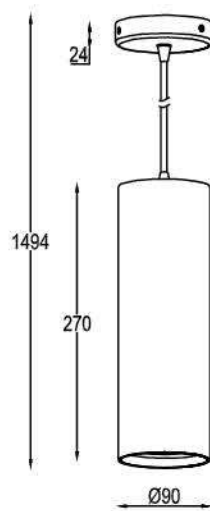
28W ELPL-2872

Lumen: 1820-2520lm, 3000K CRI>90 Efficacy up to: 90 lm/W

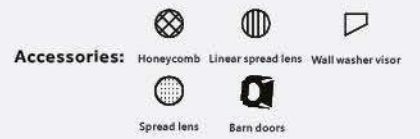
Driver	Version	Optics	LED	Finishes
01 On/Off	700mA MAX: 28W	Narrow	2700K CRI>90 DCM<3	White
02 Triac dimming		Medium	3000K CRI>90 DCM<3	Grey
03 1-10V dimming		Wide	3500K CRI>90 DCM<3	Black
04 Dall dimming		Super wide	4000K CRI>90 DCM<3	

PENDANT LIGHT

28W



Suitable for AC220-240V 50/60Hz
 Single: IP20
 Control: On/Off, Triac 1-10V,
 Lifetime 35000-50000H



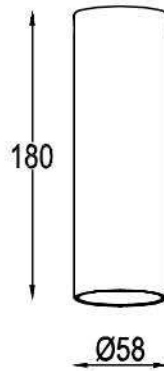
28W ELPL-2890

Lumen: 1820-2520 lm, 3000K CRI > 90 Efficacy up to: 90 lm/W

Driver	Version	Optics	LED	Finishes
01 On/Off	700mA MAX: 28W	Narrow	2700K CRI > 90 DCM < 3	White
02 Triac dimming		Medium	3000K CRI > 90 DCM < 3	Grey
03 1-10V dimming		Wide	3500K CRI > 90 DCM < 3	Black
04 Dall dimming		Super wide	4000K CRI > 90 DCM < 3	

CEILING LIGHT

7W/10W/15W



Suitable for AC220-240V 50/60Hz
 Single: IP20
 Control: On/Off, Triac 1-10V,
 Lifetime 35000-50000H



7W ELCL-0758

Lumen:450-670lm,3000K CRI>90 Efficacy up to:90lm/W

Driver	Version	Optics	LED	Finishes
01 On/Off	180mA MAX: 7W	Narrow	2700K CRI>90 DCM<3	White
02 Triac dimming		Medium	3000K CRI>90 DCM<3	Grey
03 1-10V dimming		Wide	3500K CRI>90 DCM<3	Black
		Super wide	4000K CRI>90 DCM<3	

10W ELCL-1058

Lumen:650-950lm,3000K CRI>90 Efficacy up to:90lm/W

Driver	Version	Optics	LED	Finishes
01 On/Off	250mA MAX: 10W	Narrow	2700K CRI>90 DCM<3	White
02 Triac dimming		Medium	3000K CRI>90 DCM<3	Grey
03 1-10V dimming		Wide	3500K CRI>90 DCM<3	Black
04 Dali dimming		Super wide	4000K CRI>90 DCM<3	

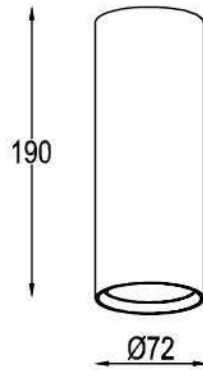
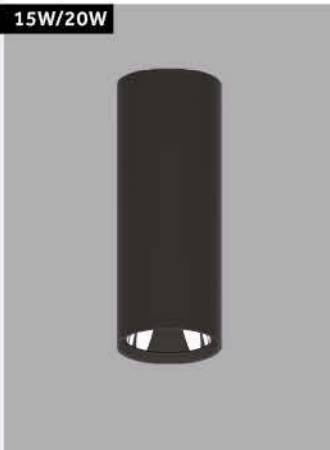
15W ELCL-1558

Lumen:750-1500lm,3000K CRI>90 Efficacy up to:95lm/W

Driver	Version	Optics	LED	Finishes
01 On/Off	350mA MAX: 15W	Narrow	2700K CRI>90 DCM<3	White
02 Triac dimming		Medium	3000K CRI>90 DCM<3	Grey
03 1-10V dimming		Wide	3500K CRI>90 DCM<3	Black
04 Dali dimming		Super wide	4000K CRI>90 DCM<3	

CEILING LIGHT

15W/20W



Suitable for AC220-240V 50/60Hz
 Single: IP20
 Control: On/Off, Triac 1-10V,
 Lifetime 35000-50000H



15W ELCLM-1572

[Anti-glare Reflector]

Lumen: 900-1000 lm, 3000K CRI > 90 Efficacy up to: 70 lm/W

Driver	Version	Optics	LED	Finishes
01 On/Off	350mA MAX: 15W	Narrow	2700K CRI > 90 DCM < 3	White
02 Triac dimming		Medium	3000K CRI > 90 DCM < 3	Grey
03 1-10V dimming		Wide	3500K CRI > 90 DCM < 3	Black
04 Dalı dimming		Super wide	4000K CRI > 90 DCM < 3	

20W ELCLM-2072

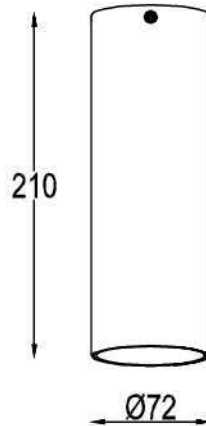
[Anti-glare Reflector]

Lumen: 1200-1400 lm, 3000K CRI > 90 Efficacy up to: 70 lm/W

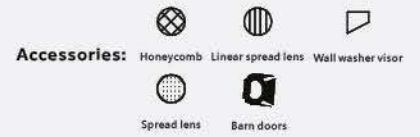
Driver	Version	Optics	LED	Finishes
01 On/Off	500mA MAX: 20W	Narrow	2700K CRI > 90 DCM < 3	White
02 Triac dimming		Medium	3000K CRI > 90 DCM < 3	Grey
03 1-10V dimming		Wide	3500K CRI > 90 DCM < 3	Black
04 Dalı dimming		Super wide	4000K CRI > 90 DCM < 3	

CEILING LIGHT

15W/28W



Suitable for AC220-240V 50/60Hz
 Single: IP20
 Control: On/Off, Triac 1-10V,
 Lifetime 35000-50000H



15W ELCL-1572

Lumen: 750-1500lm, 3000K CRI>90 Efficacy up to: 95 lm/W

Driver	Version	Optics	LED	Finishes
01 On/Off	350mA MAX: 15W	Narrow	2700K CRI>90 DCM<3	White
02 Triac dimming		Medium	3000K CRI>90 DCM<3	Grey
03 1-10V dimming		Wide	3500K CRI>90 DCM<3	Black
04 Dall dimming		Super wide	4000K CRI>90 DCM<3	

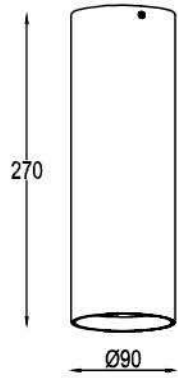
28W ELCL-2072

Lumen: 1820-2520lm, 3000K CRI>90 Efficacy up to: 90 lm/W

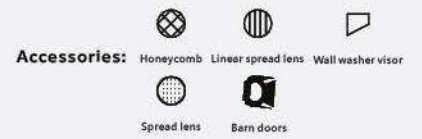
Driver	Version	Optics	LED	Finishes
01 On/Off	700mA MAX: 28W	Narrow	2700K CRI>90 DCM<3	White
02 Triac dimming		Medium	3000K CRI>90 DCM<3	Grey
03 1-10V dimming		Wide	3500K CRI>90 DCM<3	Black
04 Dall dimming		Super wide	4000K CRI>90 DCM<3	

CEILING LIGHT

28W



Suitable for AC220-240V 50/60Hz
 Single: IP20
 Control: On/Off, Triac 1-10V,
 Lifetime 35000-50000H

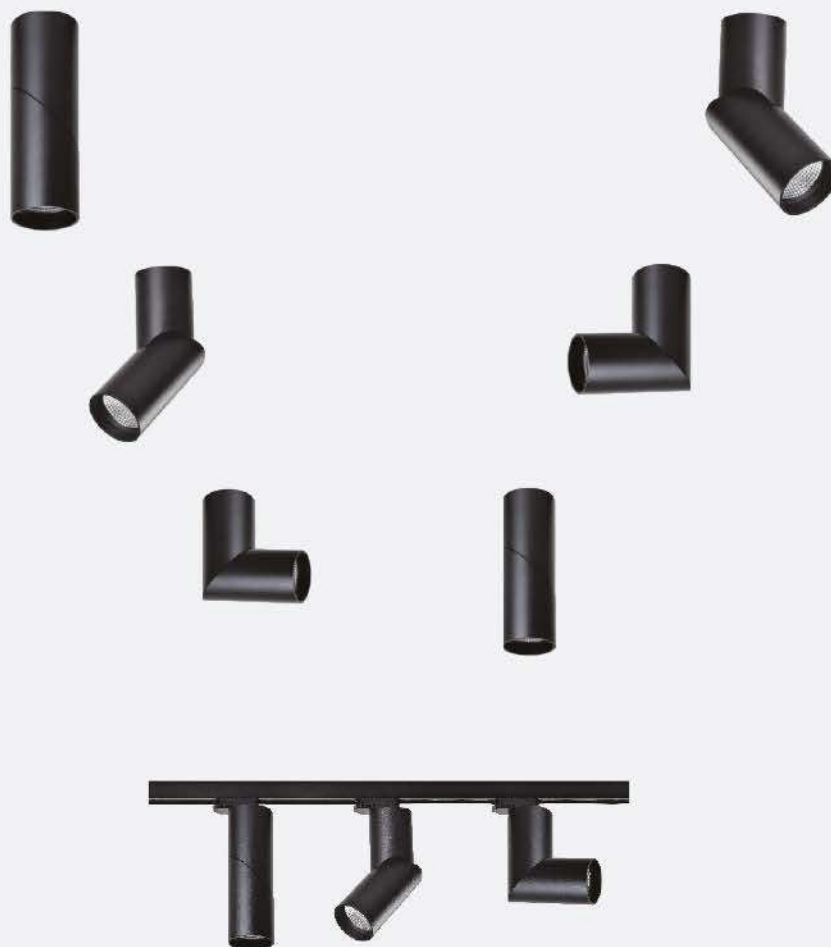


28W ELCL-2890

Lumen: 1820-2520 lm, 3000K CRI > 90 Efficacy up to: 90 lm/W

Driver	Version	Optics	LED	Finishes
01 On/Off	700mA MAX: 28W	Narrow	2700K CRI > 90 DCM < 3	White
02 Triac dimming		Medium	3000K CRI > 90 DCM < 3	Grey
03 1-10V dimming		Wide	3500K CRI > 90 DCM < 3	Black
04 Dali dimming		Super wide	4000K CRI > 90 DCM < 3	

Track / Ceiling Angle



TRACK AND CEILING ANGLE features perfect details with essential lines and a variety of high-quality, anti-glare optical modules and accessories. Based on special lighting such as lumen production, lighting type, light distribution or UGR, these adjustable spotlights have two installation options: surface and rail.

Ceiling



Track



White



Black



WHITE / BLACK / GREY / GOLDEN
ANTI-GLARE SHIELD available on request

TRACK / CEILING ANGLE

With innovative optical guide-light accessory, it improves visual comfort, light distribution, delivers glare-free performance. Excellent thermal management reduces the internal temperature of the housing and ensures the quality of the luminous flux.

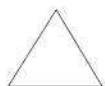
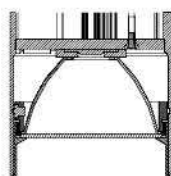
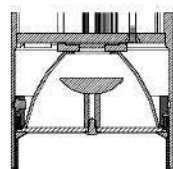
Light Guider



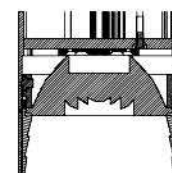
Reflector



Lens



Reflector performance - higher lumen output and lower UGR



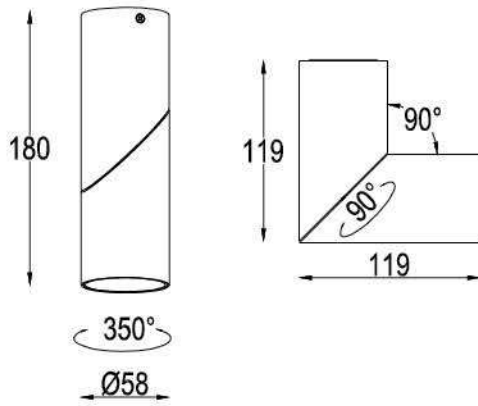
Lens performance - very lower beam and higher illuminance

TRACK / CEILING ANGLE

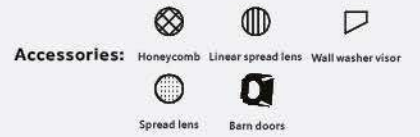


CEILING ANGLE

7W



Suitable for AC220-240V 50/60Hz
 Single: IP20
 Control: On/Off, Triac 1-10V,
 Lifetime 35000-50000H



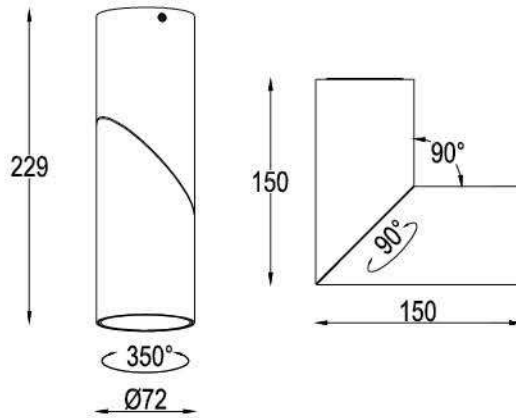
7W ELCA-0758-I

Lumen: 450-670 lm, 3000K CRI>90 Efficacy up to: 90 lm/W

Driver	Version	Optics	LED	Finishes
01 On/Off	180mA MAX: 7W	Narrow	2700K CRI>90 DCM<3	White
02 Triac dimming		Medium	3000K CRI>90 DCM<3	Grey
		Wide	3500K CRI>90 DCM<3	Black
		Super wide	4000K CRI>90 DCM<3	

CEILING ANGLE

15W



Suitable for AC220-240V 50/60Hz
 Single: IP20
 Control: On/Off, Triac 1-10V,
 Lifetime 35000-50000H



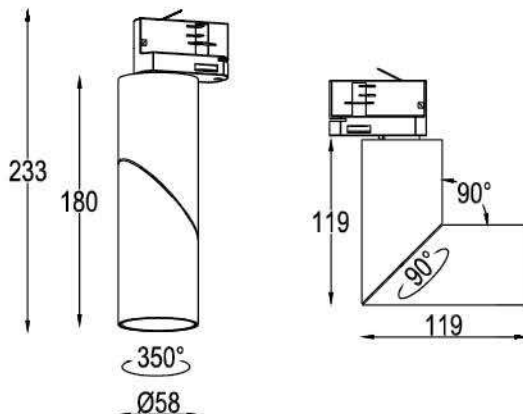
15W ELCA-1572-I

Lumen: 750-1500lm, 3000K CRI>90 Efficacy up to: 95lm/W

Driver	Version	Optics	LED	Finishes
01 On/Off	350mA MAX: 15W	Narrow	2700K CRI>90 DCM<3	White
02 Triac dimming		Medium	3000K CRI>90 DCM<3	Grey
		Wide	3500K CRI>90 DCM<3	Black
		Super wide	4000K CRI>90 DCM<3	

TRACK ANGLE

7W



Suitable for AC220-240V 50/60Hz
 Single: IP20
 Control: On/Off, Triac 1-10V,
 Lifetime 35000-50000H



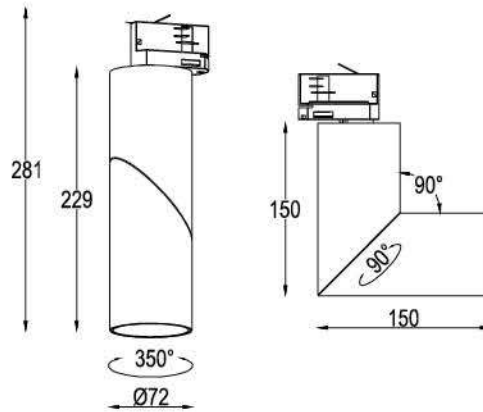
7W ELTA-0758-I

Lumen: 450-670 lm, 3000K CRI > 90 Efficacy up to: 90 lm/W

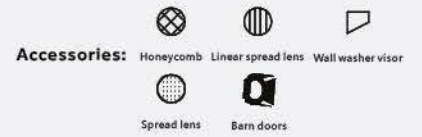
Driver	Version	Optics	LED	Finishes
01 On/Off	180mA MAX: 7W	Narrow	2700K CRI > 90 DCM < 3	White
02 Triac dimming		Medium	3000K CRI > 90 DCM < 3	Grey
		Wide	3500K CRI > 90 DCM < 3	Black
		Super wide	4000K CRI > 90 DCM < 3	

TRACK ANGLE

15W



Suitable for AC220-240V 50/60Hz
 Single: IP20
 Control: On/Off, Triac 1-10V,
 Lifetime 35000-50000H

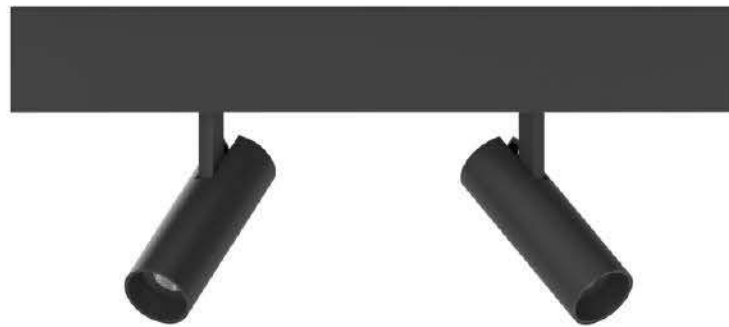


15W ELTA-1572-I

Lumen: 750-1500lm, 3000K CRI>90 Efficacy up to: 95lm/W

Driver	Version	Optics	LED	Finishes
01 On/Off	350mA MAX: 15W	Narrow	2700K CRI>90 DCM<3	White
02 Triac dimming		Medium	3000K CRI>90 DCM<3	Grey
		Wide	3500K CRI>90 DCM<3	Black
		Super wide	4000K CRI>90 DCM<3	

Ceiling Dots



White



Grey



Black



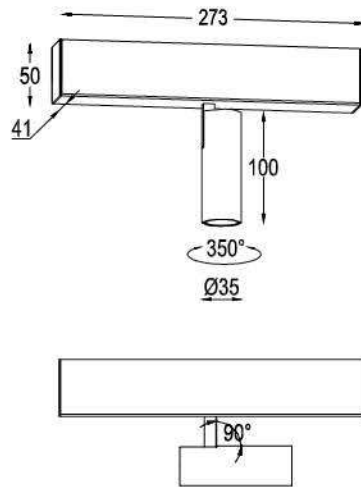
Recessed Dots



Different finishing all with black anti-angle shade.

CEILING DOTS

7W/10W/15W



Suitable for AC220-240V 50/60Hz
 Single: IP20
 Control: On/Off, Triac 1-10V,
 Lifetime 35000-50000H



Accessories: Spread lens

7W ELCD-0735

Lumen: 450-580lm, 3000K CRI>90 Efficacy up to: 83 lm/W

Driver	Version	Optics	LED	Finishes
01 On/Off	180mA MAX: 7W	Narrow	2700K CRI>90 DCM<3	White
02 Triac dimming		Wide	3000K CRI>90 DCM<3	Grey
03 1-10V dimming			3500K CRI>90 DCM<3	Black
			4000K CRI>90 DCM<3	

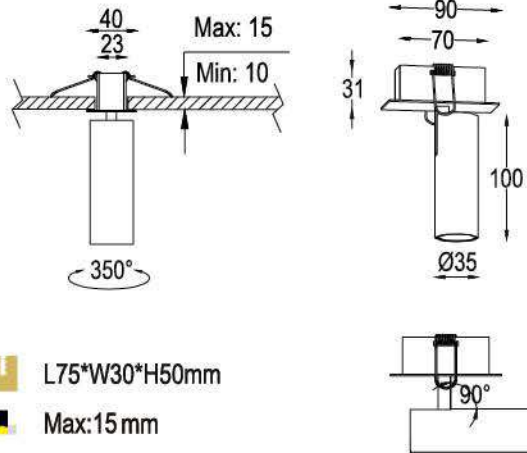
10W ELCD-1035

Lumen: 550-800 lm, 3000K CRI>90 Efficacy up to: 80 lm/W

Driver	Version	Optics	LED	Finishes
01 On/Off	250mA MAX: 10W	Narrow	2700K CRI>90 DCM<3	White
02 Triac dimming		Wide	3000K CRI>90 DCM<3	Grey
03 1-10V dimming			3500K CRI>90 DCM<3	Black
04 Dall dimming			4000K CRI>90 DCM<3	

RECESSED DOTS

15W/20W



L75*W30*H50mm
 Max:15mm



Suitable for AC220-240V 50/60Hz
 Single: IP20
 Control: On/Off, Triac 1-10V,
 Lifetime 35000-50000H

Accessories: Spread lens

7W ELRD-0735

Lumen:450-580lm,3000K CRI>90 Efficacy up to:83 lm/W

Driver	Version	Optics	LED	Finishes
01 On/Off	180mA MAX: 7W	Narrow	2700K CRI>90 DCM<3	White
02 Triac dimming		Wide	3000K CRI>90 DCM<3	Grey
03 1-10V dimming			3500K CRI>90 DCM<3	Black
			4000K CRI>90 DCM<3	

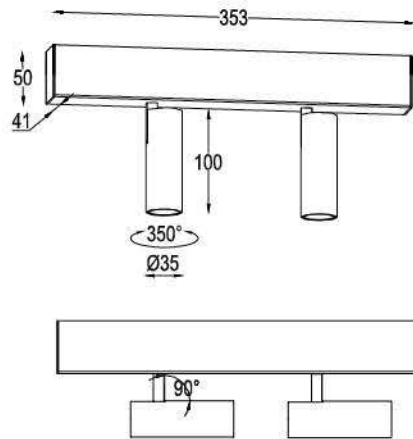
10W ELRD-1035

Lumen:550-800 lm,3000K CRI>90 Efficacy up to:80 lm/W

Driver	Version	Optics	LED	Finishes
01 On/Off	250mA MAX: 10W	Narrow	2700K CRI>90 DCM<3	White
02 Triac dimming		Wide	3000K CRI>90 DCM<3	Grey
03 1-10V dimming			3500K CRI>90 DCM<3	Black
04 Dall dimming			4000K CRI>90 DCM<3	

CEILING DOTS

2x7W/2x10W



Suitable for AC220-240V 50/60Hz
 Single: IP20
 Control: On/Off, Triac 1-10V,
 Lifetime 35000-50000H



Accessories: Spread lens

2x7W ELCD-2x0735

Lumen: 900-1160 lm, 3000K CRI>90 Efficacy up to: 83 lm/W

Driver	Version	Optics	LED	Finishes
01 On/Off	180mA MAX: 7W	Narrow	2700K CRI>90 DCM<3	White
02 Triac dimming		Wide	3000K CRI>90 DCM<3	Grey
03 1-10V dimming		3500K CRI>90 DCM<3	Black	
04 Dali dimming		4000K CRI>90 DCM<3		

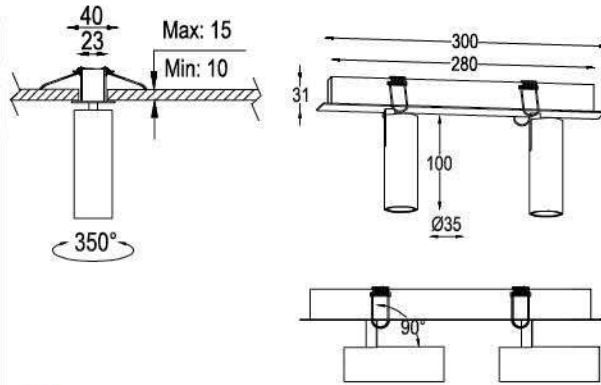
2x10W ELCD-2x1035

Lumen: 1100-1600 lm, 3000K CRI>90 Efficacy up to: 80 lm/W

Driver	Version	Optics	LED	Finishes
01 On/Off	250mA MAX: 10W	Narrow	2700K CRI>90 DCM<3	White
02 Triac dimming		Wide	3000K CRI>90 DCM<3	Grey
03 1-10V dimming		3500K CRI>90 DCM<3	Black	
04 Dali dimming		4000K CRI>90 DCM<3		

RECESSED DOTS

2x7W/2x10W



L285*W30*H50mm
 Max:15mm



Suitable for AC220-240V 50/60Hz
 Single: IP20
 Control: On/Off, Triac 1-10V,
 Lifetime 35000-50000H

Accessories: Spread lens

2x7W ELRD-2x0735

Lumen:900-1160 lm,3000K CRI>90 Efficacy up to:83 lm/W

Driver	Version	Optics	LED	Finishes
01 On/Off	180mA MAX: 7W	Narrow	2700K CRI>90 DCM<3	White
02 Triac dimming		Wide	3000K CRI>90 DCM<3	Grey
03 1-10V dimming		3500K CRI>90 DCM<3	Black	
04 Dall dimming		4000K CRI>90 DCM<3		

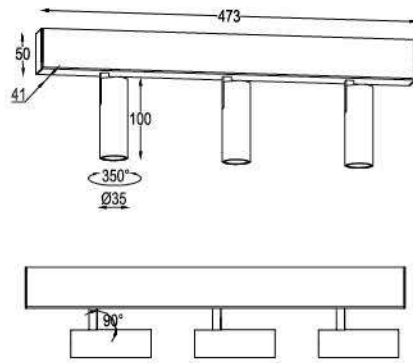
2x10W ELRD-2x1035

Lumen:1100-1600 lm,3000K CRI>90 Efficacy up to:80 lm/W

Driver	Version	Optics	LED	Finishes
01 On/Off	250mA MAX: 10W	Narrow	2700K CRI>90 DCM<3	White
02 Triac dimming		Wide	3000K CRI>90 DCM<3	Grey
03 1-10V dimming		3500K CRI>90 DCM<3	Black	
04 Dall dimming		4000K CRI>90 DCM<3		

CEILING DOTS

3x7W/3x10W



Suitable for AC220-240V 50/60Hz
 Single: IP20
 Control: On/Off, Triac 1-10V,
 Lifetime 35000-50000H



Accessories: Spread lens

3x7W ELCD-3x0735

Lumen: 1350-1740 lm, 3000K CRI>90 Efficacy up to: 83 lm/W

Driver	Version	Optics	LED	Finishes
01 On/Off	180mA MAX: 7W	Narrow	2700K CRI>90 DCM<3	White
02 Triac dimming		Wide	3000K CRI>90 DCM<3	Grey
03 1-10V dimming		3500K CRI>90 DCM<3	Black	
04 Dali dimming		4000K CRI>90 DCM<3		

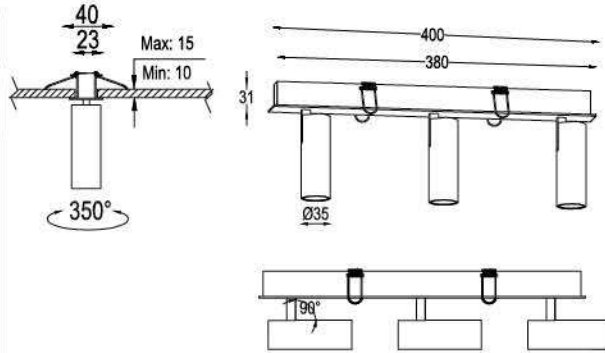
3x10W ELCD-3x1035

Lumen: 1650-2400 lm, 3000K CRI>90 Efficacy up to: 80 lm/W

Driver	Version	Optics	LED	Finishes
01 On/Off	250mA MAX: 10W	Narrow	2700K CRI>90 DCM<3	White
02 Triac dimming		Wide	3000K CRI>90 DCM<3	Grey
03 1-10V dimming		3500K CRI>90 DCM<3	Black	
04 Dali dimming		4000K CRI>90 DCM<3		

RECESSED DOTS

3x7W/3x10W



L L385*W30*H50mm
L Max:15mm



Suitable for AC220-240V 50/60Hz
 Single: IP20
 Control: On/Off, Triac 1-10V,
 Lifetime 35000-50000H



Accessories: Spread lens

3x7W ELRD-3x0735

Lumen:1350-1740 lm,3000K CRI>90 Efficacy up to:83 lm/W

Driver	Version	Optics	LED	Finishes
01 On/Off	180mA MAX: 7W	Narrow	2700K CRI>90 DCM<3	White
02 Triac dimming			3000K CRI>90 DCM<3	Grey
03 1-10V dimming		3500K CRI>90 DCM<3	Black	
04 Dall dimming		4000K CRI>90 DCM<3		

3x10W ELRD-3x1035

Lumen:1650-2400 lm,3000K CRI>90 Efficacy up to:80 lm/W

Driver	Version	Optics	LED	Finishes
01 On/Off	250mA MAX: 10W	Narrow	2700K CRI>90 DCM<3	White
02 Triac dimming			3000K CRI>90 DCM<3	Grey
03 1-10V dimming		3500K CRI>90 DCM<3	Black	
04 Dall dimming		4000K CRI>90 DCM<3		

Ceiling Dots



White



Grey



Black



Recessed Dots



WHITE / BLACK / GREY / GOLDEN
ANTI-GLARE SHIELD available on request

CEILING / RECESSED DOTS

With innovative optical guide-light accessory, it improves visual comfort, light distribution, delivers glare-free performance. Excellent thermal management reduces the internal temperature of the housing and ensures the quality of the luminous flux.

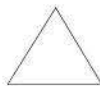
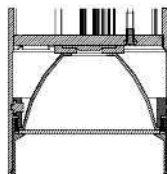
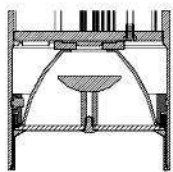
Light Guider



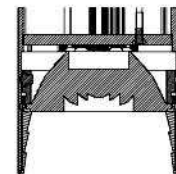
Reflector



Lens



Reflector performance - higher lumen output and lower UGR



Lens performance - very lower beam and higher illuminance

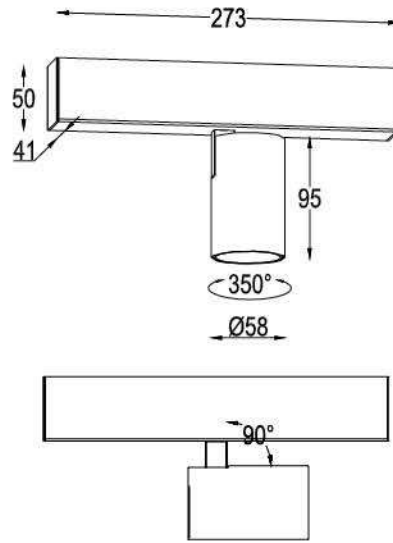
Ceiling / Recessed Dots



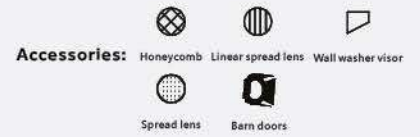
The CEILING AND RECESSED DOTS products are applicable to special cases. This series has retained not only all the functions of the track lights, but it can be also applied in environments with a complex design ceiling installation.

CEILING DOTS

10W/15W



Suitable for AC220-240V 50/60Hz
 Single: IP20
 Control: On/Off, Triac 1-10V,
 Lifetime 35000-50000H



10W ELCD-1058

Lumen: 650-950lm, 3000K CRI>90 Efficacy up to: 90lm/W

Driver	Version	Optics	LED	Finishes
01 On/Off	250mA MAX: 10W	Narrow	2700K CRI>90 DCM<3	White
02 Triac dimming		Medium	3000K CRI>90 DCM<3	Grey
03 1-10V dimming		Wide	3500K CRI>90 DCM<3	Black
04 Dali dimming		Super wide	4000K CRI>90 DCM<3	

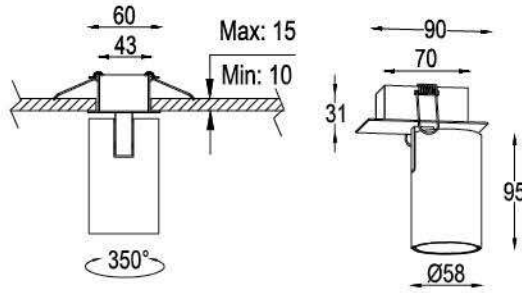
15W ELCD-1558

Lumen: 750-1500lm, 3000K CRI>90 Efficacy up to: 95lm/W

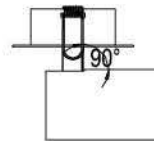
Driver	Version	Optics	LED	Finishes
01 On/Off	350mA MAX: 15W	Narrow	2700K CRI>90 DCM<3	White
02 Triac dimming		Medium	3000K CRI>90 DCM<3	Grey
03 1-10V dimming		Wide	3500K CRI>90 DCM<3	Black
04 Dali dimming		Super wide	4000K CRI>90 DCM<3	

RECESSED DOTS

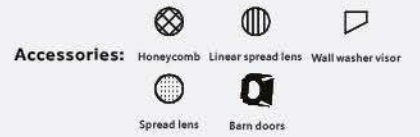
10W/15W



L75*W50*H50mm
 Max:15mm



Suitable for AC220-240V 50/60Hz
 Single:IP20
 Control: On/Off, Triac 1-10V,
 Lifetime 35000-50000H



10W ELRD-1058

Lumen:650-950 lm,3000K CRI>90 Efficacy up to:90 lm/W

Driver	Version	Optics	LED	Finishes
01 On/Off	250mA MAX: 10W	Narrow	2700K CRI>90 DCM<3	White
02 Triac dimming		Medium	3000K CRI>90 DCM<3	Grey
03 1-10V dimming		Wide	3500K CRI>90 DCM<3	Black
04 Dali dimming		Super wide	4000K CRI>90 DCM<3	

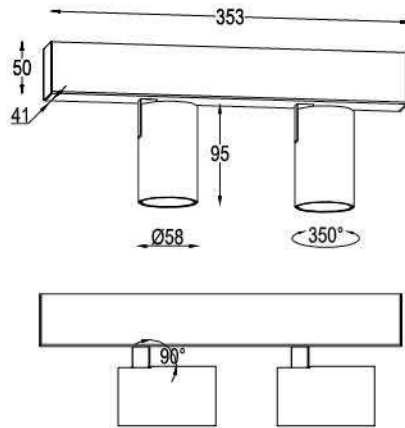
15W ELRD-1558

Lumen:750-1500 lm,3000K CRI>90 Efficacy up to:95 lm/W

Driver	Version	Optics	LED	Finishes
01 On/Off	350mA MAX: 15W	Narrow	2700K CRI>90 DCM<3	White
02 Triac dimming		Medium	3000K CRI>90 DCM<3	Grey
03 1-10V dimming		Wide	3500K CRI>90 DCM<3	Black
04 Dali dimming		Super wide	4000K CRI>90 DCM<3	

CEILING DOTS

2x10W/2x15W



Suitable for AC220-240V 50/60Hz
 Single: IP20
 Control: On/Off, Triac 1-10V,
 Lifetime 35000-50000H



2x10W ELCD-2x1058

Lumen: 1300-1900lm, 3000K CRI>90 Efficacy up to: 90lm/W

Driver	Version	Optics	LED	Finishes
01 On/Off	250mA MAX: 2x10W	Narrow	2700K CRI>90 DCM<3	White
02 Triac dimming		Medium	3000K CRI>90 DCM<3	Grey
03 1-10V dimming		Wide	3500K CRI>90 DCM<3	Black
04 Dali dimming		Super wide	4000K CRI>90 DCM<3	

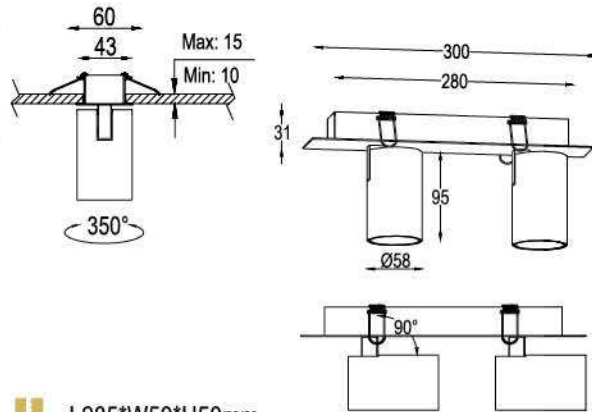
2x15W ELCD-2x1558

Lumen: 1500-3000lm, 3000K CRI>90 Efficacy up to: 95lm/W

Driver	Version	Optics	LED	Finishes
01 On/Off	350mA MAX: 2x15W	Narrow	2700K CRI>90 DCM<3	White
02 Triac dimming		Medium	3000K CRI>90 DCM<3	Grey
03 1-10V dimming		Wide	3500K CRI>90 DCM<3	Black
04 Dali dimming		Super wide	4000K CRI>90 DCM<3	

RECESSED DOTS

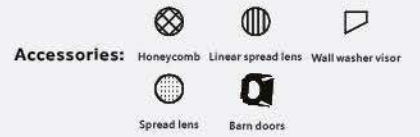
2x10W/2x15W



L285*W50*H50mm
Max:15mm



Suitable for AC220-240V 50/60Hz
 Single: IP20
 Control: On/Off, Triac 1-10V,
 Lifetime 35000-50000H



2x10W ELRD-2x1058

Lumen:1300-1900 lm,3000K CRI>90 Efficacy up to:90 lm/W

Driver	Version	Optics	LED	Finishes
01 On/Off	250mA MAX:2x10W	Narrow	2700K CRI>90 DCM<3	White
02 Triac dimming		Medium	3000K CRI>90 DCM<3	Grey
03 1-10V dimming		Wide	3500K CRI>90 DCM<3	Black
04 Dali dimming		Super wide	4000K CRI>90 DCM<3	

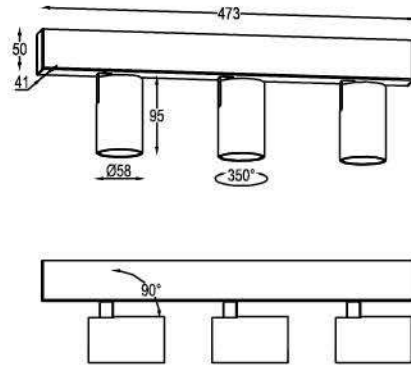
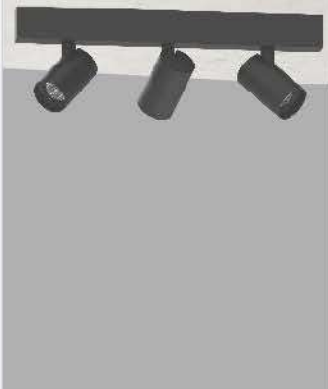
2x15W ELRD-2x1558

Lumen:1500-3000 lm,3000K CRI>90 Efficacy up to:95 lm/W

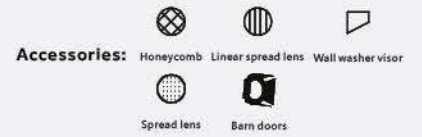
Driver	Version	Optics	LED	Finishes
01 On/Off	350mA MAX:2x15W	Narrow	2700K CRI>90 DCM<3	White
02 Triac dimming		Medium	3000K CRI>90 DCM<3	Grey
03 1-10V dimming		Wide	3500K CRI>90 DCM<3	Black
04 Dali dimming		Super wide	4000K CRI>90 DCM<3	

CEILING DOTS

3x10W/3x15W



Suitable for AC220-240V 50/60Hz
 Single: IP20
 Control: On/Off, Triac 1-10V,
 Lifetime 35000-50000H



3x10W ELCD-3x1058

Lumen:1950-2850lm,3000K CRI>90 Efficacy up to:90 lm/W

Driver	Version	Optics	LED	Finishes
01 On/Off	250mA MAX: 3x10W	Narrow	2700K CRI>90 DCM<3	White
02 Triac dimming		Medium	3000K CRI>90 DCM<3	Grey
03 1-10Vdimming		Wide	3500K CRI>90 DCM<3	Black
04 Dali dimming		Super wide	4000K CRI>90 DCM<3	

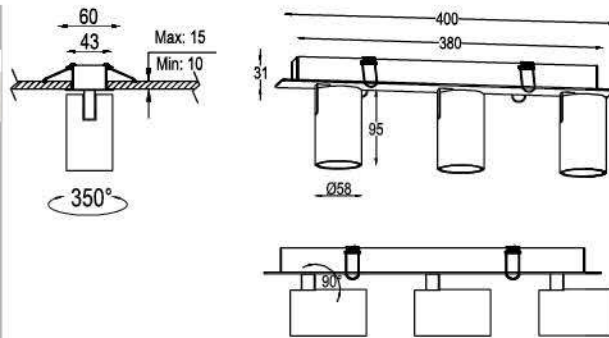
3x15W ELCD-3x1558

Lumen:2250-4500lm,3000K CRI>90 Efficacy up to:95 lm/W

Driver	Version	Optics	LED	Finishes
01 On/Off	350mA MAX: 3x15W	Narrow	2700K CRI>90 DCM<3	White
02 Triac dimming		Medium	3000K CRI>90 DCM<3	Grey
03 1-10Vdimming		Wide	3500K CRI>90 DCM<3	Black
04 Dali dimming		Super wide	4000K CRI>90 DCM<3	

RECESSED DOTS

3x10W/3x15W

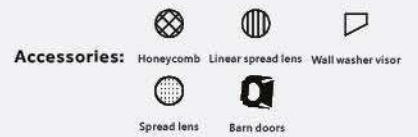


L385*W50*H50mm

Max:15mm



Suitable for AC220-240V 50/60Hz
 Single:IP20
 Control: On/Off, Triac 1-10V,
 Lifetime 35000-50000H



3x10W ELRD-3x1058

Lumen:1950-2850lm,3000K CRI>90 Efficacy up to:90lm/W

Driver	Version	Optics	LED	Finishes
01 On/Off	250mA MAX: 3x10W	Narrow	2700K CRI>90 DCM<3	White
02 Triac dimming		Medium	3000K CRI>90 DCM<3	Grey
03 1-10V dimming		Wide	3500K CRI>90 DCM<3	Black
04 Dalí dimming		Super wide	4000K CRI>90 DCM<3	

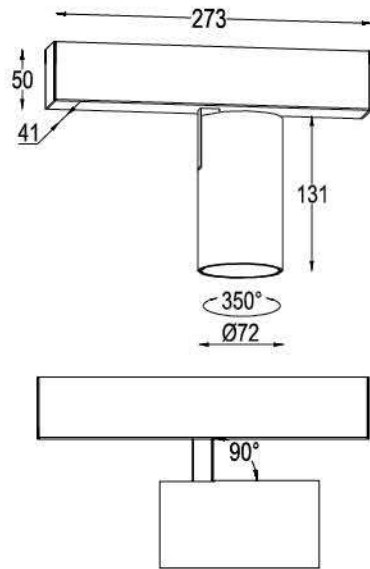
3x15W ELRD-3x1558

Lumen:2250-4500lm,3000K CRI>90 Efficacy up to:95lm/W

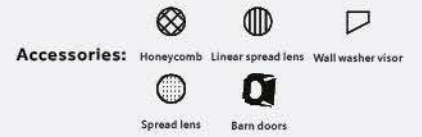
Driver	Version	Optics	LED	Finishes
01 On/Off	350mA MAX: 3x15W	Narrow	2700K CRI>90 DCM<3	White
02 Triac dimming		Medium	3000K CRI>90 DCM<3	Grey
03 1-10V dimming		Wide	3500K CRI>90 DCM<3	Black
04 Dalí dimming		Super wide	4000K CRI>90 DCM<3	

CEILING DOTS

15W/20W



Suitable for AC220-240V 50/60Hz
 Single: IP20
 Control: On/Off, Triac 1-10V,
 Lifetime 35000-50000H



15W ELCD-1572

Lumen: 750-1500 lm, 3000K CRI>90 Efficacy up to: 95 lm/W

Driver	Version	Optics	LED	Finishes
01 On/Off	350mA MAX: 15W	Narrow	2700K CRI>90 DCM<3	White
02 Triac dimming		Medium	3000K CRI>90 DCM<3	Grey
03 1-10V dimming		Wide	3500K CRI>90 DCM<3	Black
04 Dall dimming		Super wide	4000K CRI>90 DCM<3	

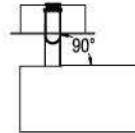
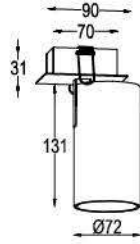
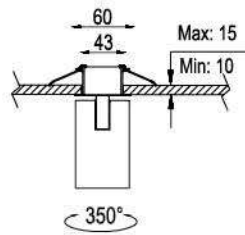
20W ELCD-2072

Lumen: 1300-2000 lm, 3000K CRI>90 Efficacy up to: 92 lm/W

Driver	Version	Optics	LED	Finishes
01 On/Off	500mA MAX: 20W	Narrow	2700K CRI>90 DCM<3	White
02 Triac dimming		Medium	3000K CRI>90 DCM<3	Grey
03 1-10V dimming		Wide	3500K CRI>90 DCM<3	Black
04 Dall dimming		Super wide	4000K CRI>90 DCM<3	

RECESSED DOTS

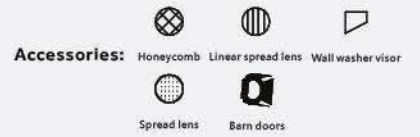
15W/20W



L L75*W50*H50mm
L Max:15 mm



Suitable for AC220-240V 50/60Hz
 Single:IP20
 Control: On/Off, Triac 1-10V,
 Lifetime 35000-50000H



15W ELRD-1572

Lumen:750-1500 lm,3000K CRI>90 Efficacy up to:95 lm/W

Driver	Version	Optics	LED	Finishes
01 On/Off	350mA MAX: 15W	Narrow	2700K CRI>90 DCM<3	White
02 Triac dimming		Medium	3000K CRI>90 DCM<3	Grey
03 1-10V dimming		Wide	3500K CRI>90 DCM<3	Black
04 Dali dimming		Super wide	4000K CRI>90 DCM<3	

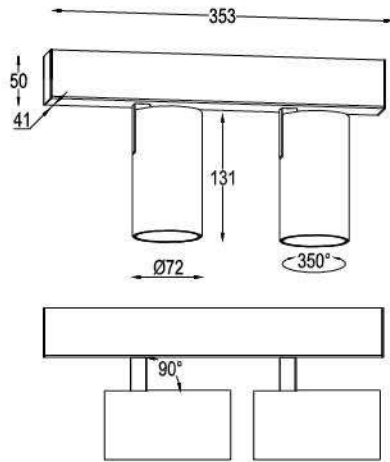
20W ELRD-2072

Lumen:1300-2000 lm,3000K CRI>90 Efficacy up to:92 lm/W

Driver	Version	Optics	LED	Finishes
01 On/Off	500mA MAX: 20W	Narrow	2700K CRI>90 DCM<3	White
02 Triac dimming		Medium	3000K CRI>90 DCM<3	Grey
03 1-10V dimming		Wide	3500K CRI>90 DCM<3	Black
04 Dali dimming		Super wide	4000K CRI>90 DCM<3	

CEILING DOTS

2x15W/2x20W



Suitable for AC220-240V 50/60Hz
 Single: IP20
 Control: On/Off, Triac 1-10V,
 Lifetime 35000-50000H



2x15W ELCD-2x1572

Lumen: 1500-3000lm, 3000K CRI>90 Efficacy up to: 95lm/W

Driver	Version	Optics	LED	Finishes
01 On/Off	350mA MAX: 2x15W	Narrow	2700K CRI>90 DCM<3	White
02 Triac dimming		Medium	3000K CRI>90 DCM<3	Grey
03 1-10V dimming		Wide	3500K CRI>90 DCM<3	Black
04 Dali dimming		Super wide	4000K CRI>90 DCM<3	

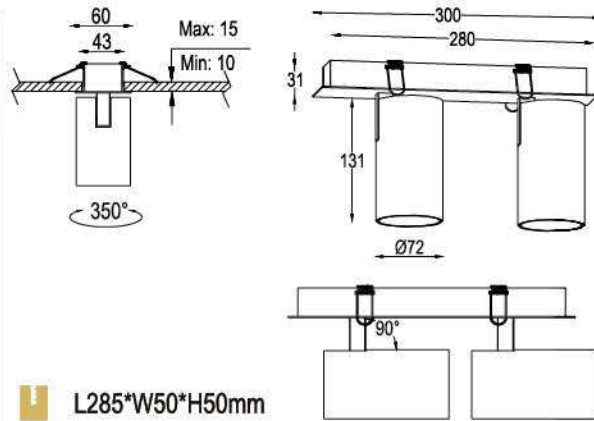
2x20W ELCD-2x2072

Lumen: 2600-4000lm, 3000K CRI>90 Efficacy up to: 92lm/W

Driver	Version	Optics	LED	Finishes
01 On/Off	500mA MAX: 2x20W	Narrow	2700K CRI>90 DCM<3	White
02 Triac dimming		Medium	3000K CRI>90 DCM<3	Grey
03 1-10V dimming		Wide	3500K CRI>90 DCM<3	Black
04 Dali dimming		Super wide	4000K CRI>90 DCM<3	

RECESSED DOTS

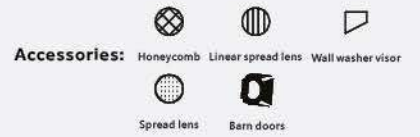
2x15W/2x20W



L285*W50*H50mm
Max:15 mm



Suitable for AC220-240V 50/60Hz
 Single:IP20
 Control: On/Off, Triac 1-10V,
 Lifetime 35000-50000H



2x15W ELRD-2x1572

Lumen:1500-3000lm,3000K CRI>90 Efficacy up to:95 lm/W

Driver	Version	Optics	LED	Finishes
01 On/Off	350mA MAX: 2x15W	Narrow	2700K CRI>90 DCM<3	White
02 Triac dimming		Medium	3000K CRI>90 DCM<3	Grey
03 1-10V dimming		Wide	3500K CRI>90 DCM<3	Black
04 Dall dimming		Super wide	4000K CRI>90 DCM<3	

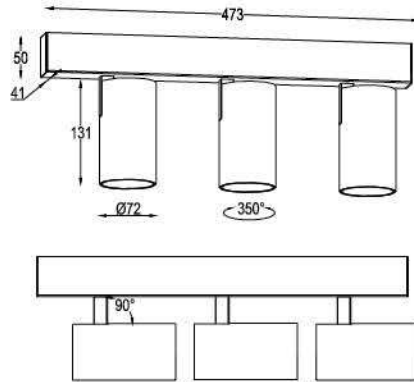
2x20W ELRD-2x2072

Lumen:2600-4000lm,3000K CRI>90 Efficacy up to:92 lm/W

Driver	Version	Optics	LED	Finishes
01 On/Off	500mA MAX: 2x20W	Narrow	2700K CRI>90 DCM<3	White
02 Triac dimming		Medium	3000K CRI>90 DCM<3	Grey
03 1-10V dimming		Wide	3500K CRI>90 DCM<3	Black
04 Dall dimming		Super wide	4000K CRI>90 DCM<3	

CEILING DOTS

3x15W/3x20W



Suitable for AC220-240V 50/60Hz
 Single: IP20
 Control: On/Off, Triac 1-10V,
 Lifetime 35000-50000H



3x15W ELCD-3x1572

Lumen: 2250-4500lm, 3000K CRI>90 Efficacy up to: 95lm/W

Driver	Version	Optics	LED	Finishes
01 On/Off	350mA MAX: 3x15W	Narrow	2700K CRI>90 DCM<3	White
02 Triac dimming		Medium	3000K CRI>90 DCM<3	Grey
03 1-10V dimming		Wide	3500K CRI>90 DCM<3	Black
04 Dali dimming		Super wide	4000K CRI>90 DCM<3	

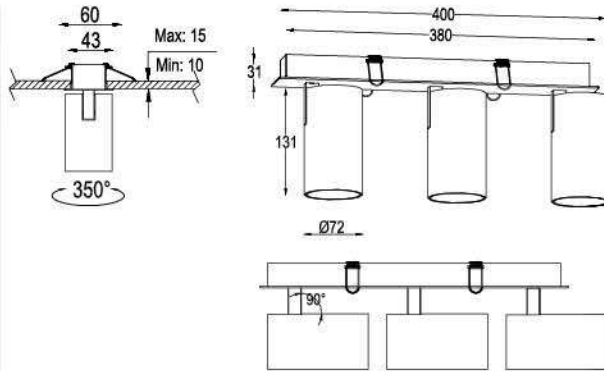
3x20W ELCD-3x2072

Lumen: 3900-6000lm, 3000K CRI>90 Efficacy up to: 92lm/W

Driver	Version	Optics	LED	Finishes
01 On/Off	500mA MAX: 3x20W	Narrow	2700K CRI>90 DCM<3	White
02 Triac dimming		Medium	3000K CRI>90 DCM<3	Grey
03 1-10V dimming		Wide	3500K CRI>90 DCM<3	Black
04 Dali dimming		Super wide	4000K CRI>90 DCM<3	

RECESSED DOTS

3x15W/3x20W



L385*W50*H50mm
Max:15 mm



Suitable for AC220-240V 50/60Hz
 Single:IP20
 Control: On/Off, Triac 1-10V,
 Lifetime 35000-50000H



3x15W ELRD-3x1572

Lumen:2250-4500lm,3000K CRI>90 Efficacy up to:95 lm/W

Driver	Version	Optics	LED	Finishes
01 On/Off	350mA MAX: 3x15W	Narrow	2700K CRI>90 DCM<3	White
02 Triac dimming		Medium	3000K CRI>90 DCM<3	Grey
03 1-10V dimming		Wide	3500K CRI>90 DCM<3	Black
04 Dali dimming		Super wide	4000K CRI>90 DCM<3	

3x20W ELRD-3x2072

Lumen:3900-6000lm,3000K CRI>90 Efficacy up to:92 lm/W

Driver	Version	Optics	LED	Finishes
01 On/Off	500mA MAX: 3x20W	Narrow	2700K CRI>90 DCM<3	White
02 Triac dimming		Medium	3000K CRI>90 DCM<3	Grey
03 1-10V dimming		Wide	3500K CRI>90 DCM<3	Black
04 Dali dimming		Super wide	4000K CRI>90 DCM<3	

Recessed in-out

RECESSED IN-OUT Series, for accent lighting available with narrow, medium, wide and super wide-angle optics, and a variety of matched accessories. The unit can be placed in its internal position, functioning as a general downlights, or in its external position, becoming an accent lighting.



White

Black



WHITE / BLACK / GREY / GOLDEN
ANTI-GLARE SHIELD available on request

With innovative optical guide-light accessory, it improves visual comfort, light distribution, delivers glare-free performance. Excellent thermal management reduces the internal temperature of the housing and ensures the quality of the luminous flux.

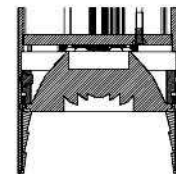
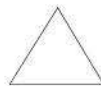
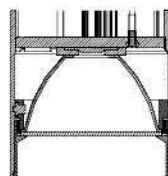
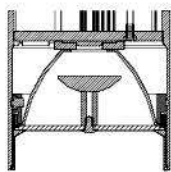
Light Guider



Reflector



Lens



Reflector performance - higher lumen output and lower UGR

Lens performance - very lower beam and higher illuminance

RECESSED IN OUT



— Glass —●

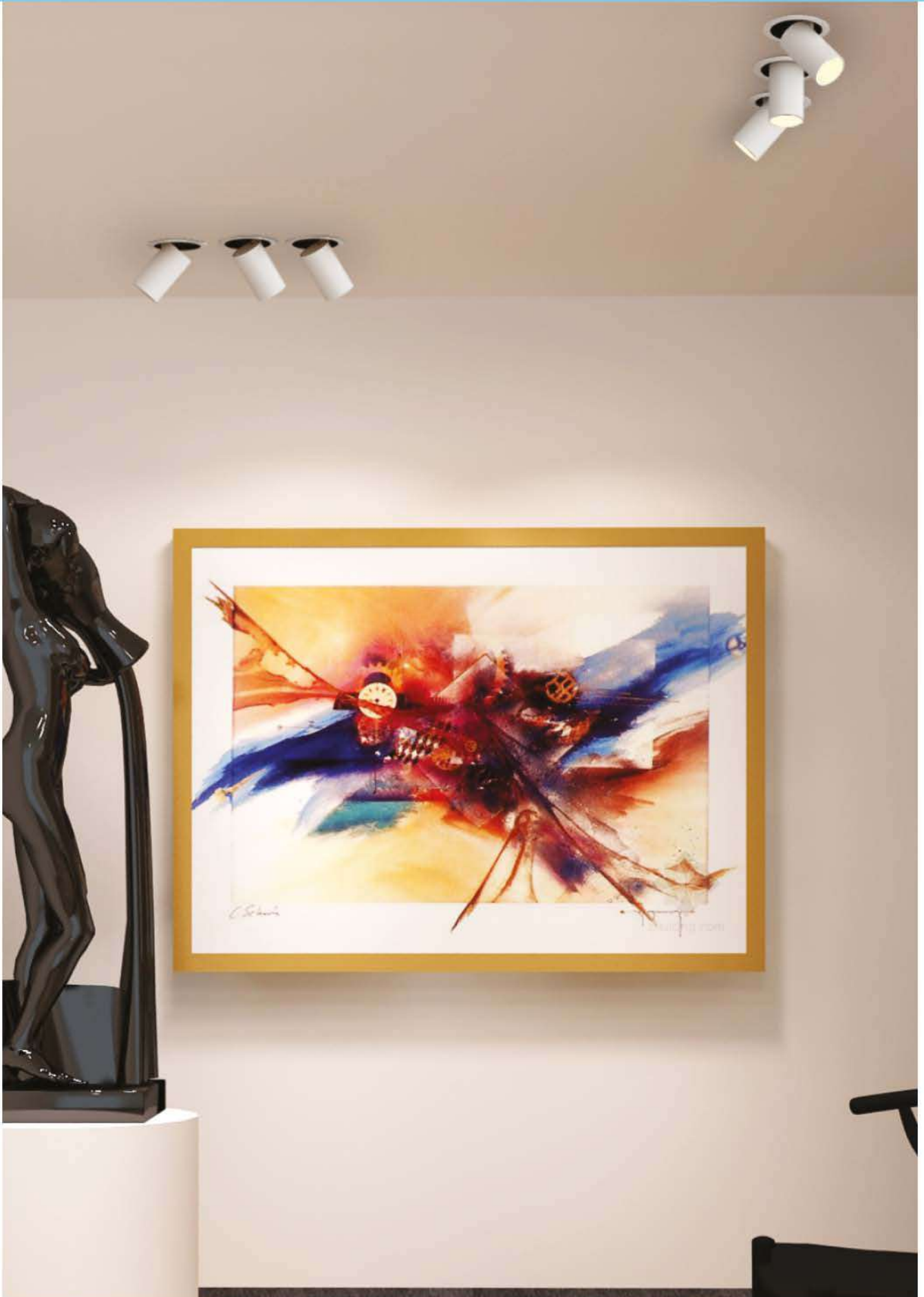
— Linear Spread Lens —●

— Spread Lens —●

— Honeycomb —●

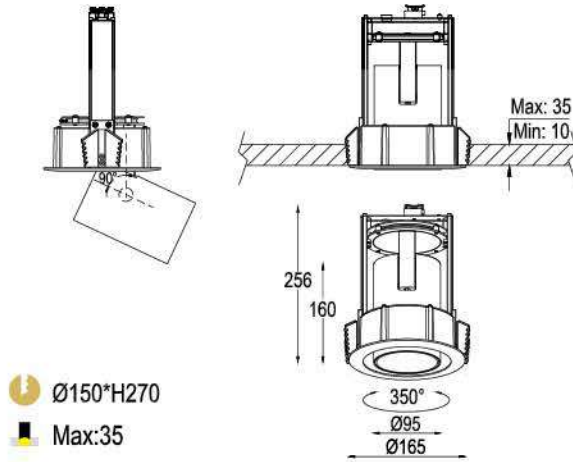
— Trim —●





RECESSED IN OUT

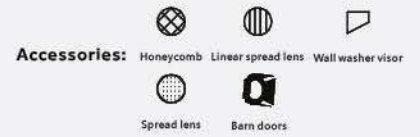
28W/36W



Ø150*H270
Max:35



Suitable for AC220-240V 50/60Hz
Single:IP20
Control: On/Off, Triac 1-10V,
Lifetime 35000-50000H



28W ELRIO-28165-E

Lumen:1820-2520lm,3000K CRI>90 Efficacy up to:90lm/W

Driver	Version	Optics	LED	Finishes
01 On/Off	700mA MAX:28W	Narrow	2700K CRI>90 DCM<3	White
02 Triac dimming		Medium	3000K CRI>90 DCM<3	Grey
03 1-10V dimming		Wide	3500K CRI>90 DCM<3	Black
04 Dali dimming		Super wide	4000K CRI>90 DCM<3	

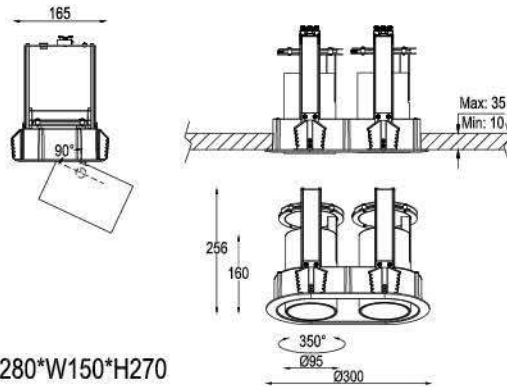
36W ELRIO-36165-E

Lumen:2340-3240lm,3000K CRI>90 Efficacy up to:90lm/W

Driver	Version	Optics	LED	Finishes
01 On/Off	900mA MAX:36W	Narrow	2700K CRI>90 DCM<3	White
02 Triac dimming		Medium	3000K CRI>90 DCM<3	Grey
03 1-10V dimming		Wide	3500K CRI>90 DCM<3	Black
04 Dali dimming		Super wide	4000K CRI>90 DCM<3	

RECESSED IN-OUT

2*28W/2*36W



L280*W150*H270
 Max:35



Suitable for AC220-240V 50/60Hz
 Single:IP20
 Control: On/Off, Triac 1-10V,
 Lifetime 35000-50000H



28W ELRIO-2x28-E

Lumen:1820-2520lm,3000K CRI>90 Efficacy up to:90lm/W

Driver	Version	Optics	LED	Finishes
01 On/Off	700mA MAX: 28W	Narrow	2700K CRI>90 DCM<3	White
02 Triac dimming		Medium	3000K CRI>90 DCM<3	Grey
03 1-10V dimming		Wide	3500K CRI>90 DCM<3	Black
04 Dali dimming		Super wide	4000K CRI>90 DCM<3	

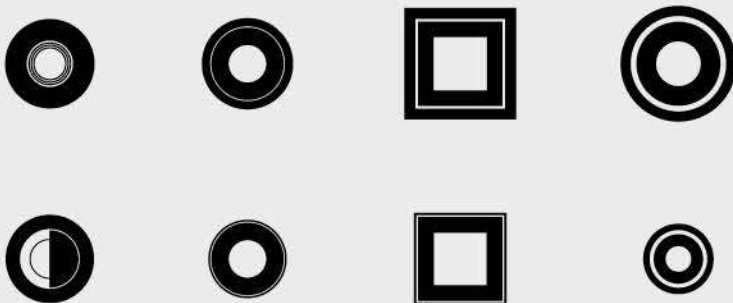
36W ELRIO-2x36-E

Lumen:2340-3240lm,3000K CRI>90 Efficacy up to:90lm/W

Driver	Version	Optics	LED	Finishes
01 On/Off	900mA MAX: 36W	Narrow	2700K CRI>90 DCM<3	White
02 Triac dimming		Medium	3000K CRI>90 DCM<3	Grey
03 1-10V dimming		Wide	3500K CRI>90 DCM<3	Black
04 Dali dimming		Super wide	4000K CRI>90 DCM<3	

The innovation of accent lighting

INVISIBLE LIGHTS



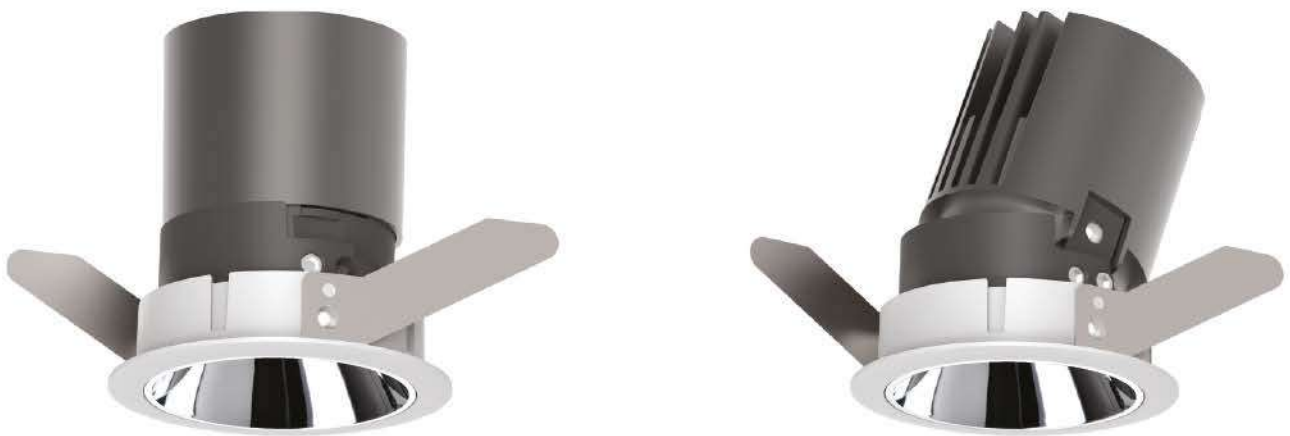


Accent Lighting

The INVISIBLE LIGHTS series includes built-in anti-glare architectural lights. The most important feature is the invisible light source with an excellent illumination. In accordance with architectural design, it allows many different combinations, achieving perfect accent or ambient lighting with efficient visual comfort.



Combo



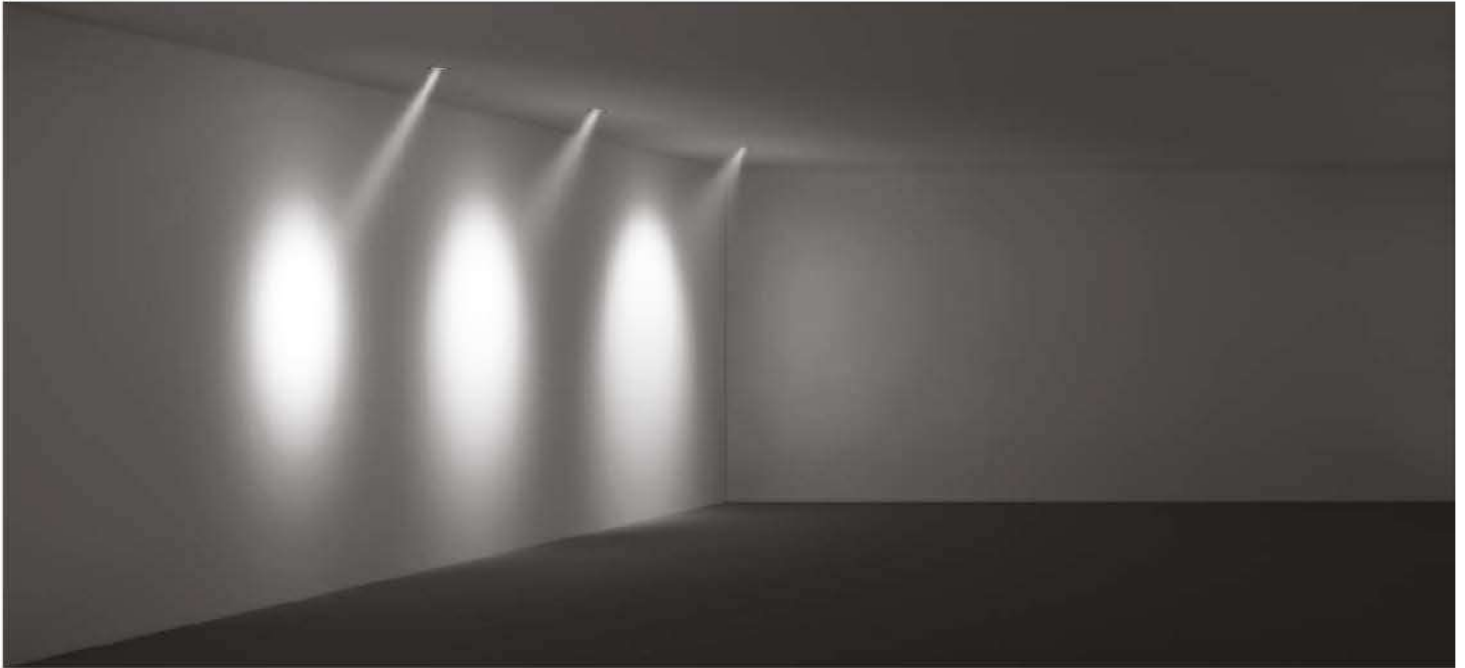
7W / 10W / 15W

White

Black



--- BLACK / DARKLIGHT / GOLDEN ---
ANTI-GLARE SHIELD available on request

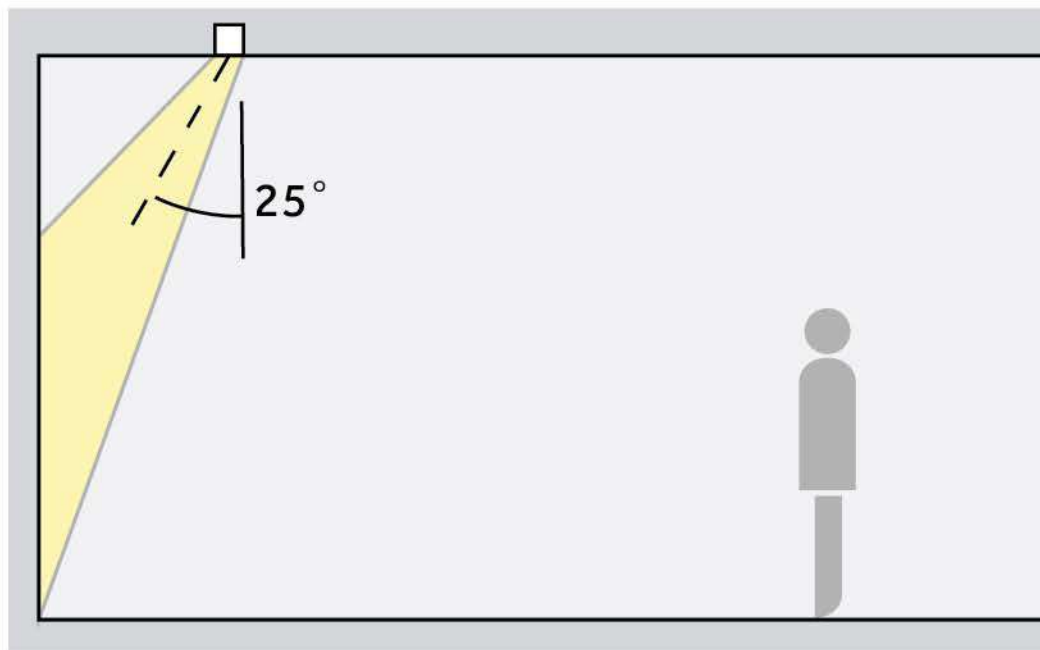
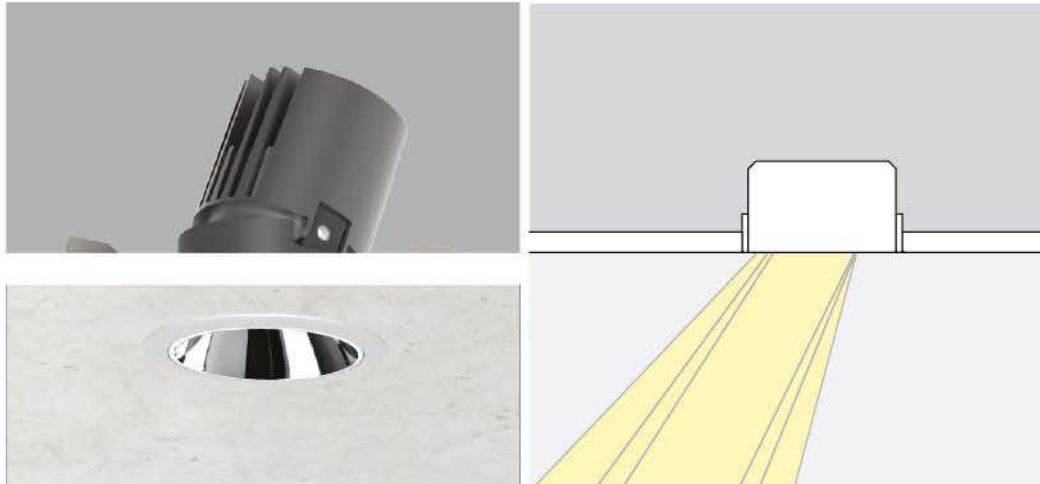


Recessed floodlights

The ideal angle of tilt (α) is around 25° .

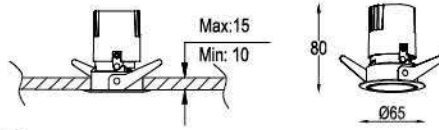
Accentuation

Emphasis of objects or architectural elements.



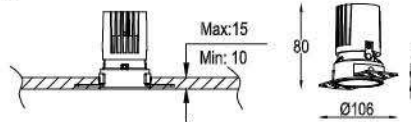
COMBO LIGHT

7W



ⓘ Ø55*H120mm

Ⓜ Max: 15mm



ⓘ Ø60*H100mm

Ⓜ Max: 20mm



Suitable for AC220-240V 50/60Hz
Single: IP20
Control: On/Off, Triac, 1-10V dimming;
Lifetime 35000-50000H



Accessories: Honeycomb Linear spread lens Spread lens

7W ELCOMBO-0765

(Visible)

Lumen: 210-350 lm, 3000K CRI > 90 Efficacy up to: 50 lm/W

Driver	Version	Optics	LED	Finishes
01 On/Off	180mA MAX: 7W	Narrow	2700K CRI > 90 DCM < 3	White
02 Triac dimming		Medium	3000K CRI > 90 DCM < 3	Black
03 1-10V dimming		Wide	3500K CRI > 90 DCM < 3	
			4000K CRI > 90 DCM < 3	

7W ELCOMBO-07106

(Trimless)

Lumen: 210-350 lm, 3000K CRI > 90 Efficacy up to: 50 lm/W

Driver	Version	Optics	LED	Finishes
01 On/Off	180mA MAX: 7W	Narrow	2700K CRI > 90 DCM < 3	White
02 Triac dimming		Medium	3000K CRI > 90 DCM < 3	Black
03 1-10V dimming		Wide	3500K CRI > 90 DCM < 3	
			4000K CRI > 90 DCM < 3	

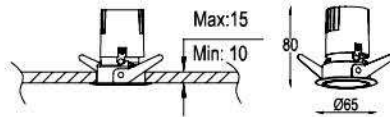
COMBO LIGHT

7W



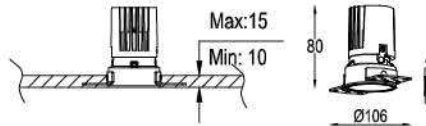
Ø55*H120mm

Max:15mm



Ø60*H100mm

Max:20mm



Suitable for AC220-240V 50/60Hz
Single: IP20
Control: On/Off, Triac, 1-10V dimming;
Lifetime 35000-50000H

Accessories: Honeycomb Linear spread lens Spread lens

7W ELCOMBO-0765-ASY

(Visible)

Lumen:210-350 lm,3000K CRI>90 Efficacy up to:50 lm/W

Driver	Version	Optics	LED	Finishes
01 On/Off	180mA MAX: 7W	Narrow	2700K CRI>90 DCM<3	White
02 Triac dimming		Medium	3000K CRI>90 DCM<3	Black
03 1-10V dimming		Wide	3500K CRI>90 DCM<3	
			4000K CRI>90 DCM<3	

7W ELCOMBO-07106-ASY

(Trimless)

Lumen:210-350 lm,3000K CRI>90 Efficacy up to:50 lm/W

Driver	Version	Optics	LED	Finishes
01 On/Off	180mA MAX: 7W	Narrow	2700K CRI>90 DCM<3	White
02 Triac dimming		Medium	3000K CRI>90 DCM<3	Black
03 1-10V dimming		Wide	3500K CRI>90 DCM<3	
			4000K CRI>90 DCM<3	

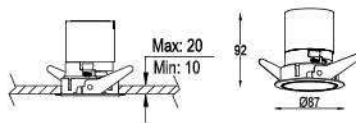
COMBO LIGHT

7W/10W



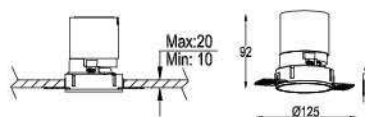
🔌 Ø75*H113.5mm

📏 Max:20mm



🔌 Ø80*H113.5mm

📏 Max:20mm



Suitable for AC220-240V 50/60Hz
Single: IP20
Control: On/Off, Triac, 1-10V
Lifetime 35000-50000H

Accessories: Honeycomb Linear spread lens Spread lens

7W ELCOMBO-0787

[Visible]

Lumen:210-350lm,3000K CRI>90 Efficacy up to:50lm/W

Driver	Version	Optics	LED	Finishes
01 On/Off	180mA MAX: 7W	Narrow	2700K CRI>90 DCM<3	White
02 Triac dimming		Medium	3000K CRI>90 DCM<3	Black
03 1-10V dimming		Wide	3500K CRI>90 DCM<3	
			4000K CRI>90 DCM<3	

10W ELCOMBO-1087

[Visible]

Lumen:300-500lm,3000K CRI>90 Efficacy up to:50lm/W

Driver	Version	Optics	LED	Finishes
01 On/Off	250mA MAX: 10W	Narrow	2700K CRI>90 DCM<3	White
02 Triac dimming		Medium	3000K CRI>90 DCM<3	Black
03 1-10V dimming		Wide	3500K CRI>90 DCM<3	
04 Dall dimming			4000K CRI>90 DCM<3	

7W ELCOMBO-07125

[Trimless]

Lumen:210-350lm,3000K CRI>90 Efficacy up to:50lm/W

Driver	Version	Optics	LED	Finishes
01 On/Off	180mA MAX: 7W	Narrow	2700K CRI>90 DCM<3	White
02 Triac dimming		Medium	3000K CRI>90 DCM<3	Black
03 1-10V dimming		Wide	3500K CRI>90 DCM<3	
			4000K CRI>90 DCM<3	

10W ELCOMBO-10125

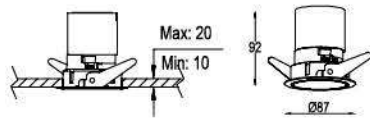
[Trimless]

Lumen:300-500lm,3000K CRI>90 Efficacy up to:50lm/W

Driver	Version	Optics	LED	Finishes
01 On/Off	250mA MAX: 10W	Narrow	2700K CRI>90 DCM<3	White
02 Triac dimming		Medium	3000K CRI>90 DCM<3	Black
03 1-10V dimming		Wide	3500K CRI>90 DCM<3	
04 Dall dimming			4000K CRI>90 DCM<3	

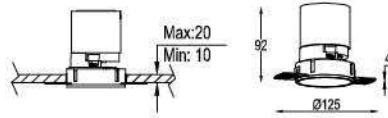
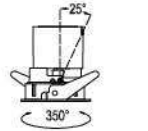
COMBO LIGHT

7W/10W



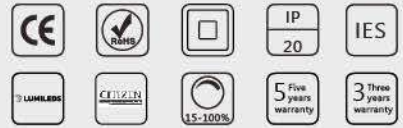
⚡ Ø75*H113.5mm

⚡ Max:20mm



⚡ Ø80*H113.5mm

⚡ Max:20mm



Suitable for AC220-240V 50/60Hz
Single: IP20
Control: On/Off, Triac, 1-10V
Lifetime 35000-50000H



Accessories: Honeycomb Linear spread lens Spread lens

7W ELCOMBO-0787-ASY

[Visible]

Lumen:210-350lm,3000K CRI>90 Efficacy up to:50lm/W

Driver	Version	Optics	LED	Finishes
01 On/Off	180mA MAX: 7W	Narrow	2700K CRI>90 DCM<3	White
02 Triac dimming		Medium	3000K CRI>90 DCM<3	Black
03 1-10V dimming		Wide	3500K CRI>90 DCM<3	
			4000K CRI>90 DCM<3	

10W ELCOMBO-1087-ASY

[Visible]

Lumen:300-500lm,3000K CRI>90 Efficacy up to:50lm/W

Driver	Version	Optics	LED	Finishes
01 On/Off	250mA MAX: 10W	Narrow	2700K CRI>90 DCM<3	White
02 Triac dimming		Medium	3000K CRI>90 DCM<3	Black
03 1-10V dimming		Wide	3500K CRI>90 DCM<3	
04 Dali dimming			4000K CRI>90 DCM<3	

7W ELCOMBO-07125-ASY

[Trimless]

Lumen:210-350lm,3000K CRI>90 Efficacy up to:50lm/W

Driver	Version	Optics	LED	Finishes
01 On/Off	180mA MAX: 7W	Narrow	2700K CRI>90 DCM<3	White
02 Triac dimming		Medium	3000K CRI>90 DCM<3	Black
03 1-10V dimming		Wide	3500K CRI>90 DCM<3	
			4000K CRI>90 DCM<3	

10W ELCOMBO-10125-ASY

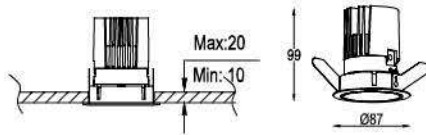
[Trimless]

Lumen:300-500lm,3000K CRI>90 Efficacy up to:50lm/W

Driver	Version	Optics	LED	Finishes
01 On/Off	250mA MAX: 10W	Narrow	2700K CRI>90 DCM<3	White
02 Triac dimming		Medium	3000K CRI>90 DCM<3	Black
03 1-10V dimming		Wide	3500K CRI>90 DCM<3	
04 Dali dimming			4000K CRI>90 DCM<3	

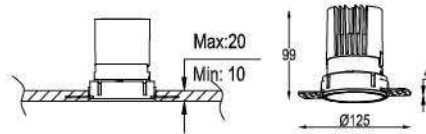
COMBO LIGHT

15W



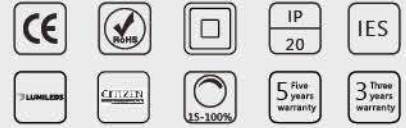
⚡ Ø75mm*H120mm

📏 Max:20mm



⚡ Ø80mm*H120mm

📏 Max:20mm



Suitable for AC220-240V 50/60Hz
Single: IP20
Control: On/Off, Triac, 1-10V
Lifetime 35000-50000H



Accessories: Honeycomb Linear spread lens Spread lens

15W ELCOMBO-1587

(Visible)

Lumen:825-1050 lm,3000K CRI>90 Efficacy up to:70 lm/W

Driver	Version	Optics	LED	Finishes
01 On/Off	350mA MAX: 15W	Narrow	2700K CRI>90 DCM<3	White
02 Triac dimming		Medium	3000K CRI>90 DCM<3	Black
03 1-10V dimming		Wide	3500K CRI>90 DCM<3	
04 Dali dimming			4000K CRI>90 DCM<3	

15W ELCOMBO-15125

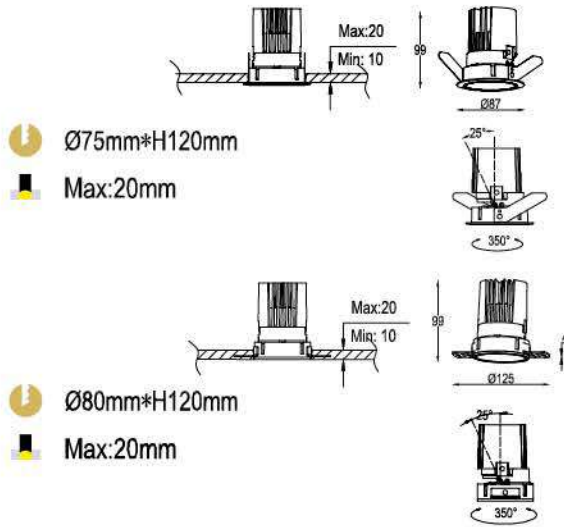
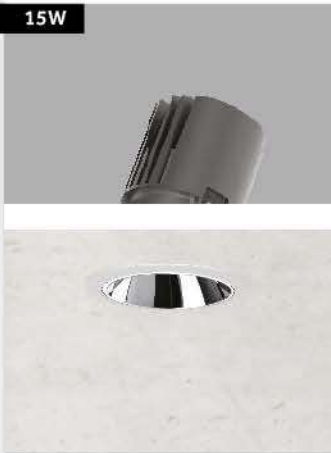
(Trimless)

Lumen:825-1050 lm,3000K CRI>90 Efficacy up to:70 lm/W

Driver	Version	Optics	LED	Finishes
01 On/Off	350mA MAX: 15W	Narrow	2700K CRI>90 DCM<3	White
02 Triac dimming		Medium	3000K CRI>90 DCM<3	Black
03 1-10V dimming		Wide	3500K CRI>90 DCM<3	
04 Dali dimming			4000K CRI>90 DCM<3	

COMBO LIGHT

15W

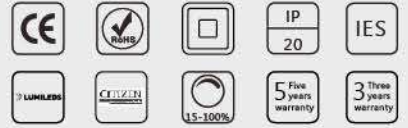


⚡ Ø75mm*H120mm

⚡ Max:20mm

⚡ Ø80mm*H120mm

⚡ Max:20mm



Suitable for AC220-240V 50/60Hz
Single: IP20
Control: On/Off, Triac, 1-10V
Lifetime 35000-50000H

Accessories: Honeycomb Linear spread lens Spread lens

15W ELCOMBO-1587-ASY

(Visible)

Lumen:825-1050 lm,3000K CRI>90 Efficacy up to:70 lm/W

Driver	Version	Optics	LED	Finishes
01 On/Off	350mA MAX: 15W	Narrow	2700K CRI>90 DCM<3	<input type="checkbox"/> White
02 Triac dimming		Medium	3000K CRI>90 DCM<3	<input checked="" type="checkbox"/> Black
03 1-10V dimming		Wide	3500K CRI>90 DCM<3	
04 Dali dimming			4000K CRI>90 DCM<3	

15W ELCOMBO-15125-ASY

(Trimless)

Lumen:825-1050 lm,3000K CRI>90 Efficacy up to:70 lm/W

Driver	Version	Optics	LED	Finishes
01 On/Off	350mA MAX: 15W	Narrow	2700K CRI>90 DCM<3	<input type="checkbox"/> White
02 Triac dimming		Medium	3000K CRI>90 DCM<3	<input checked="" type="checkbox"/> Black
03 1-10V dimming		Wide	3500K CRI>90 DCM<3	
04 Dali dimming			4000K CRI>90 DCM<3	

Square



Finish:



White



Black

Square



Reflector Finish:



General shield color in gold and black.

Customized shield color in darklight and champagne gold, available on request.

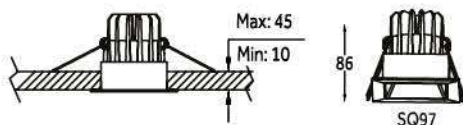
Square



Combination of 1, 2 or 3 module LEDs make up the SQUARE series. A possibility of installation with or without edge and obtaining of $UGR \leq 18$. Glare-Free optical accessories, satin, opaque and with various light beam openings are available to suit to different applications.

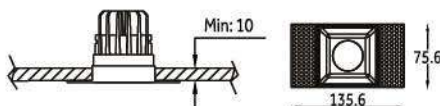
SQUARE

7W/10W

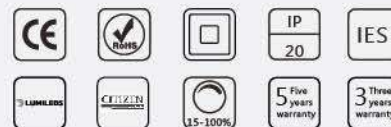
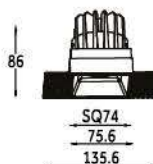


SQ80*H96mm

Max:45mm



SQ80*H96mm



Suitable for AC220-240V 50/60Hz
Single: IP20
Control: On/Off, Triac, 1-10V,
Lifetime 35000-50000H

Accessories: Stripe Cover Matt Cover Square Cover

7W ELS-0797

(Visible)

Lumen: 490-650 lm, 3000K CRI>90 Efficacy up to: 90 lm/W

Driver	Version	Optics	LED	Finishes
01 On/Off	180mA MAX: 7W	Narrow	2700K CRI>90 DCM<3	White
02 Triac dimming		Medium	3000K CRI>90 DCM<3	Black
03 1-10V dimming		Wide	3500K CRI>90 DCM<3	
			4000K CRI>90 DCM<3	

10W ELS-1097

(Visible)

Lumen: 700-900 lm, 3000K CRI>90 Efficacy up to: 90 lm/W

Driver	Version	Optics	LED	Finishes
01 On/Off	250mA MAX: 10W	Narrow	2700K CRI>90 DCM<3	White
02 Triac dimming		Medium	3000K CRI>90 DCM<3	Black
03 1-10V dimming		Wide	3500K CRI>90 DCM<3	
04 Dali dimming			4000K CRI>90 DCM<3	

7W ELS-07135

(Trimless)

Lumen: 490-650 lm, 3000K CRI>90 Efficacy up to: 90 lm/W

Driver	Version	Optics	LED	Finishes
01 On/Off	180mA MAX: 7W	Narrow	2700K CRI>90 DCM<3	White
02 Triac dimming		Medium	3000K CRI>90 DCM<3	Black
03 1-10V dimming		Wide	3500K CRI>90 DCM<3	
			4000K CRI>90 DCM<3	

10W ELS-10135

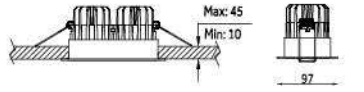
(Trimless)

Lumen: 700-900 lm, 3000K CRI>90 Efficacy up to: 90 lm/W

Driver	Version	Optics	LED	Finishes
01 On/Off	250mA MAX: 10W	Narrow	2700K CRI>90 DCM<3	White
02 Triac dimming		Medium	3000K CRI>90 DCM<3	Black
03 1-10V dimming		Wide	3500K CRI>90 DCM<3	
04 Dali dimming			4000K CRI>90 DCM<3	

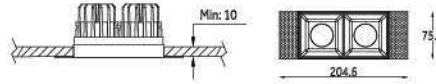
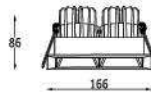
SQUARE

2*7W/2*10W

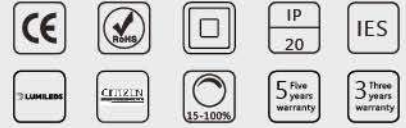
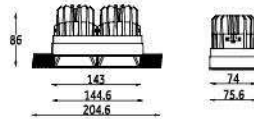


L148*W80*H96mm

Max:45mm



L148*W80*H96mm



Suitable for AC220-240V 50/60Hz
Single: IP20
Control: On/Off, Triac, 1-10V
Lifetime 35000-50000H

Accessories: Stripe Cover Matt Cover Square Cover

2x7W ELS-2x0797

(Visible)

Lumen:980-1300lm,3000K CRI>90 Efficacy up to:90lm/W

Driver	Version	Optics	LED	Finishes
01 On/Off	180mA MAX: 7W	Narrow	2700K CRI>90 DCM<3	<input type="checkbox"/> White
02 Triac dimming		Medium	3000K CRI>90 DCM<3	<input checked="" type="checkbox"/> Black
03 1-10V dimming		Wide	3500K CRI>90 DCM<3	
04 Dali dimming			4000K CRI>90 DCM<3	

2x10W ELS-2x1097

(Visible)

Lumen:1400-1800lm,3000K CRI>90 Efficacy up to:90lm/W

Driver	Version	Optics	LED	Finishes
01 On/Off	250mA MAX: 10W	Narrow	2700K CRI>90 DCM<3	<input type="checkbox"/> White
02 Triac dimming		Medium	3000K CRI>90 DCM<3	<input checked="" type="checkbox"/> Black
03 1-10V dimming		Wide	3500K CRI>90 DCM<3	
04 Dali dimming			4000K CRI>90 DCM<3	

2x7W ELS-2x07135

(Trimless)

Lumen:980-1300lm,3000K CRI>90 Efficacy up to:90lm/W

Driver	Version	Optics	LED	Finishes
01 On/Off	180mA MAX: 7W	Narrow	2700K CRI>90 DCM<3	<input type="checkbox"/> White
02 Triac dimming		Medium	3000K CRI>90 DCM<3	<input checked="" type="checkbox"/> Black
03 1-10V dimming		Wide	3500K CRI>90 DCM<3	
04 Dali dimming			4000K CRI>90 DCM<3	

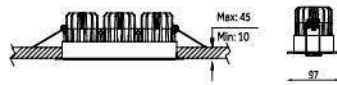
2x10W ELS-2x10135

(Trimless)

Lumen:1400-1800lm,3000K CRI>90 Efficacy up to:90lm/W

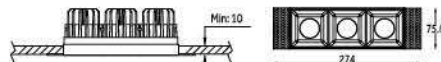
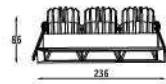
Driver	Version	Optics	LED	Finishes
01 On/Off	250mA MAX: 10W	Narrow	2700K CRI>90 DCM<3	<input type="checkbox"/> White
02 Triac dimming		Medium	3000K CRI>90 DCM<3	<input checked="" type="checkbox"/> Black
03 1-10V dimming		Wide	3500K CRI>90 DCM<3	
04 Dali dimming			4000K CRI>90 DCM<3	

3*7W/3*10W

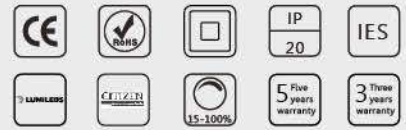
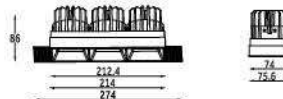


L218*W80*H96mm

Max:45mm



L218*W80*H96mm



Suitable for AC220-240V 50/60Hz
 Single: IP20
 Control: On/Off, Triac, 1-10V
 Lifetime 35000-50000H

Accessories: Stripe Cover Matt Cover Square Cover

3x7W ELS-3x0797

(Visible)

Lumen:1470-1950lm,3000K CRI>90 Efficacy up to:90lm/W

Driver	Version	Optics	LED	Finishes
01 On/Off	180mA MAX: 7W	Narrow	2700K CRI>90 DCM<3	<input type="checkbox"/> White
02 Triac dimming		Medium	3000K CRI>90 DCM<3	<input checked="" type="checkbox"/> Black
03 1-10V dimming		Wide	3500K CRI>90 DCM<3	
04 Dali dimming			4000K CRI>90 DCM<3	

3x10W ELS-3x1097

(Visible)

Lumen:2100-2700lm,3000K CRI>90 Efficacy up to:90lm/W

Driver	Version	Optics	LED	Finishes
01 On/Off	250mA MAX: 10W	Narrow	2700K CRI>90 DCM<3	<input type="checkbox"/> White
02 Triac dimming		Medium	3000K CRI>90 DCM<3	<input checked="" type="checkbox"/> Black
03 1-10V dimming		Wide	3500K CRI>90 DCM<3	
04 Dali dimming			4000K CRI>90 DCM<3	

3x7W ELS-3x07135

(Trimless)

Lumen:1470-1950lm,3000K CRI>90 Efficacy up to:90lm/W

Driver	Version	Optics	LED	Finishes
01 On/Off	180mA MAX: 7W	Narrow	2700K CRI>90 DCM<3	<input type="checkbox"/> White
02 Triac dimming		Medium	3000K CRI>90 DCM<3	<input checked="" type="checkbox"/> Black
03 1-10V dimming		Wide	3500K CRI>90 DCM<3	
04 Dali dimming			4000K CRI>90 DCM<3	

3x10W ELS-3x10135

(Trimless)

Lumen:2100-2700lm,3000K CRI>90 Efficacy up to:90lm/W

Driver	Version	Optics	LED	Finishes
01 On/Off	250mA MAX: 10W	Narrow	2700K CRI>90 DCM<3	<input type="checkbox"/> White
02 Triac dimming		Medium	3000K CRI>90 DCM<3	<input checked="" type="checkbox"/> Black
03 1-10V dimming		Wide	3500K CRI>90 DCM<3	
04 Dali dimming			4000K CRI>90 DCM<3	

Anti-glare



White



Black



Black



Golden



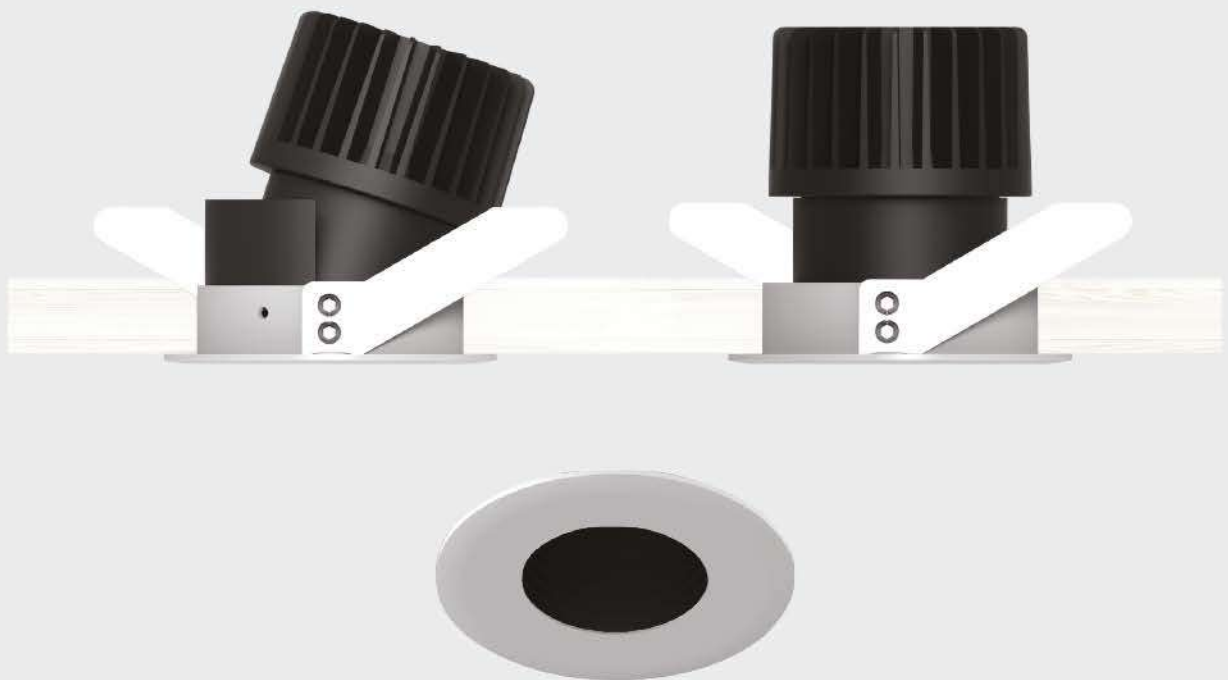
Black



Golden

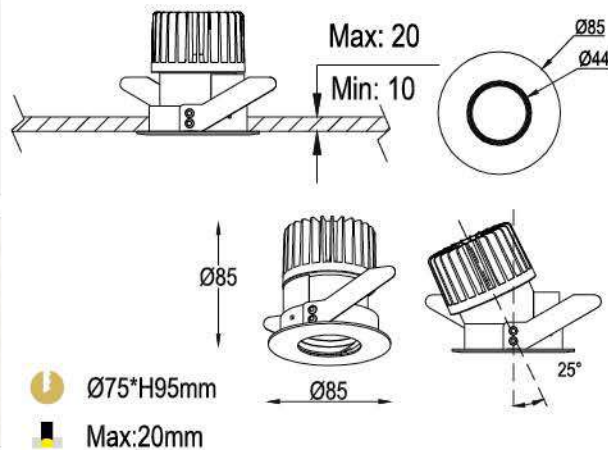
BLACK / GOLDEN
ANTI-GLARE SHIELD available on request

The ANTI-GLARE series has various angles of the beam and a high CRI, with the UGR < 12, creating a uniform light effect and no flare. Fixed or adjustable, with white or black finish, it is suitable as a general solution for all applications in architectural lighting.

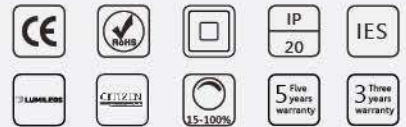


ANTI-GLARE

7W/10W/15W



⚡ $\varnothing 75 \times H95 \text{mm}$
 📏 Max: 20mm



Suitable for AC220-240V 50/60Hz
 Single: IP20
 Control: On/Off, Triac, 1-10V
 Lifetime 35000-50000H

Accessories: Honeycomb Linear spread lens

7W ELAG-0785-ASY

Lumen: 450-670lm, 3000K CRI>90 Efficacy up to: 90lm/W

Driver	Version	Optics	LED	Finishes
01 On/Off	180mA MAX: 7W	Narrow	2700K CRI>90 DCM<3	<input type="checkbox"/> White
02 Triac dimming		Medium	3000K CRI>90 DCM<3	<input checked="" type="checkbox"/> Black
03 1-10V dimming		Wide	3500K CRI>90 DCM<3	
			4000K CRI>90 DCM<3	

10W ELAG-1085-ASY

Lumen: 650-950lm, 3000K CRI>90 Efficacy up to: 90lm/W

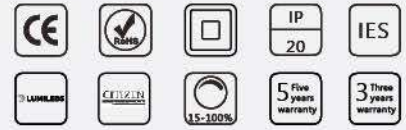
Driver	Version	Optics	LED	Finishes
01 On/Off	250mA MAX: 10W	Narrow	2700K CRI>90 DCM<3	<input type="checkbox"/> White
02 Triac dimming		Medium	3000K CRI>90 DCM<3	<input checked="" type="checkbox"/> Black
03 1-10V dimming		Wide	3500K CRI>90 DCM<3	
04 Dali dimming			4000K CRI>90 DCM<3	

15W ELAG-1585

Lumen: 750-1500lm, 3000K CRI>90 Efficacy up to: 90lm/W

Driver	Version	Optics	LED	Finishes
01 On/Off	350mA MAX: 15W	Narrow	2700K CRI>90 DCM<3	<input type="checkbox"/> White
02 Triac dimming		Medium	3000K CRI>90 DCM<3	<input checked="" type="checkbox"/> Black
03 1-10V dimming		Wide	3500K CRI>90 DCM<3	
04 Dali dimming			4000K CRI>90 DCM<3	

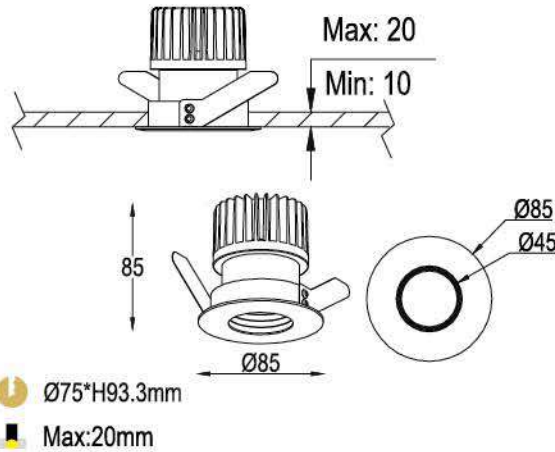
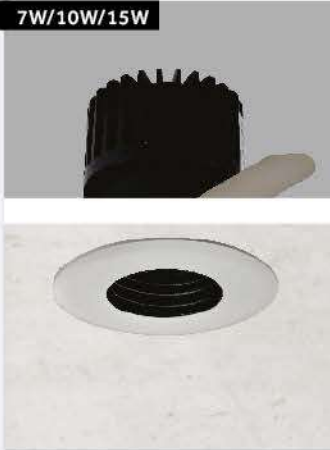
ANTI-GLARE



Suitable for AC220-240V 50/60Hz
 Single: IP20
 Control: On/Off, Triac, 1-10V
 Lifetime 35000-50000H

Accessories: Honeycomb Linear spread lens

7W/10W/15W



7W ELAG-0785

Lumen:450-670 lm,3000K CRI>90 Efficacy up to:90 lm/W

Driver	Version	Optics	LED	Finishes
01 On/Off	180mA MAX:7W	Narrow	2700K CRI>90 DCM<3	White
02 Triac dimming		Medium	3000K CRI>90 DCM<3	Black
03 1-10V dimming		Wide	3500K CRI>90 DCM<3	
			4000K CRI>90 DCM<3	

10W ELAG-1085

Lumen:650-950 lm,3000K CRI>90 Efficacy up to:90 lm/W

Driver	Version	Optics	LED	Finishes
01 On/Off	250mA MAX:10W	Narrow	2700K CRI>90 DCM<3	White
02 Triac dimming		Medium	3000K CRI>90 DCM<3	Black
03 1-10V dimming		Wide	3500K CRI>90 DCM<3	
04 Dali dimming			4000K CRI>90 DCM<3	

15W ELAG-1585

Lumen:750-1500 lm,3000K CRI>90 Efficacy up to:90 lm/W

Driver	Version	Optics	LED	Finishes
01 On/Off	350mA MAX:15W	Narrow	2700K CRI>90 DCM<3	White
02 Triac dimming		Medium	3000K CRI>90 DCM<3	Black
03 1-10V dimming		Wide	3500K CRI>90 DCM<3	
04 Dali dimming			4000K CRI>90 DCM<3	





New Wall-Washer



White

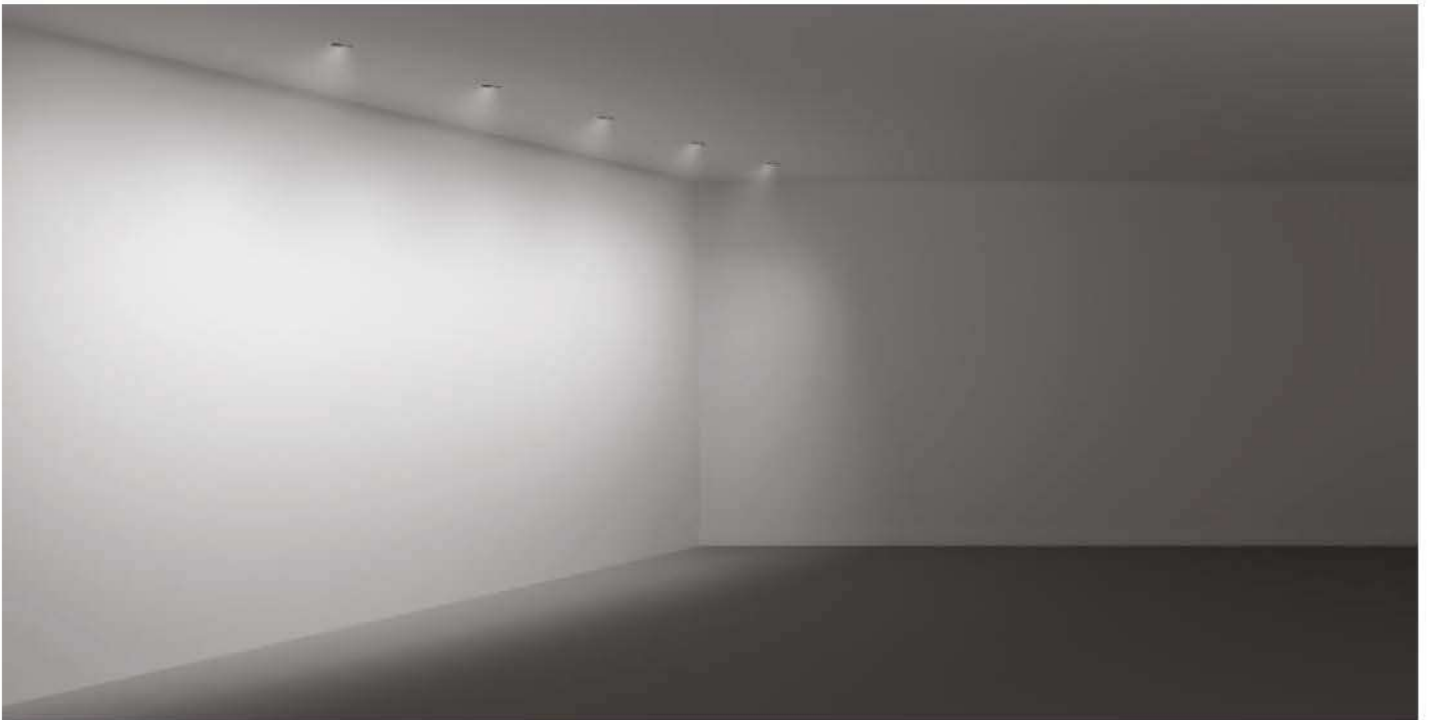
Black



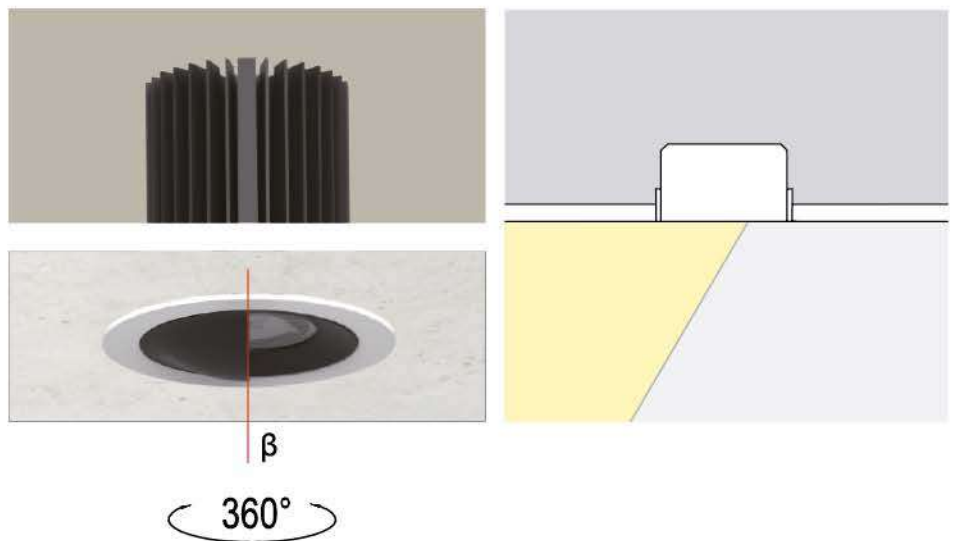
White

Black

Golden



Wallwashing
Vertical illuminance for
brightening and dividing
the space

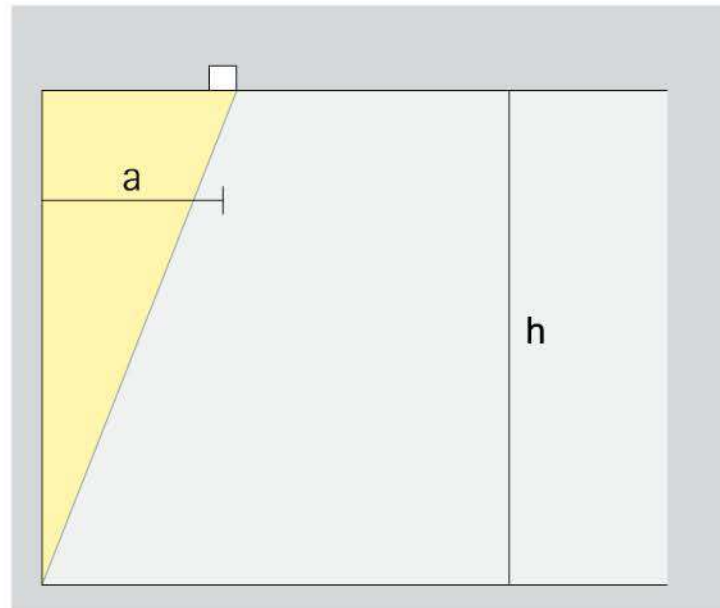


NEW WALL-WASHER

Wallwashing

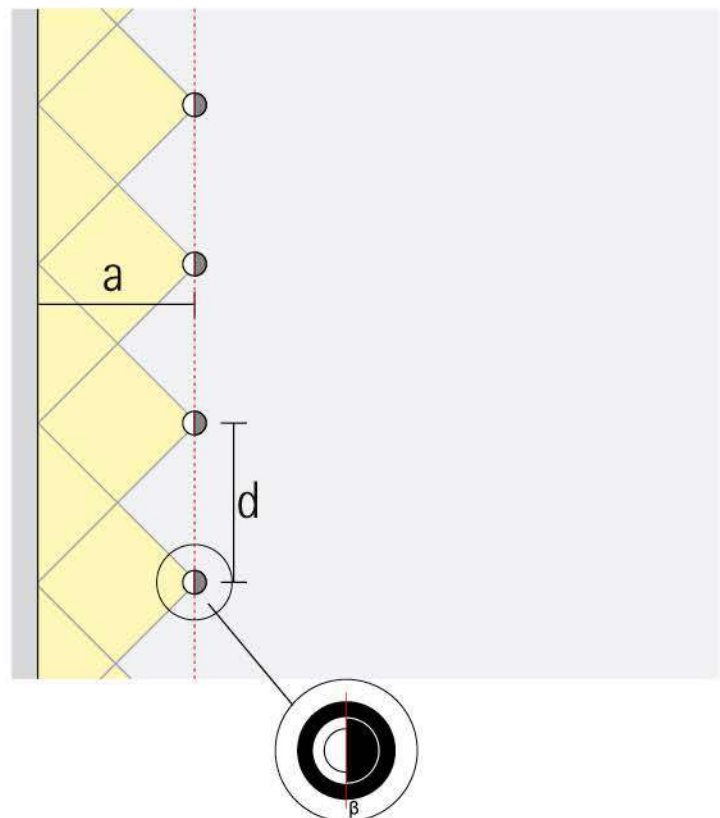
For uniform vertical illuminance, the distance (a) of the luminaire from the wall should be around one third of the room height (h). Optimal wall offset and luminaire spacing values are indicated in the wallwasher tables on the product data sheets.

Rough guide: $a = 1/3 \times h$



For good longitudinal uniformity, the spacing (d) of lens wallwashers may be up to 1.3 times the offset from the wall (a).

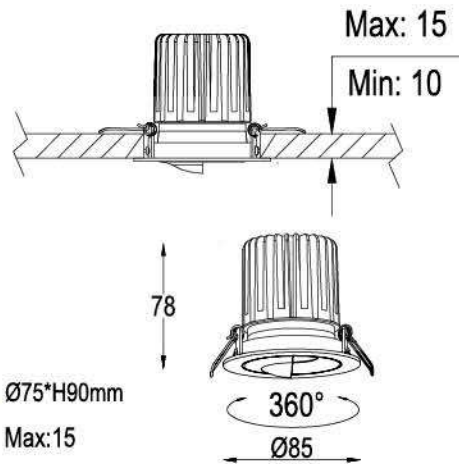
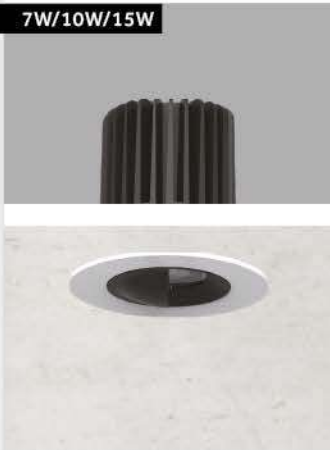
Arrangement: $d \leq 1.3 \times a$



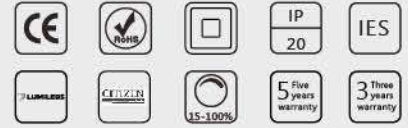
Please make sure install all luminaire in same direction which its keep β parallel with the wall.

NEW WALL-WASHER

7W/10W/15W



⚠️ Ø75*H90mm
 🏠 Max:15



Suitable for AC220-240V 50/60Hz
 Single:IP20
 Control:On/Off, Triac dimming;
 Lifetime 35000-50000H

7W ELWW-0785-ASY

Lumen:235-350lm,3000K CRI>90 Efficacy up to:50lm/W

Driver	Version	Optics	LED	Finishes
01 On/Off	180mA MAX: 7W	Asymmetrical	2700K CRI>90 DCM<3	White
02 Triac dimming			3000K CRI>90 DCM<3	Black
03 1-10V dimming			3500K CRI>90 DCM<3	
			4000K CRI>90 DCM<3	

10W ELWW-1085-ASY

Lumen:330-500lm,3000K CRI>90 Efficacy up to:50lm/W

Driver	Version	Optics	LED	Finishes
01 On/Off	250mA MAX: 10W	Asymmetrical	2700K CRI>90 DCM<3	White
02 Triac dimming			3000K CRI>90 DCM<3	Black
03 1-10V dimming			3500K CRI>90 DCM<3	
04 Dali dimming			4000K CRI>90 DCM<3	

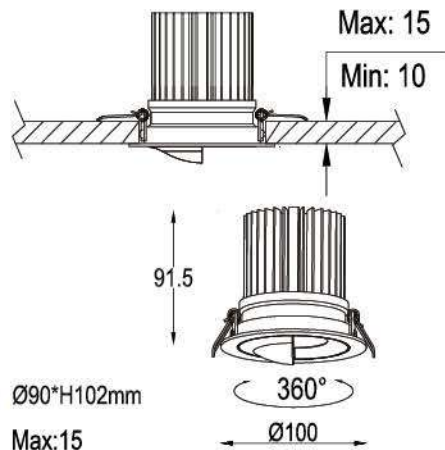
15W ELWW-1585-ASY

Lumen:495-750lm,3000K CRI>90 Efficacy up to:50lm/W

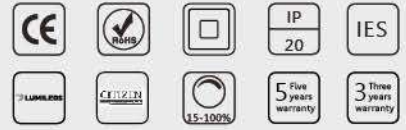
Driver	Version	Optics	LED	Finishes
01 On/Off	350mA MAX: 15W	Asymmetrical	2700K CRI>90 DCM<3	White
02 Triac dimming			3000K CRI>90 DCM<3	Black
03 1-10V dimming			3500K CRI>90 DCM<3	
04 Dali dimming			4000K CRI>90 DCM<3	

NEW WALL-WASHER

15W/20W



⚠️ Ø90*H102mm
 📏 Max:15



Suitable for AC220-240V 50/60Hz
 Single:IP20
 Control:On/Off, Triac dimming;
 Lifetime 35000-50000H

15W ELWW-15100-ASY

Lumen:750-1050lm,3000K CRI>90 Efficacy up to:70lm/W

Driver	Version	Optics	LED	Finishes
01 On/Off	350mA MAX:15W	Asymmetrical	2700K CRI>90 DCM<3	White
02 Triac dimming			3000K CRI>90 DCM<3	Black
03 1-10V dimming			3500K CRI>90 DCM<3	
04 Dali dimming			4000K CRI>90 DCM<3	

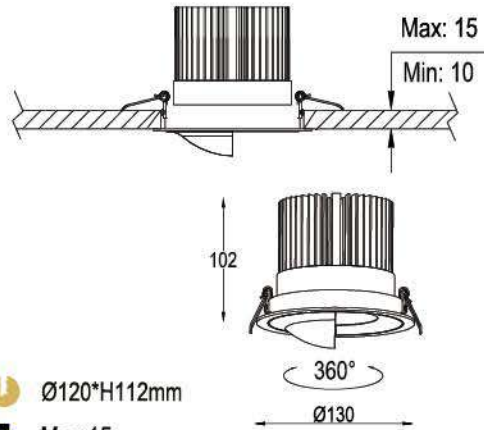
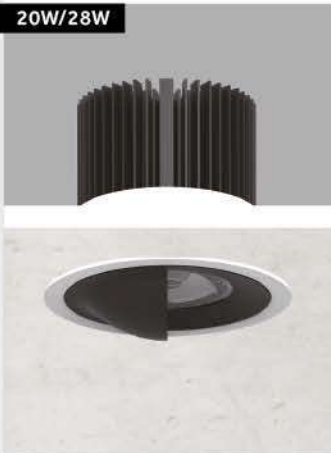
20W ELWW-20100-ASY

Lumen:1000-1400lm,3000K CRI>90 Efficacy up to:70lm/W

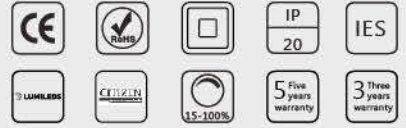
Driver	Version	Optics	LED	Finishes
01 On/Off	500mA MAX:20W	Asymmetrical	2700K CRI>90 DCM<3	White
02 Triac dimming			3000K CRI>90 DCM<3	Black
03 1-10V dimming			3500K CRI>90 DCM<3	
04 Dali dimming			4000K CRI>90 DCM<3	

NEW WALL-WASHER

20W/28W



ⓘ Ø120*H112mm
■ Max:15



Suitable for AC220-240V 50/60Hz
Single:IP20
Control:On/Off, Triac dimming;
Lifetime 35000-50000H

20W ELWW-20130-ASY

Lumen:1200-1600lm,3000K CRI>90 Efficacy up to:80lm/W

Driver	Version	Optics	LED	Finishes
01 On/Off	500mA MAX: 20W	Asymmetrical	2700K CRI>90 DCM<3	White
02 Triac dimming			3000K CRI>90 DCM<3	Black
03 1-10V dimming			3500K CRI>90 DCM<3	
04 Dali dimming			4000K CRI>90 DCM<3	

28W ELWW-18130-ASY

Lumen:1680-2240lm,3000K CRI>90 Efficacy up to:80lm/W

Driver	Version	Optics	LED	Finishes
01 On/Off	700mA MAX: 28W	Asymmetrical	2700K CRI>90 DCM<3	White
02 Triac dimming			3000K CRI>90 DCM<3	Black
03 1-10V dimming			3500K CRI>90 DCM<3	
04 Dali dimming			4000K CRI>90 DCM<3	

Mirror Light



The products of the MIRROR LIGHT series are anti-glare lighting headlights with an ultra-wide angle of the beam that guarantees a $UGR \leq 19$. It is essential to establish a comfortable luminous environment and this line of products makes it possible with a variety of range that includes wattages from 7W-42W, applicable to ceilings 2, 8m-10m.

General lighting

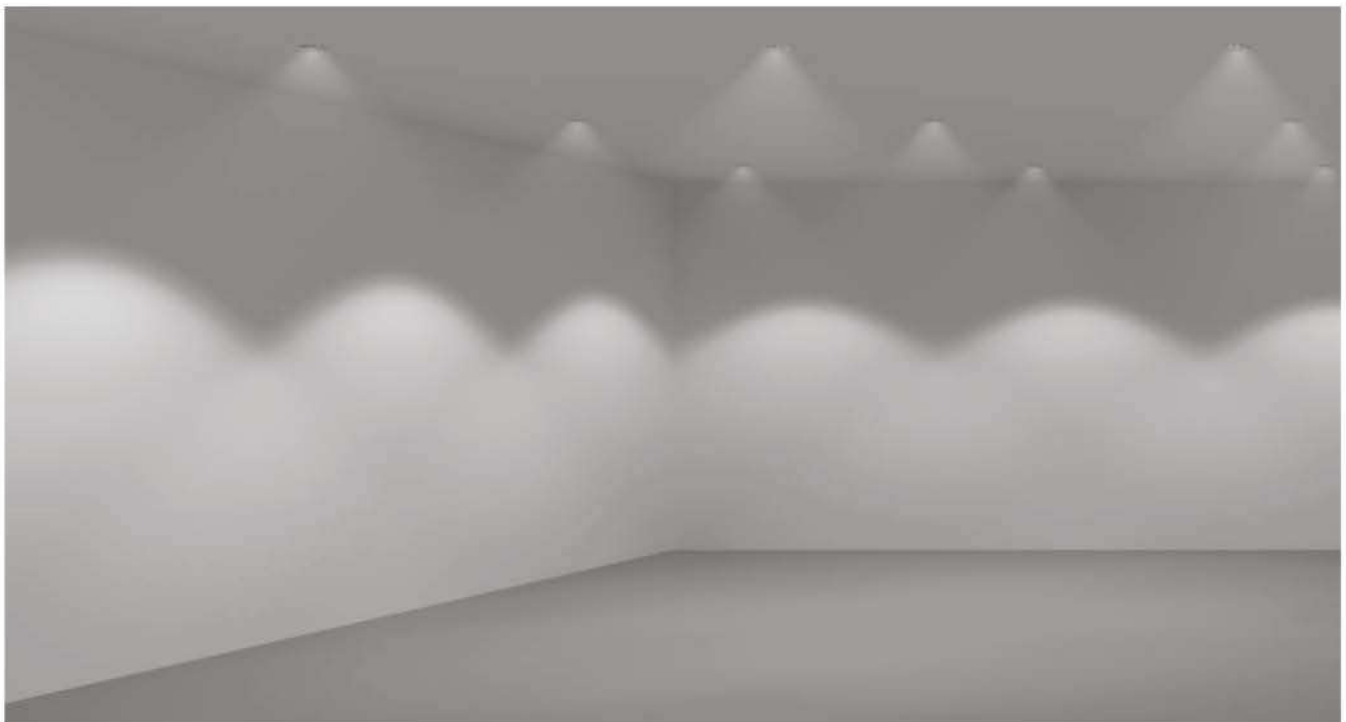
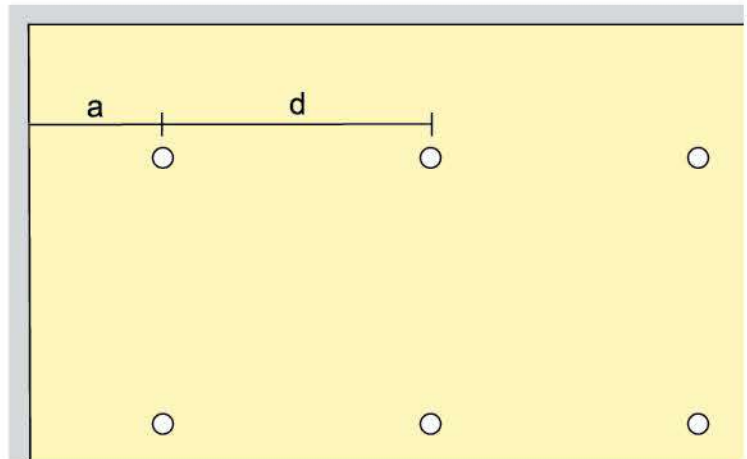
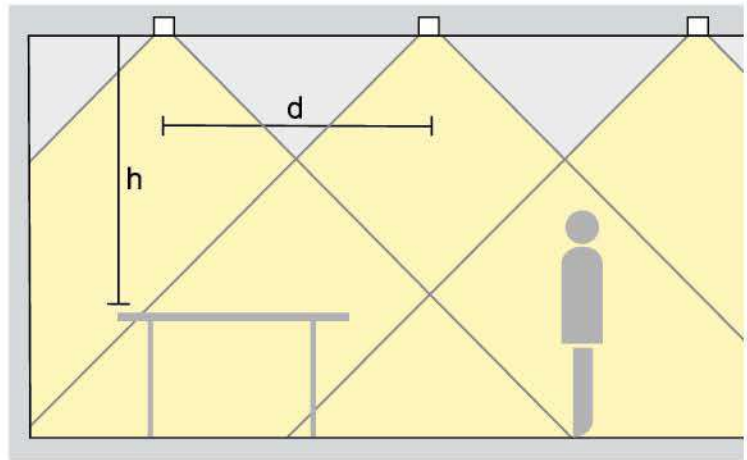
Ambient lighting produced by wide beam light distribution.

For uniform ambient lighting with high visual comfort, the spacing (d) between two downlights may be up to approximately 1.5 times the height (h) of the luminaire above the working plane.

Arrangement: $d \leq 1.5 \times h$

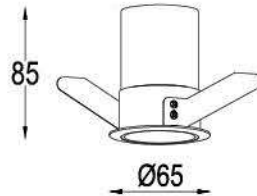
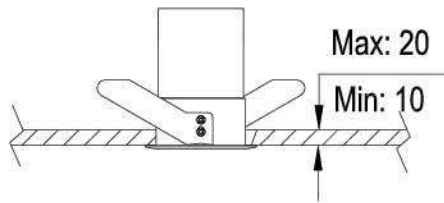
The wall offset should be half the luminaire spacing.



Arrangement: $a = d / 2$

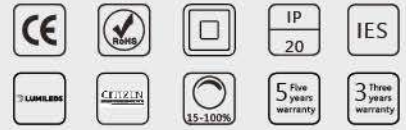


MIRROR LIGHT

7W



-  Ø60*H100mm
-  Max:20mm





Suitable for AC220-240V 50/60Hz
 Single: IP20
 Control: On/Off, Triac, 1-10V
 Lifetime 35000-50000H

Accessories:  Linear spread lens  Spread lens

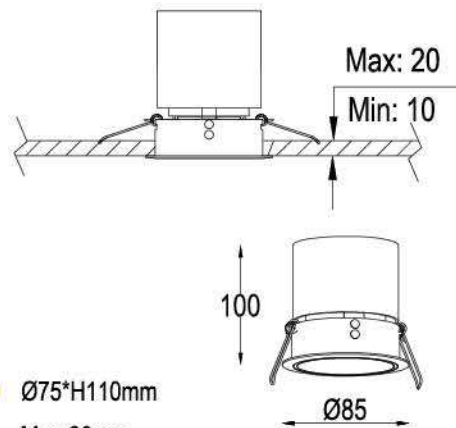
7W ELM-0765

Lumen: 450-670 lm, 3000K CRI>90 Efficacy up to: 90 lm/W

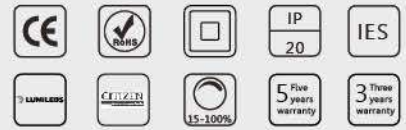
Driver	Version	Optics	LED	Finishes
01 On/Off	180mA MAX: 7W	Wide	2700K CRI>90 DCM<3	 White
02 Triac dimming		Super wide	3000K CRI>90 DCM<3	 Black
03 1-10V dimming			3500K CRI>90 DCM<3	
			4000K CRI>90 DCM<3	

MIRROR LIGHT

10W/15W



⚠️ Ø75*H110mm
 🏠 Max:20mm



Suitable for AC220-240V 50/60Hz
 Single: IP20
 Control: On/Off, Triac, 1-10V
 Lifetime 35000-50000H

Accessories: Linear spread lens Spread lens

10W ELM-1085

Lumen:650-950lm,3000K CRI>90 Efficacy up to:90lm/W

Driver	Version	Optics	LED	Finishes
01 On/Off	250mA MAX:10W	Wide	2700K CRI>90 DCM<3	<input type="checkbox"/> White
02 Triac dimming		Super wide	3000K CRI>90 DCM<3	<input checked="" type="checkbox"/> Black
03 1-10V dimming			3500K CRI>90 DCM<3	
04 Dali dimming			4000K CRI>90 DCM<3	

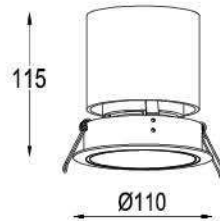
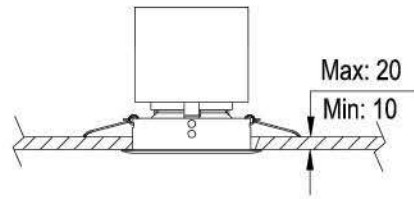
15W ELM-1585

Lumen:750-1500lm,3000K CRI>90 Efficacy up to:95lm/W

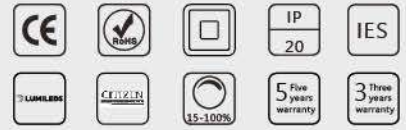
Driver	Version	Optics	LED	Finishes
01 On/Off	350mA MAX:15W	Wide	2700K CRI>90 DCM<3	<input type="checkbox"/> White
02 Triac dimming		Super wide	3000K CRI>90 DCM<3	<input checked="" type="checkbox"/> Black
03 1-10V dimming			3500K CRI>90 DCM<3	
04 Dali dimming			4000K CRI>90 DCM<3	

MIRROR LIGHT

15W/20W



⚡ Ø100*H130mm
 📏 Max:20mm



Suitable for AC220-240V 50/60Hz
 Single: IP20
 Control: On/Off, Triac, 1-10V
 Lifetime 35000-50000H

Accessories:  Linear spread lens  Spread lens

15W ELM-15110

Lumen:750-1500lm,3000K CRI>90 Efficacy up to:95 lm/W

Driver	Version	Optics	LED	Finishes
01 On/Off	350mA MAX: 15W	Wide	2700K CRI>90 DCM<3	White
02 Triac dimming		Super wide	3000K CRI>90 DCM<3	Black
03 1-10V dimming		3500K CRI>90 DCM<3		
04 Dali dimming		4000K CRI>90 DCM<3		

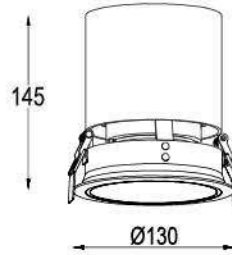
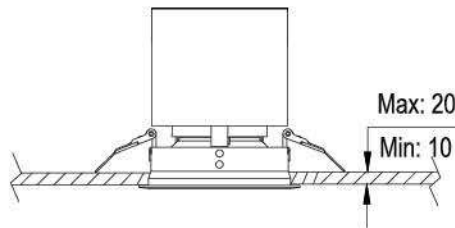
20W ELM-20110

Lumen:1300-2000lm,3000K CRI>90 Efficacy up to:92 lm/W

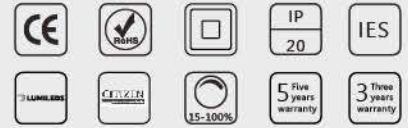
Driver	Version	Optics	LED	Finishes
01 On/Off	500mA MAX: 20W	Wide	2700K CRI>90 DCM<3	White
02 Triac dimming		Super wide	3000K CRI>90 DCM<3	Black
03 1-10V dimming		3500K CRI>90 DCM<3		
04 Dali dimming		4000K CRI>90 DCM<3		

MIRROR LIGHT

20W/28W



⚡ ⚠️ Ø120*H160mm
 ■ Max:20mm



Suitable for AC220-240V 50/60Hz
 Single: IP20
 Control: On/Off, Triac, 1-10V
 Lifetime 35000-50000H

Accessories:  Linear spread lens  Spread lens

20W ELM-20130

Lumen:1300-2000lm,3000K CRI>90 Efficacy up to:92 lm/W

Driver	Version	Optics	LED	Finishes
01 On/Off	500mA MAX: 20W	Wide	2700K CRI>90 DCM<3	White
02 Triac dimming		Super wide	3000K CRI>90 DCM<3	Black
03 1-10V dimming			3500K CRI>90 DCM<3	
04 Dali dimming			4000K CRI>90 DCM<3	

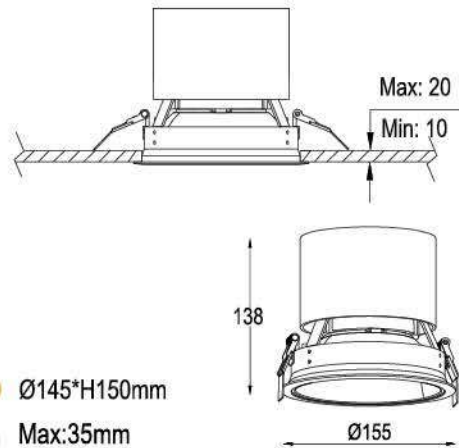
28W ELM-28130

Lumen:1820-2520lm,3000K CRI>90 Efficacy up to:90 lm/W

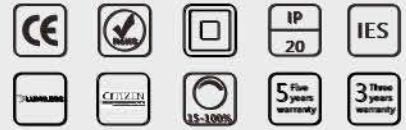
Driver	Version	Optics	LED	Finishes
01 On/Off	700mA MAX: 28W	Wide	2700K CRI>90 DCM<3	White
02 Triac dimming		Super wide	3000K CRI>90 DCM<3	Black
03 1-10V dimming			3500K CRI>90 DCM<3	
04 Dali dimming			4000K CRI>90 DCM<3	

MIRROR LIGHT

28W/32W



Ø145*H150mm
 Max:35mm



Suitable for AC220-240V 50/60Hz
 Single: IP20
 Control: On/Off, Triac, 1-10V
 Lifetime 35000-50000H

Accessories:
 Linear spread lens
 Spread lens

28W ELM-28155

Lumen: 1820-2520lm, 3000K CRI>90 Efficacy up to: 90lm/W

Driver	Version	Optics	LED	Finishes
01 On/Off	700mA MAX: 28W	Wide	2700K CRI>90 DCM<3	<input type="checkbox"/> White
02 Triac dimming		Super wide	3000K CRI>90 DCM<3	<input checked="" type="checkbox"/> Black
03 1-10V dimming			3500K CRI>90 DCM<3	
04 Dali dimming			4000K CRI>90 DCM<3	

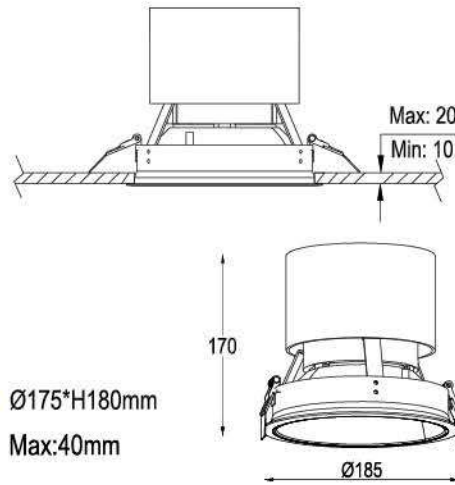
32W ELM-32155

Lumen: 2100-3000lm, 3000K CRI>90 Efficacy up to: 95lm/W

Driver	Version	Optics	LED	Finishes
01 On/Off	800mA MAX: 32W	Wide	2700K CRI>90 DCM<3	<input type="checkbox"/> White
02 Triac dimming		Super wide	3000K CRI>90 DCM<3	<input checked="" type="checkbox"/> Black
03 1-10V dimming			3500K CRI>90 DCM<3	
04 Dali dimming			4000K CRI>90 DCM<3	

MIRROR LIGHT

32W/42W



⚠️ Ø175*H180mm
 📏 Max:40mm



Suitable for AC220-240V 50/60Hz
 Single: IP20
 Control: On/Off, Triac, 1-10V
 Lifetime 35000-50000H

Accessories:  Linear spread lens  Spread lens

32W ELM-32185

Lumen:2100-3000lm,3000K CRI>90 Efficacy up to:95 lm/W

Driver	Version	Optics	LED	Finishes
01 On/Off	800mA MAX: 32W	Wide	2700K CRI>90 DCM<3	White
02 Triac dimming		Super wide	3000K CRI>90 DCM<3	Black
03 1-10V dimming			3500K CRI>90 DCM<3	
04 Dali dimming			4000K CRI>90 DCM<3	

42W ELM-42185

Lumen:2700-3800lm,3000K CRI>90 Efficacy up to:92 lm/W

Driver	Version	Optics	LED	Finishes
01 On/Off	1050mA MAX: 42W	Wide	2700K CRI>90 DCM<3	White
02 1-10V dimming		Super wide	3000K CRI>90 DCM<3	Black
03 Dali dimming			3500K CRI>90 DCM<3	
			4000K CRI>90 DCM<3	

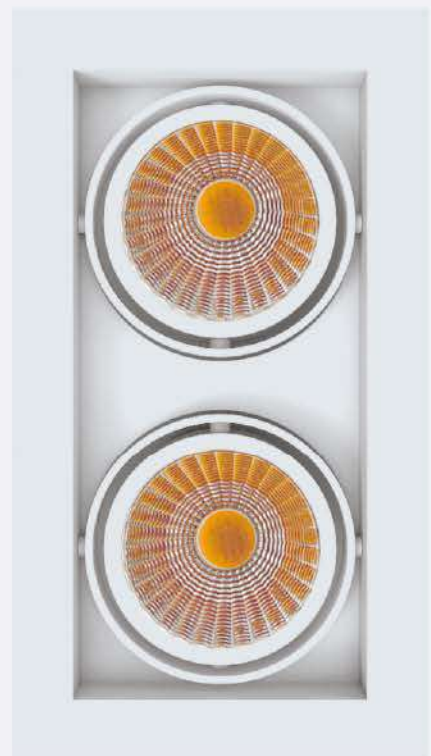
The innovation
of accent
lighting

SQUARE SPOTS



SQUARE SPOTS

Combination of 1 or 2 lamps available for the Square Spot series in small, medium and large sizes, with a variety of optical accessories and light beam angle available to meet the different lighting needs.

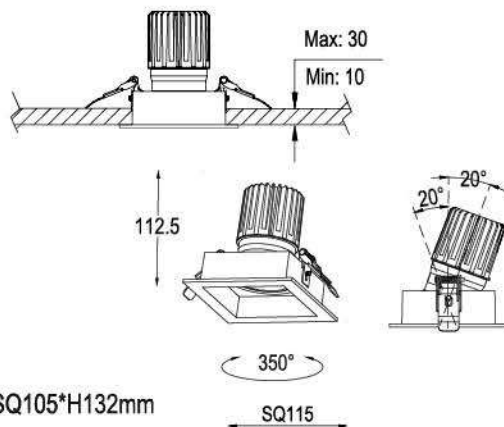






SQUARE SPOTS

7W/10W/15W



SQ105*H132mm

Max:30mm



Suitable for AC220-240V 50/60Hz
Single: IP20
Control: On/Off, Triac 1-10V,
Lifetime 35000-50000H

Accessories: Honeycomb Linear spread lens Spread lens

7W ELSQ-07115

Lumen:450-670lm,3000K CRI>90 Efficacy up to:90lm/W

Driver	Version	Optics	LED	Finishes
01 On/Off	180mA MAX: 7W	Narrow	2700K CRI>90 DCM<3	White
02 Triac dimming		Medium	3000K CRI>90 DCM<3	Black
03 1-10V dimming		Wide	3500K CRI>90 DCM<3 4000K CRI>90 DCM<3	

10W ELSQ-10115

Lumen:650-950lm,3000K CRI>90 Efficacy up to:90lm/W

Driver	Version	Optics	LED	Finishes
01 On/Off	250mA MAX: 10W	Narrow	2700K CRI>90 DCM<3	White
02 Triac dimming		Medium	3000K CRI>90 DCM<3	Black
03 1-10V dimming		Wide	3500K CRI>90 DCM<3	
04 Dali dimming			4000K CRI>90 DCM<3	

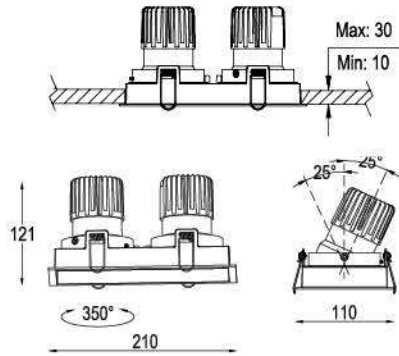
15W ELSQ-15115

Lumen:750-1500lm,3000K CRI>90 Efficacy up to:95lm/W

Driver	Version	Optics	LED	Finishes
01 On/Off	350mA MAX: 15W	Narrow	2700K CRI>90 DCM<3	White
02 Triac dimming		Medium	3000K CRI>90 DCM<3	Black
03 1-10V dimming		Wide	3500K CRI>90 DCM<3	
04 Dali dimming			4000K CRI>90 DCM<3	

SQUARE SPOTS

2*7W/2*10W/2*15W



L203*W103*H140mm



Suitable for AC220-240V 50/60Hz
 Single: IP20
 Control: On/Off, Triac 1-10V
 Lifetime 35000-50000H



Accessories: Honeycomb Linear spread lens Spread lens

7W ELSQ-2x07210

Lumen: 450-670lm, 3000K CRI>90 Efficacy up to: 90lm/W

Driver	Version	Optics	LED	Finishes
01 On/Off	180mA MAX: 7W	Narrow	2700K CRI>90 DCM<3	White
02 Triac dimming		Medium	3000K CRI>90 DCM<3	Black
03 1-10V dimming		Wide	3500K CRI>90 DCM<3	
			4000K CRI>90 DCM<3	

10W ELSQ-2x10210

Lumen: 650-950lm, 3000K CRI>90 Efficacy up to: 90lm/W

Driver	Version	Optics	LED	Finishes
01 On/Off	250mA MAX: 10W	Narrow	2700K CRI>90 DCM<3	White
02 Triac dimming		Medium	3000K CRI>90 DCM<3	Black
03 1-10V dimming		Wide	3500K CRI>90 DCM<3	
04 Dali dimming			4000K CRI>90 DCM<3	

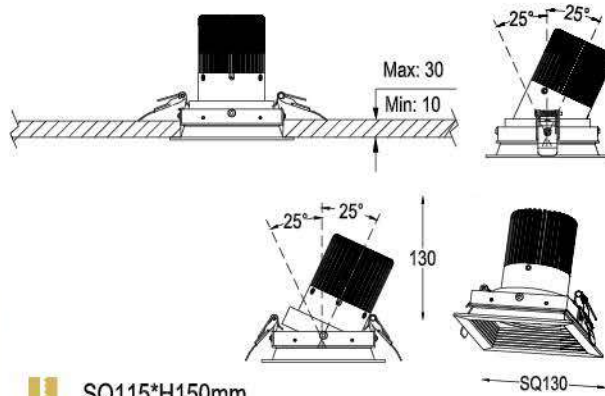
15W ELSQ-2x15210


Lumen: 750-1500lm, 3000K CRI>90 Efficacy up to: 95lm/W

Driver	Version	Optics	LED	Finishes
01 On/Off	350mA MAX: 15W	Narrow	2700K CRI>90 DCM<3	White
02 Triac dimming		Medium	3000K CRI>90 DCM<3	Black
03 1-10V dimming		Wide	3500K CRI>90 DCM<3	
04 Dali dimming			4000K CRI>90 DCM<3	

SQUARE SPOTS

15W/20W



 SQ115*H150mm

 Max:30mm



Suitable for AC220-240V 50/60Hz
Single: IP20
Control: On/Off, Triac 1-10V,
Lifetime 35000-50000H

Accessories:  Honeycomb  Linear spread lens  Spread lens

15W ELSQ-15130

Lumen:750-1500lm,3000K CRI>90 Efficacy up to:95 lm/W

Driver	Version	Optics	LED	Finishes
01 On/Off	350mA MAX:15W	Narrow	2700K CRI>90 DCM<3	<input type="checkbox"/> White
02 Triac dimming		Medium	3000K CRI>90 DCM<3	<input checked="" type="checkbox"/> Black
03 1-10V dimming		Wide	3500K CRI>90 DCM<3	
04 Dali dimming			4000K CRI>90 DCM<3	

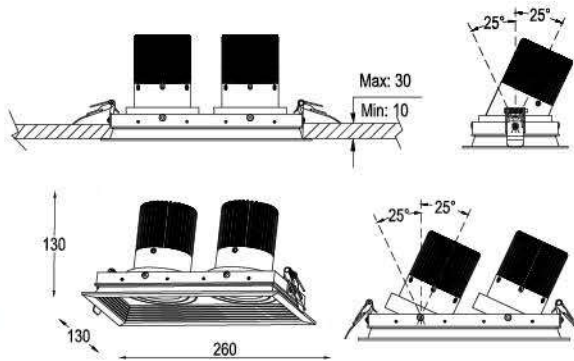
20W ELSQ-20130

Lumen:1300-2000lm,3000K CRI>90 Efficacy up to:92 lm/W

Driver	Version	Optics	LED	Finishes
01 On/Off	500mA MAX:20W	Narrow	2700K CRI>90 DCM<3	<input type="checkbox"/> White
02 Triac dimming		Medium	3000K CRI>90 DCM<3	<input checked="" type="checkbox"/> Black
03 1-10V dimming		Wide	3500K CRI>90 DCM<3	
04 Dali dimming			4000K CRI>90 DCM<3	

SQUARE SPOTS

2*15W/2*20W



L245*W115*H150mm



Suitable for AC220-240V 50/60Hz
 Single: IP20
 Control: On/Off, Triac 1-10V,
 Lifetime 35000-50000H



Accessories: Honeycomb Linear spread lens Spread lens

15W ELSQ-2x15260

Lumen: 750-1500lm, 3000K CRI>90 Efficacy up to: 95 lm/W

Driver	Version	Optics	LED	Finishes
01 On/Off	350mA MAX: 15W	Narrow	2700K CRI>90 DCM<3	White
02 Triac dimming		Medium	3000K CRI>90 DCM<3	Black
03 1-10V dimming		Wide	3500K CRI>90 DCM<3	
04 Dali dimming			4000K CRI>90 DCM<3	

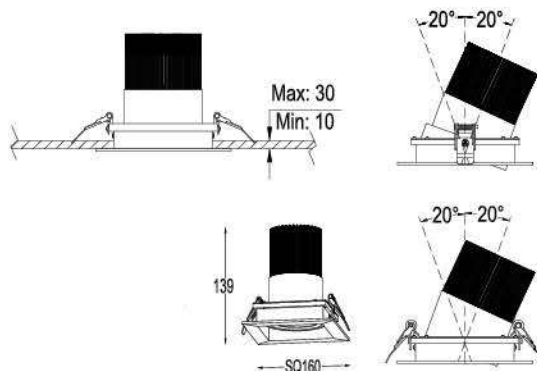
20W ELSQ-2x20260

Lumen: 1300-2000lm, 3000K CRI>90 Efficacy up to: 92 lm/W

Driver	Version	Optics	LED	Finishes
01 On/Off	500mA MAX: 20W	Narrow	2700K CRI>90 DCM<3	White
02 Triac dimming		Medium	3000K CRI>90 DCM<3	Black
03 1-10V dimming		Wide	3500K CRI>90 DCM<3	
04 Dali dimming			4000K CRI>90 DCM<3	

SQUARE SPOTS

28W/32W



SQ150*H159mm

Max:30mm



Suitable for AC220-240V 50/60Hz
 Single: IP20
 Control: On/Off, Triac 1-10V,
 Lifetime 35000-50000H

Accessories: Honeycomb Linear spread lens Spread lens

28W ELSQ-28160

Lumen:1820-2520lm,3000K CRI>90 Efficacy up to:90 lm/W

Driver	Version	Optics	LED	Finishes
01 On/Off	700mA MAX:28W	Narrow	2700K CRI>90 DCM<3	White
02 Triac dimming		Medium	3000K CRI>90 DCM<3	Black
03 1-10V dimming		Wide	3500K CRI>90 DCM<3	
04 Dali dimming			4000K CRI>90 DCM<3	

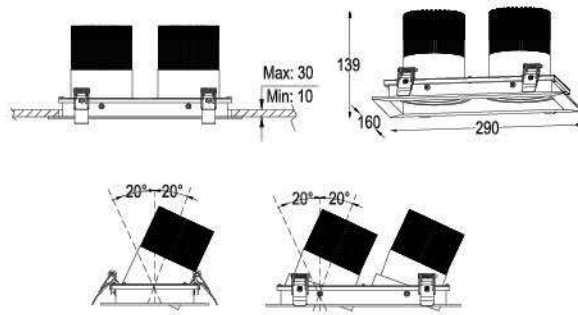
32W ELSQ-32160

Lumen:2100-3000lm,3000K CRI>90 Efficacy up to:95 lm/W

Driver	Version	Optics	LED	Finishes
01 On/Off	800mA MAX:32W	Narrow	2700K CRI>90 DCM<3	White
02 Triac dimming		Medium	3000K CRI>90 DCM<3	Black
03 1-10V dimming		Wide	3500K CRI>90 DCM<3	
04 Dali dimming			4000K CRI>90 DCM<3	

SQUARE SPOTS

2*28W/2*32W



L270*W150*H159mm



Suitable for AC220-240V 50/60Hz
 Single: IP20
 Control: On/Off, Triac 1-10V,
 Lifetime 35000-50000H



Accessories: Honeycomb Linear spread lens Spread lens

28W ELSQ-2x28290

Lumen:1820-2520lm,3000K CRI>90 Efficacy up to:90lm/W

Driver	Version	Optics	LED	Finishes
01 On/Off	700mA MAX: 28W	Narrow	2700K CRI>90 DCM<3	White
02 Triac dimming		Medium	3000K CRI>90 DCM<3	Black
03 1-10V dimming		Wide	3500K CRI>90 DCM<3	
04 Dali dimming			4000K CRI>90 DCM<3	

32W ELSQ-2x32290

Lumen:2100-3000lm,3000K CRI>90 Efficacy up to:95lm/W

Driver	Version	Optics	LED	Finishes
01 On/Off	800mA MAX: 32W	Narrow	2700K CRI>90 DCM<3	White
02 Triac dimming		Medium	3000K CRI>90 DCM<3	Black
03 1-10V dimming		Wide	3500K CRI>90 DCM<3	
04 Dali dimming			4000K CRI>90 DCM<3	

The innovation
of accent
lighting

**FOCUS &
MINI FOCUS**



Mini Focus

The MINI FOCUS Series products adopt the best heat conduction technique, equipped with high temperature resistant optical components. Small product with high power and excellent illumination. The simple design and the small dimensions are studied to be integrated perfectly with the surrounding environment, suitable for a more flexible and directable lighting solution.



Finish:



White



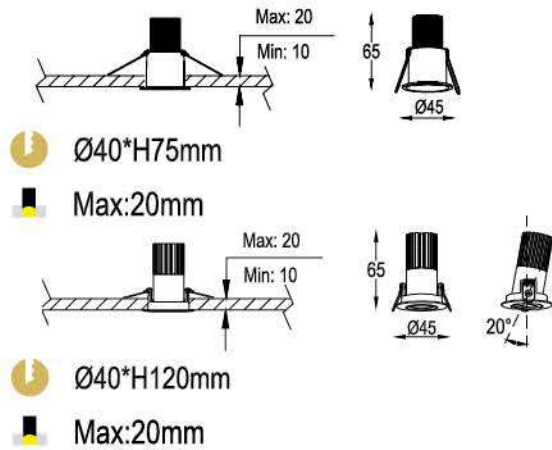
Black



FOCUS & MINI FOCUS



3W



Suitable for AC220-240V 50/60Hz
 Single: IP20
 Control: On/Off, Triac 1-10V,
 Lifetime 35000-50000H

3W ELFM-0345

Lumen:150-250lm,3000K CRI>90 Efficacy up to:83 lm/W

Driver	Version	Optics	LED	Finishes
01 On/Off	500mA MAX:3W	Narrow	2700K CRI>90 DCM<3	White
		Wide	3000K CRI>90 DCM<3	Black
			4000K CRI>90 DCM<3	

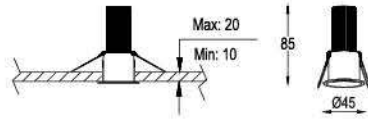
3W ELFM-0345-TILT

Lumen:150-250lm,3000K CRI>90 Efficacy up to:83 lm/W

Driver	Version	Optics	LED	Finishes
01 On/Off	500mA MAX:3W	Narrow	2700K CRI>90 DCM<3	White
		Wide	3000K CRI>90 DCM<3	Black
			4000K CRI>90 DCM<3	

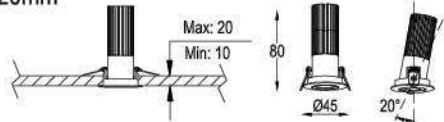
FOCUS & MINI FOCUS

7W



⚡ Ø40*H95mm

📏 Max:20mm



⚡ Ø40*H95mm

📏 Max:20mm



Suitable for AC220-240V 50/60Hz
 Single: IP20
 Control: On/Off, Triac 1-10V,
 Lifetime 35000-50000H

7W ELFM-0745

Lumen:450-580lm,3000K CRI>90 Efficacy up to:83 lm/W

Driver	Version	Optics	LED	Finishes
01 On/Off	500mA MAX: 7W	Narrow	2700K CRI>90 DCM<3	White
		Wide	3000K CRI>90 DCM<3	Black
			4000K CRI>90 DCM<3	

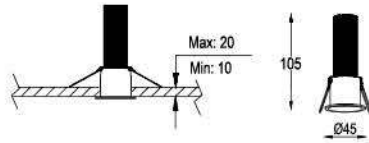
7W ELFM-0745-TILT

Lumen:450-580lm,3000K CRI>90 Efficacy up to:83 lm/W

Driver	Version	Optics	LED	Finishes
01 On/Off	500mA MAX: 7W	Narrow	2700K CRI>90 DCM<3	White
		Wide	3000K CRI>90 DCM<3	Black
			4000K CRI>90 DCM<3	

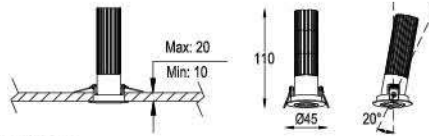
FOCUS & MINI FOCUS

10W



⚡ $\text{\O}40 \times \text{H}115\text{mm}$

📏 Max:20mm



⚡ $\text{\O}40 \times \text{H}120\text{mm}$

📏 Max:20mm



Suitable for AC220-240V 50/60Hz
 Single: IP20
 Control: On/Off, Triac 1-10V,
 Lifetime 35000-50000H

10W ELFM-1045

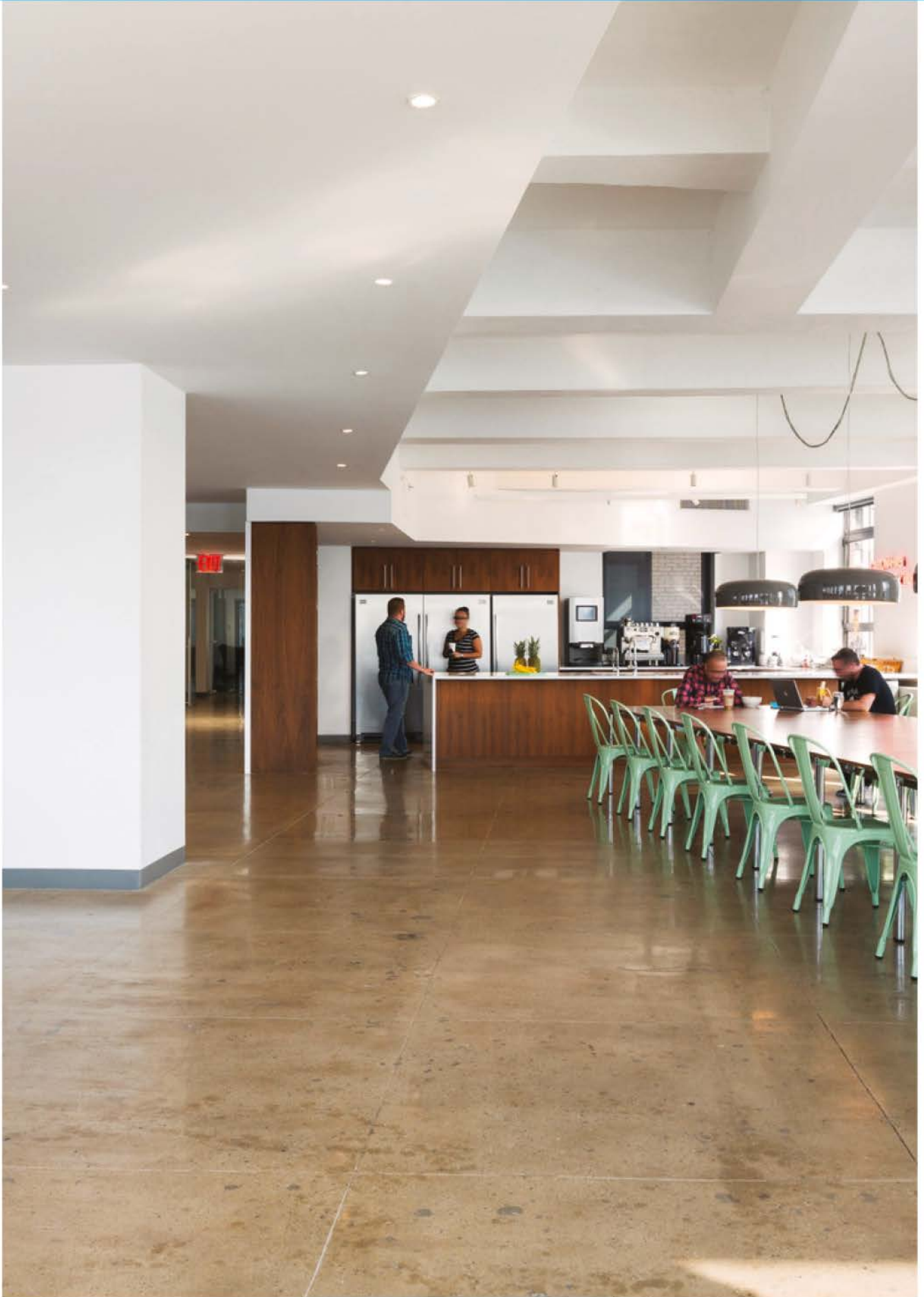
Lumen:550-800 lm,3000K CRI>90 Efficacy up to:80 lm/W

Driver	Version	Optics	LED	Finishes
01 On/Off	700mA MAX:10W	Narrow	2700K CRI>90 DCM<3	White
		Wide	3000K CRI>90 DCM<3	Black
			4000K CRI>90 DCM<3	

10W ELFM-1045-TILT

Lumen:550-800 lm,3000K CRI>90 Efficacy up to:80 lm/W

Driver	Version	Optics	LED	Finishes
01 On/Off	700mA MAX:10W	Narrow	2700K CRI>90 DCM<3	White
		Wide	3000K CRI>90 DCM<3	Black
			4000K CRI>90 DCM<3	



Focus



The FOCUS series defines an accent lighting with recessed and directable assembly, with power ratings from 7W to 100W, a variety of optical accessories and a light beam angle available to satisfy the different accent lighting needs.

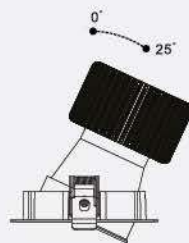
Dimension:



Adjustability:



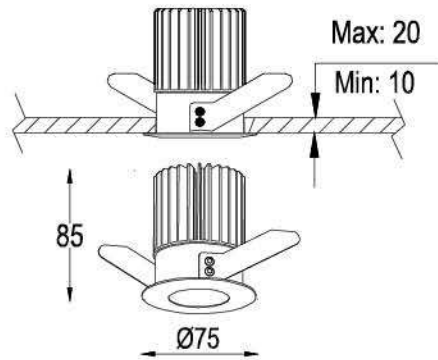
ø100,ø120,ø165 versions
Horizontal axis





ø85,ø100,ø105,ø120,ø165 versions
Vertical axis

FOCUS & MINI FOCUS

7W/10W/15W



 **Ø75*H95mm**
 **Max:15**



Suitable for AC220-240V 50/60Hz
 Single:IP20
 Control: On/Off, Triac 1-10V,
 Lifetime 35000-50000H

Accessories:  Linear spread lens  Spread lens

7W ELFO-0775

Lumen:450-670lm,3000K CRI>90 Efficacy up to:90 lm/W

Driver	Version	Optics	LED	Finishes
01 On/Off	180mA MAX: 7W	Narrow	2700K CRI>90 DCM<3	<input type="checkbox"/> White
02 Triac dimming		Medium	3000K CRI>90 DCM<3	<input checked="" type="checkbox"/> Black
03 1-10V dimming		Wide	3500K CRI>90 DCM<3	
		Super wide	4000K CRI>90 DCM<3	

10W ELFO-1075

Lumen:650-950lm,3000K CRI>90 Efficacy up to:90 lm/W

Driver	Version	Optics	LED	Finishes
01 On/Off	250mA MAX: 10W	Narrow	2700K CRI>90 DCM<3	<input type="checkbox"/> White
02 Triac dimming		Medium	3000K CRI>90 DCM<3	<input checked="" type="checkbox"/> Black
03 1-10V dimming		Wide	3500K CRI>90 DCM<3	
04 Dall dimming		Super wide	4000K CRI>90 DCM<3	

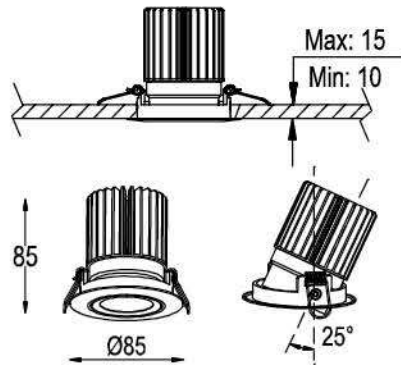
15W ELFO-1575

Lumen:750-1500lm,3000K CRI>90 Efficacy up to:90 lm/W

Driver	Version	Optics	LED	Finishes
01 On/Off	350mA MAX: 15W	Narrow	2700K CRI>90 DCM<3	<input type="checkbox"/> White
02 Triac dimming		Medium	3000K CRI>90 DCM<3	<input checked="" type="checkbox"/> Black
03 1-10V dimming		Wide	3500K CRI>90 DCM<3	
04 Dall dimming		Super wide	4000K CRI>90 DCM<3	

FOCUS & MINI FOCUS

7W/10W/15W



ⓘ Ø75*H95mm

⚡ Max:15



Suitable for AC220-240V 50/60Hz
 Single:IP20
 Control: On/Off, Triac 1-10V,
 Lifetime 35000-50000H

Accessories: Linear spread lens Spread lens

7W ELFO-0775-TILT

Lumen:450-670lm,3000K CRI>90 Efficacy up to:90 lm/W

Driver	Version	Optics	LED	Finishes
01 On/Off	180mA MAX:7W	Narrow	2700K CRI>90 DCM<3	<input type="checkbox"/> White
02 Triac dimming		Medium	3000K CRI>90 DCM<3	<input checked="" type="checkbox"/> Black
03 1-10Vdimming		Wide	3500K CRI>90 DCM<3	
		Super wide	4000K CRI>90 DCM<3	

10W ELFO-1075-TILT

Lumen:650-950lm,3000K CRI>90 Efficacy up to:90 lm/W

Driver	Version	Optics	LED	Finishes
01 On/Off	250mA MAX:10W	Narrow	2700K CRI>90 DCM<3	<input type="checkbox"/> White
02 Triac dimming		Medium	3000K CRI>90 DCM<3	<input checked="" type="checkbox"/> Black
03 1-10Vdimming		Wide	3500K CRI>90 DCM<3	
04 Dali dimming		Super wide	4000K CRI>90 DCM<3	

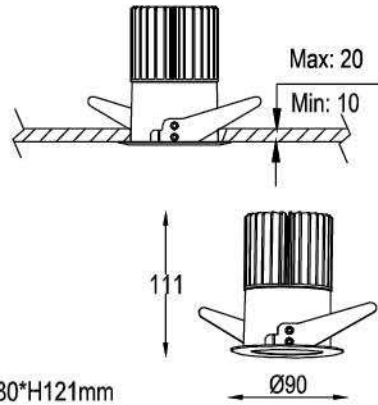
15W ELFO-1575-TILT



Lumen:750-1500lm,3000K CRI>90 Efficacy up to:90 lm/W

Driver	Version	Optics	LED	Finishes
01 On/Off	350mA MAX:15W	Narrow	2700K CRI>90 DCM<3	<input type="checkbox"/> White
02 Triac dimming		Medium	3000K CRI>90 DCM<3	<input checked="" type="checkbox"/> Black
03 1-10Vdimming		Wide	3500K CRI>90 DCM<3	
04 Dali dimming		Super wide	4000K CRI>90 DCM<3	

FOCUS & MINI FOCUS

15W/20W



 Ø80*H121mm
 Max:20mm



Suitable for AC220-240V 50/60Hz
 Single: IP20
 Control: On/Off, Triac 1-10V,
 Lifetime 35000-50000H

Accessories:
 Linear spread lens
  Spread lens

15W ELFO-1590

Lumen: 750-1500 lm, 3000K CRI>90 Efficacy up to: 95 lm/W

Driver	Version	Optics	LED	Finishes
01 On/Off	350mA MAX: 15W	Narrow	2700K CRI>90 DCM<3	White
02 Triac dimming		Medium	3000K CRI>90 DCM<3	Black
03 1-10V dimming		Wide	3500K CRI>90 DCM<3	
04 Dali dimming		Super wide	4000K CRI>90 DCM<3	

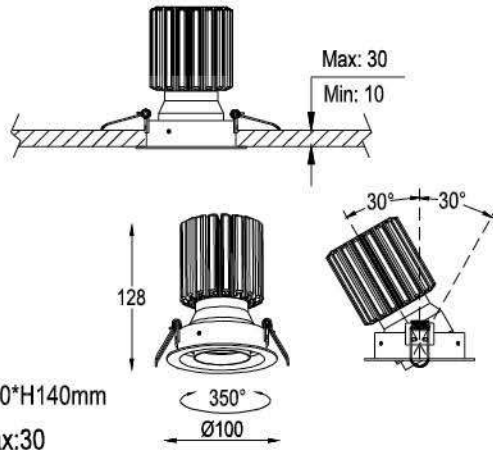
20W ELFO-2090

Lumen: 1300-2000 lm, 3000K CRI>90 Efficacy up to: 92 lm/W

Driver	Version	Optics	LED	Finishes
01 On/Off	500mA MAX: 20W	Narrow	2700K CRI>90 DCM<3	White
02 Triac dimming		Medium	3000K CRI>90 DCM<3	Black
03 1-10V dimming		Wide	3500K CRI>90 DCM<3	
04 Dali dimming		Super wide	4000K CRI>90 DCM<3	

FOCUS & MINI FOCUS

20W/28W



⚡ Ø90*H140mm
🏠 Max:30



Suitable for AC220-240V 50/60Hz
Single: IP20
Control: On/Off, Triac 1-10V,
Lifetime 35000-50000H

Accessories:  Linear spread lens  Spread lens

20W ELFO-20100-TILT

Lumen: 1300-2000 lm, 3000K CRI>90 Efficacy up to: 92 lm/W

Driver	Version	Optics	LED	Finishes
01 On/Off	500mA MAX: 20W	Narrow	2700K CRI>90 DCM<3	<input type="checkbox"/> White
02 Triac dimming		Medium	3000K CRI>90 DCM<3	<input checked="" type="checkbox"/> Black
03 1-10V dimming		Wide	3500K CRI>90 DCM<3	
04 Dali dimming		Super wide	4000K CRI>90 DCM<3	

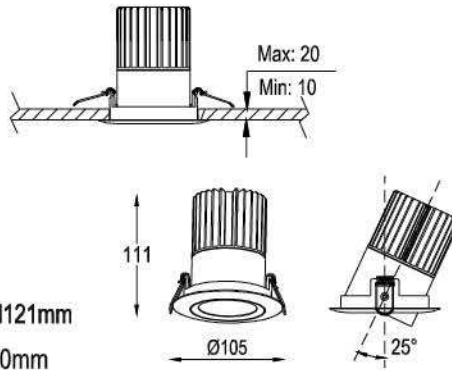
28W ELFO-28100-TILT

Lumen: 1820-2520 lm, 3000K CRI>90 Efficacy up to: 90 lm/W

Driver	Version	Optics	LED	Finishes
01 On/Off	700mA MAX: 28W	Narrow	2700K CRI>90 DCM<3	<input type="checkbox"/> White
02 Triac dimming		Medium	3000K CRI>90 DCM<3	<input checked="" type="checkbox"/> Black
03 1-10V dimming		Wide	3500K CRI>90 DCM<3	
04 Dali dimming		Super wide	4000K CRI>90 DCM<3	

FOCUS & MINI FOCUS

15W/20W



⚡ $\varnothing 90 \times H121 \text{mm}$
 🏠 Max: 20mm



Suitable for AC220-240V 50/60Hz
 Single: IP20
 Control: On/Off, Triac 1-10V,
 Lifetime 35000-50000H

Accessories:  Linear spread lens  Spread lens

15W ELFO-15105-TILT

Lumen: 750-1500lm, 3000K CRI>90 Efficacy up to: 95 lm/W

Driver	Version	Optics	LED	Finishes
01 On/Off	350mA MAX: 15W	Narrow	2700K CRI>90 DCM<3	<input type="checkbox"/> White
02 Triac dimming		Medium	3000K CRI>90 DCM<3	<input checked="" type="checkbox"/> Black
03 1-10V dimming		Wide	3500K CRI>90 DCM<3	
04 Dali dimming		Super wide	4000K CRI>90 DCM<3	

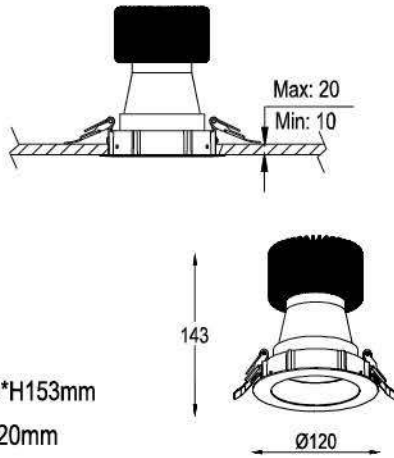
20W ELFO-20105-TILT

Lumen: 1300-2000lm, 3000K CRI>90 Efficacy up to: 92 lm/W

Driver	Version	Optics	LED	Finishes
01 On/Off	500mA MAX: 20W	Narrow	2700K CRI>90 DCM<3	<input type="checkbox"/> White
02 Triac dimming		Medium	3000K CRI>90 DCM<3	<input checked="" type="checkbox"/> Black
03 1-10V dimming		Wide	3500K CRI>90 DCM<3	
04 Dali dimming		Super wide	4000K CRI>90 DCM<3	

FOCUS & MINI FOCUS

20W/28W



⚡ Ø110*H153mm
 📏 Max:20mm



Suitable for AC220-240V 50/60Hz
 Single:IP20
 Control: On/Off, Triac 1-10V,
 Lifetime 35000-50000H

Accessories:  Linear spread lens  Spread lens

20W ELFO-20120

Lumen:1300-2000lm,3000K CRI>90 Efficacy up to:92 lm/W

Driver	Version	Optics	LED	Finishes
01 On/Off	500mA MAX:20W	Narrow	2700K CRI>90 DCM<3	<input type="checkbox"/> White
02 Triac dimming		Medium	3000K CRI>90 DCM<3	<input checked="" type="checkbox"/> Black
03 1-10V dimming		Wide	3500K CRI>90 DCM<3	
04 Dali dimming		Super wide	4000K CRI>90 DCM<3	

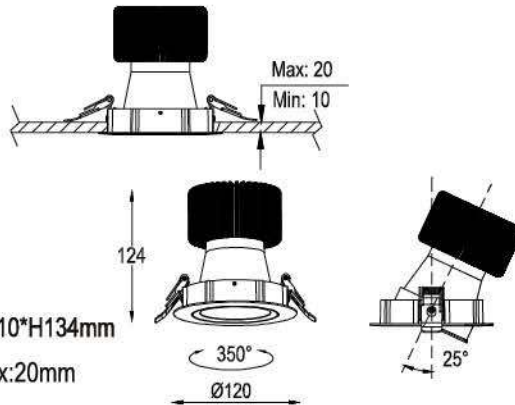
28W ELFO-28120

Lumen:1820-2520lm,3000K CRI>90 Efficacy up to:90 lm/W

Driver	Version	Optics	LED	Finishes
01 On/Off	700mA MAX:28W	Narrow	2700K CRI>90 DCM<3	<input type="checkbox"/> White
02 Triac dimming		Medium	3000K CRI>90 DCM<3	<input checked="" type="checkbox"/> Black
03 1-10V dimming		Wide	3500K CRI>90 DCM<3	
04 Dali dimming		Super wide	4000K CRI>90 DCM<3	

FOCUS & MINI FOCUS

15W/20W



$\varnothing 110 \times H134 \text{mm}$
 Max: 20mm



Suitable for AC220-240V 50/60Hz
 Single: IP20
 Control: On/Off, Triac 1-10V,
 Lifetime 35000-50000H

Accessories: Linear spread lens Spread lens

20W ELFO-20120-TILT

Lumen: 1300-2000 lm, 3000K CRI>90 Efficacy up to: 92 lm/W

Driver	Version	Optics	LED	Finishes
01 On/Off	500mA MAX: 20W	Narrow	2700K CRI>90 DCM<3	<input type="checkbox"/> White
02 Triac dimming		Medium	3000K CRI>90 DCM<3	<input checked="" type="checkbox"/> Black
03 1-10V dimming		Wide	3500K CRI>90 DCM<3	
04 Dali dimming		Super wide	4000K CRI>90 DCM<3	

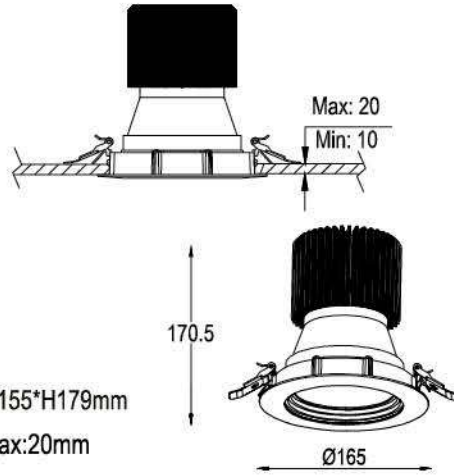
28W ELFO-28120-TILT



Lumen: 1820-2520 lm, 3000K CRI>90 Efficacy up to: 92 lm/W

Driver	Version	Optics	LED	Finishes
01 On/Off	700mA MAX: 28W	Narrow	2700K CRI>90 DCM<3	<input type="checkbox"/> White
02 Triac dimming		Medium	3000K CRI>90 DCM<3	<input checked="" type="checkbox"/> Black
03 1-10V dimming		Wide	3500K CRI>90 DCM<3	
04 Dali dimming		Super wide	4000K CRI>90 DCM<3	

FOCUS & MINI FOCUS

32W/42W



 Ø155*H179mm
 Max:20mm



Suitable for AC220-240V 50/60Hz
 Single: IP20
 Control: On/Off, Triac 1-10V,
 Lifetime 35000-50000H

Accessories:
 Linear spread lens
  Spread lens

32W ELFO-32165

Lumen: 2100-3000lm, 3000K CRI>90 Efficacy up to: 92lm/W

Driver	Version	Optics	LED	Finishes
01 On/Off	800mA MAX: 32W	Narrow	2700K CRI>90 DCM<3	<input type="checkbox"/> White
02 Triac dimming		Medium	3000K CRI>90 DCM<3	<input checked="" type="checkbox"/> Black
03 1-10V dimming		Wide	3500K CRI>90 DCM<3	
04 Dali dimming		Super wide	4000K CRI>90 DCM<3	

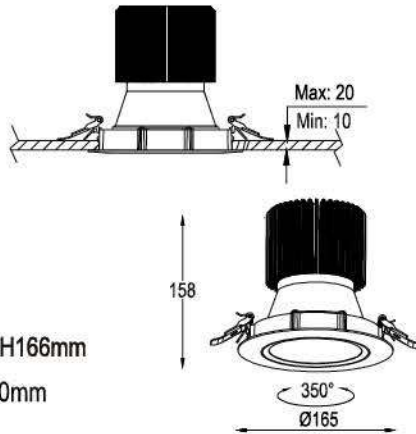
42W ELFO-42165

Lumen: 2730-3780lm, 3000K CRI>90 Efficacy up to: 90lm/W

Driver	Version	Optics	LED	Finishes
01 On/Off	1050mA MAX: 42W	Narrow	2700K CRI>90 DCM<3	<input type="checkbox"/> White
02 1-10V dimming		Medium	3000K CRI>90 DCM<3	<input checked="" type="checkbox"/> Black
03 Dali dimming		Wide	3500K CRI>90 DCM<3	
		Super wide	4000K CRI>90 DCM<3	

FOCUS & MINI FOCUS

32W/42W



$\varnothing 155 \times H166 \text{mm}$
 Max: 20mm



Suitable for AC220-240V 50/60Hz
 Single: IP20
 Control: On/Off, Triac 1-10V,
 Lifetime 35000-50000H

Accessories: Linear spread lens Spread lens

32W ELFO-32165-TILT

Lumen: 2100-3000 lm, 3000K CRI>90 Efficacy up to: 92 lm/W

Driver	Version	Optics	LED	Finishes
01 On/Off	800mA MAX: 32W	Narrow	2700K CRI>90 DCM<3	<input type="checkbox"/> White
02 Triac dimming		Medium	3000K CRI>90 DCM<3	<input checked="" type="checkbox"/> Black
03 1-10V dimming		Wide	3500K CRI>90 DCM<3	
04 Dali dimming		Super wide	4000K CRI>90 DCM<3	

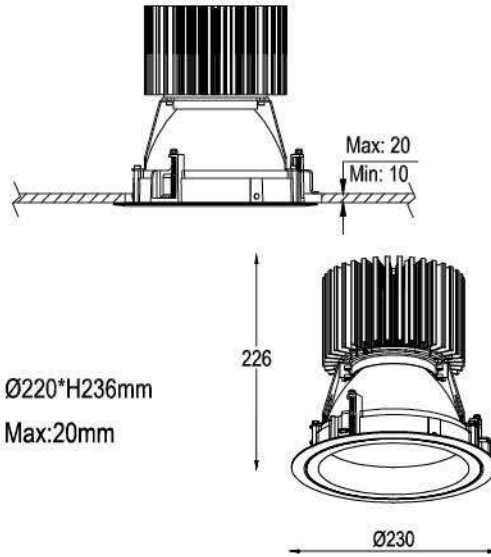
42W ELFO-42165-TILT



Lumen: 2730-3780 lm, 3000K CRI>90 Efficacy up to: 90 lm/W

Driver	Version	Optics	LED	Finishes
01 On/Off	1050mA MAX: 42W	Narrow	2700K CRI>90 DCM<3	<input type="checkbox"/> White
02 1-10V dimming		Medium	3000K CRI>90 DCM<3	<input checked="" type="checkbox"/> Black
03 Dali dimming		Wide	3500K CRI>90 DCM<3	
		Super wide	4000K CRI>90 DCM<3	

FOCUS & MINI FOCUS

90W/100W



 Ø220*H236mm
 Max:20mm



Suitable for AC220-240V 50/60Hz
 Single: IP20
 Control: On/Off, Triac 1-10V,
 Lifetime 35000-50000H

Accessories:
 Linear spread lens
  Spread lens

90W ELFO-90230

Lumen: 5850-8280 lm, 3000K CRI>90 Efficacy up to: 92 lm/W

Driver	Version	Optics	LED	Finishes
01 On/Off	2300mA MAX: 90W	Narrow	2700K CRI>90 DCM<3	White
02 1-10V dimming		Medium	3000K CRI>90 DCM<3	Black
03 Dali dimming			3500K CRI>90 DCM<3	
			4000K CRI>90 DCM<3	

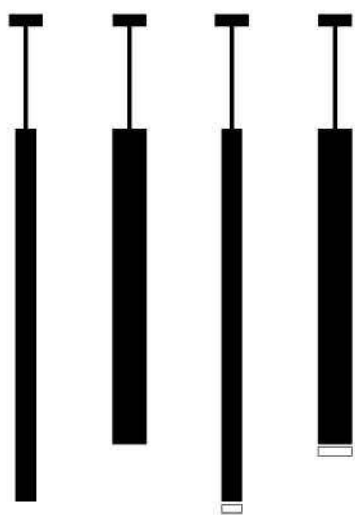
100W ELFO-100230

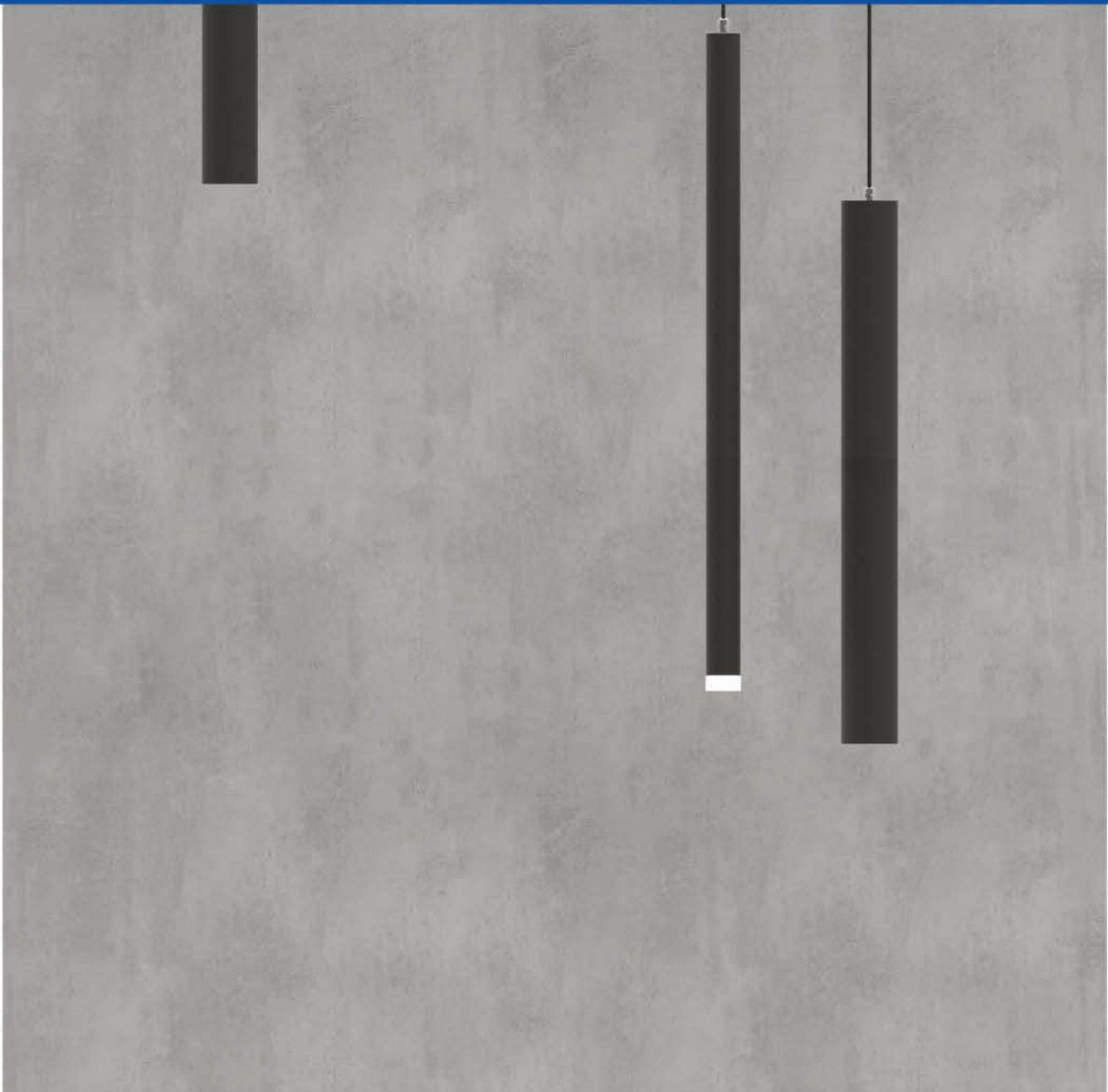
Lumen: 6500-9000 lm, 3000K CRI>90 Efficacy up to: 90 lm/W

Driver	Version	Optics	LED	Finishes
01 On/Off	2500mA MAX: 100W	Narrow	2700K CRI>90 DCM<3	White
02 1-10V dimming		Medium	3000K CRI>90 DCM<3	Black
03 Dali dimming			3500K CRI>90 DCM<3	
			4000K CRI>90 DCM<3	

The multifunctional
decorative
lighting

DECO PENDANT





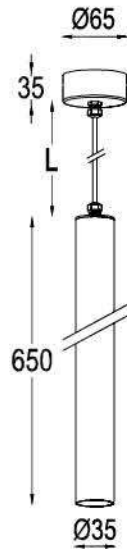
The DECO series is a new type of multifunctional decorative lights. Available with a wide range of power from 3W to 15W. The simple Design is timeless.





DECO PENDANT

5W/7W



Suitable for AC220-240V 50/60Hz
 Single: IP20
 Control: On/Off, Triac dimming;
 Lifetime 35000-50000H

Accessories: Linear spread lens Spread lens Opal cylinder

5W ELDP-0535

Lumen: 300-420 lm, 3000K CRI>90 Efficacy up to: 75 lm/W

Driver	Version	Optics	LED	Finishes
01 On/Off	350mA MAX: 5W	Narrow	2700K CRI>90 DCM<3	White
02 Triac dimming		Wide	3000K CRI>90 DCM<3	Black
			4000K CRI>90 DCM<3	

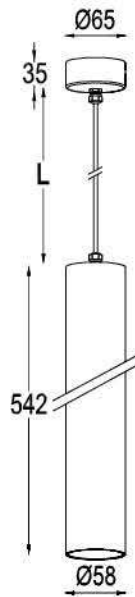
7W ELDP-0735

Lumen: 400-560 lm, 3000K CRI>90 Efficacy up to: 72 lm/W

Driver	Version	Optics	LED	Finishes
01 On/Off	180mA MAX: 7W	Narrow	2700K CRI>90 DCM<3	White
02 Triac dimming		Wide	3000K CRI>90 DCM<3	Black
			4000K CRI>90 DCM<3	

DECO PENDANT

7W/10W/15W



Suitable for AC220-240V 50/60Hz
 Single: IP20
 Control: On/Off, Triac, 1-10V,
 Lifetime 35000-50000H

Accessories:  Linear spread lens  Spread lens  Opal cylinder

7W ELDP-0758

Lumen:400-560 lm,3000K CRI>90 Efficacy up to:72 lm/W

Driver	Version	Optics	LED	Finishes
01 On/Off	180mA MAX: 7W	Narrow	2700K CRI>90 DCM<3	White
02 Triac dimming		Medium	3000K CRI>90 DCM<3	Black
03 1-10V dimming		Wide	4000K CRI>90 DCM<3	
		Super wide		

10W ELDP-1058

Lumen:600-800 lm,3000K CRI>90 Efficacy up to:72 lm/W

Driver	Version	Optics	LED	Finishes
01 On/Off	250mA MAX: 10W	Narrow	2700K CRI>90 DCM<3	White
02 Triac dimming		Medium	3000K CRI>90 DCM<3	Black
03 1-10V dimming		Wide	4000K CRI>90 DCM<3	
04 DalI dimming		Super wide		

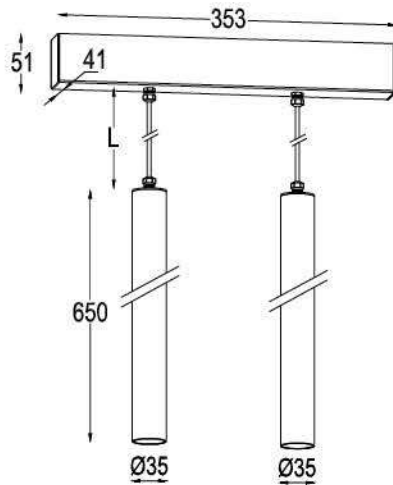
15W ELDP-1558

Lumen:900-1200 lm,3000K CRI>90 Efficacy up to:72 lm/W

Driver	Version	Optics	LED	Finishes
01 On/Off	350mA MAX: 15W	Narrow	2700K CRI>90 DCM<3	White
02 Triac dimming		Medium	3000K CRI>90 DCM<3	Black
03 1-10V dimming		Wide	4000K CRI>90 DCM<3	
04 DalI dimming		Super wide		

DECO PENDANT

2x5W/2x7W



Suitable for AC220-240V 50/60Hz
 Single: IP20
 Control: On/Off, Triac, 1-10V,
 Lifetime 35000-50000H

Accessories:  Linear spread lens  Spread lens  Opal cylinder

2x5W ELDP-2X0535

Lumen:600-840 lm,3000K CRI>90 Efficacy up to:75 lm/W

Driver	Version	Optics	LED	Finishes
01 On/Off	350mA MAX: 2x5W	Narrow	2700K CRI>90 DCM<3	White
02 Triac dimming		Wide	3000K CRI>90 DCM<3	Black
03 1-10V dimming			4000K CRI>90 DCM<3	
04 Dali dimming				

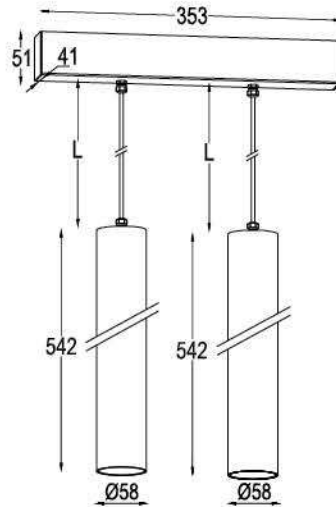
2x7W ELDP-2X0735

Lumen:800-1120 lm,3000K CRI>90 Efficacy up to:72 lm/W

Driver	Version	Optics	LED	Finishes
01 On/Off	180mA MAX: 2x7W	Narrow	2700K CRI>90 DCM<3	White
02 Triac dimming		Wide	3000K CRI>90 DCM<3	Black
03 1-10V dimming			4000K CRI>90 DCM<3	
04 Dali dimming				

DECO PENDANT

2x7W/2x10W/2x15W



Suitable for AC220-240V 50/60Hz
Single: IP20
Control: On/Off, Triac, 1-10V,
Lifetime 35000-50000H

Accessories:  Linear spread lens  Spread lens  Opal cylinder

2x7W ELDP-2X0758

Lumen:800-1120lm,3000K CRI>90 Efficacy up to:72 lm/W

Driver	Version	Optics	LED	Finishes
01 On/Off	180mA MAX: 2x7W	Narrow	2700K CRI>90 DCM<3	White
02 Triac dimming		Medium	3000K CRI>90 DCM<3	Black
03 1-10V dimming		Wide	4000K CRI>90 DCM<3	
04 Dali dimming		Super wide		

2x10W ELDP-2X1058

Lumen:1200-1600lm,3000K CRI>90 Efficacy up to:72 lm/W

Driver	Version	Optics	LED	Finishes
01 On/Off	250mA MAX: 2x10W	Narrow	2700K CRI>90 DCM<3	White
02 Triac dimming		Medium	3000K CRI>90 DCM<3	Black
03 1-10V dimming		Wide	4000K CRI>90 DCM<3	
04 Dali dimming		Super wide		

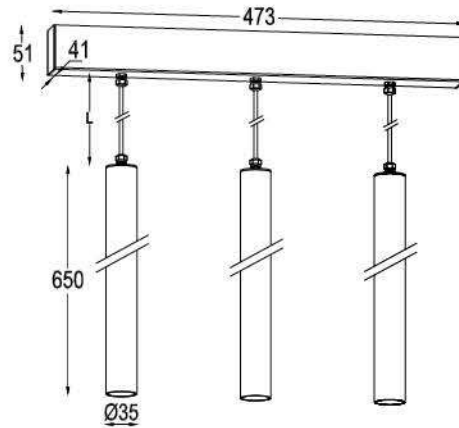
2x15W ELDP-2X1558

Lumen:1800-2400lm,3000K CRI>90 Efficacy up to:72 lm/W

Driver	Version	Optics	LED	Finishes
01 On/Off	350mA MAX: 2x15W	Narrow	2700K CRI>90 DCM<3	White
02 Triac dimming		Medium	3000K CRI>90 DCM<3	Black
03 1-10V dimming		Wide	4000K CRI>90 DCM<3	
04 Dali dimming		Super wide		

DECO PENDANT

3x5W/3x7W



Suitable for AC220-240V 50/60Hz
 Single: IP20
 Control: On/Off, Triac, 1-10V,
 Lifetime 35000-50000H

Accessories:  Linear spread lens  Spread lens  Opal cylinder

3x5W ELDP-3X0535

Lumen:900-1260 lm,3000K CRI>90 Efficacy up to:75 lm/W

Driver	Version	Optics	LED	Finishes
01 On/Off	350mA MAX: 3x5W	Narrow	2700K CRI>90 DCM<3	White
02 Triac dimming		Wide	3000K CRI>90 DCM<3	Black
03 1-10V dimming			4000K CRI>90 DCM<3	
04 Dali dimming				

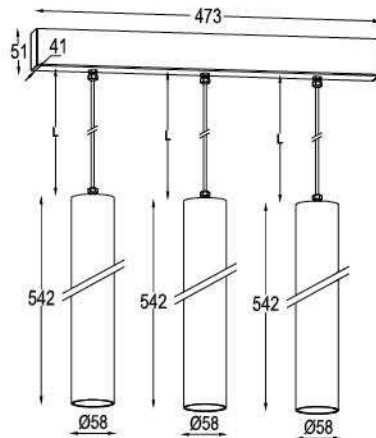
3x7W ELDP-3X0735

Lumen:1200-1680 lm,3000K CRI>90 Efficacy up to:72 lm/W

Driver	Version	Optics	LED	Finishes
01 On/Off	180mA MAX: 3x7W	Narrow	2700K CRI>90 DCM<3	White
02 Triac dimming		Wide	3000K CRI>90 DCM<3	Black
03 1-10V dimming			4000K CRI>90 DCM<3	
04 Dali dimming				

DECO PENDANT

3x7W/3x10W/3x15W



Suitable for AC220-240V 50/60Hz
 Single: IP20
 Control: On/Off, Triac, 1-10V,
 Lifetime 35000-50000H

Accessories:  Linear spread lens  Spread lens  Opal cylinder

3x7W ELDP-3X0758

Lumen:1200-1680 lm,3000K CRI>90 Efficacy up to:72 lm/W

Driver	Version	Optics	LED	Finishes
01 On/Off	180mA MAX: 3x7W	Narrow	2700K CRI>90 DCM<3	<input type="checkbox"/> White
02 Triac dimming		Medium	3000K CRI>90 DCM<3	<input checked="" type="checkbox"/> Black
03 1-10V dimming		Wide	4000K CRI>90 DCM<3	
04 Dali dimming		Super wide		

3x10W ELDP-3X1058

Lumen:1800-2400 lm,3000K CRI>90 Efficacy up to:72 lm/W

Driver	Version	Optics	LED	Finishes
01 On/Off	250mA MAX: 3x10W	Narrow	2700K CRI>90 DCM<3	<input type="checkbox"/> White
02 Triac dimming		Medium	3000K CRI>90 DCM<3	<input checked="" type="checkbox"/> Black
03 1-10V dimming		Wide	4000K CRI>90 DCM<3	
04 Dali dimming		Super wide		

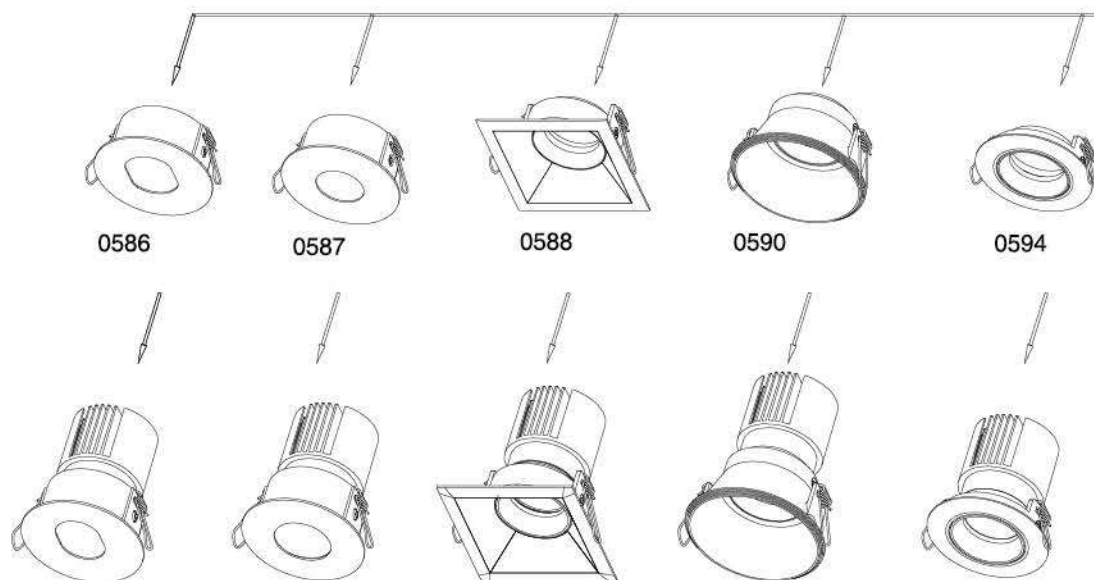
3x15W ELDP-3X1558

Lumen:2700-3600 lm,3000K CRI>90 Efficacy up to:72 lm/W

Driver	Version	Optics	LED	Finishes
01 On/Off	350mA MAX: 3x15W	Narrow	2700K CRI>90 DCM<3	<input type="checkbox"/> White
02 Triac dimming		Medium	3000K CRI>90 DCM<3	<input checked="" type="checkbox"/> Black
03 1-10V dimming		Wide	4000K CRI>90 DCM<3	
04 Dali dimming		Super wide		

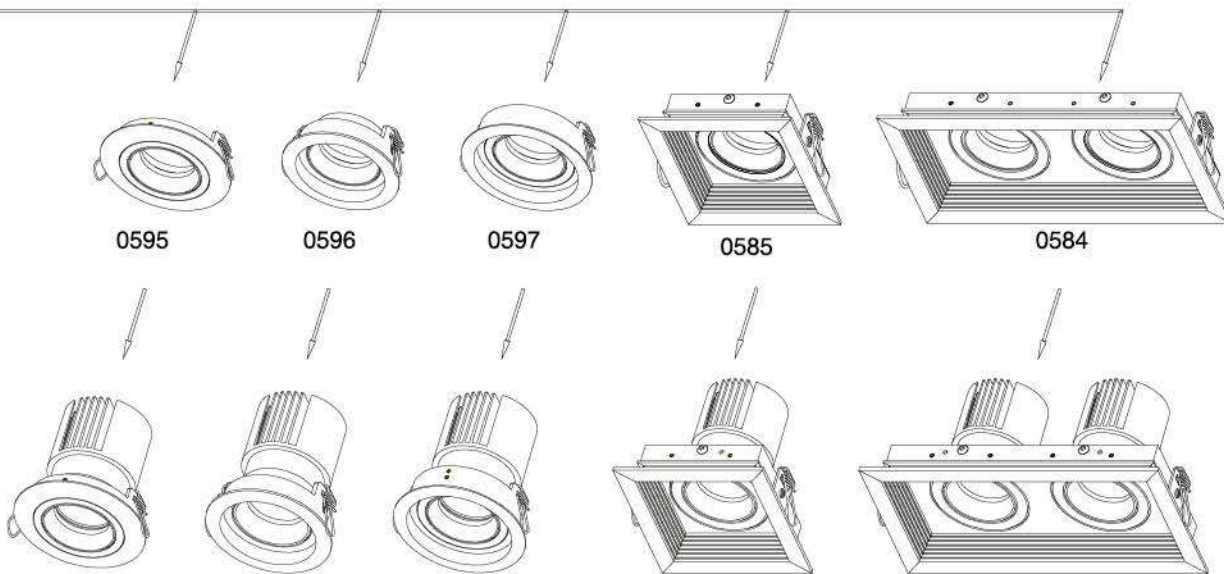
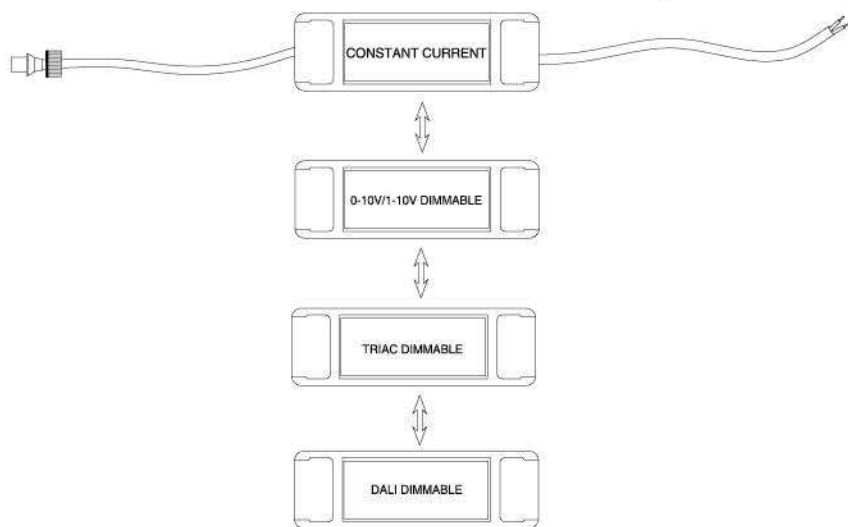
NUCLEO & RING

CODICE: NUCLEO xx-xxxx



NUCLEO xx-0586 NUCLEO xx-0587 NUCLEO xx-0588 NUCLEO xx-0590 NUCLEO xx-0594

220V-240V AC 50/60Hz



0595

0596

0597

0585

0584

NUCLEO xx-0595

NUCLEO xx-0596

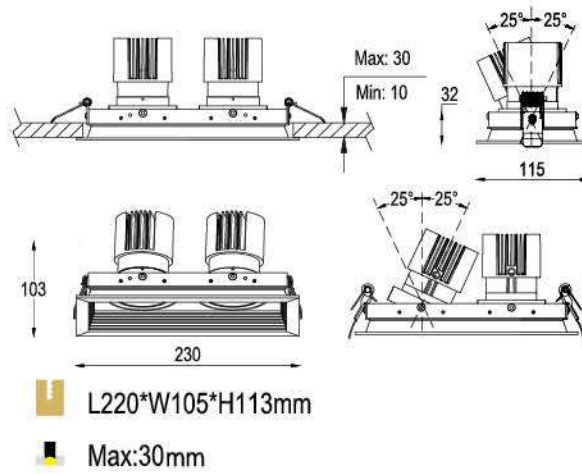
NUCLEO xx-0597

NUCLEO xx-0585


NUCLEO xx-0584

NUCLEO & RING

7W/10W/15W



 L220*W105*H113mm

 Max:30mm



Suitable for AC220-240V 50/60Hz
 Single: IP20
 Control: On/Off, Triac, 1-10V,
 Lifetime 35000-50000H

Accessories:  Honeycomb  Linear spread lens

7W NUCLEO-07 + RING-0584

Lumen:450-670 lm,3000K CRI>90 Efficacy up to:90 lm/W

Driver	Version	Optics	LED	Finishes
01 On/Off	180mA MAX: 7W	Narrow	2700K CRI>90 DCM<3	<input type="checkbox"/> White
02 Triac dimming		Medium	3000K CRI>90 DCM<3	<input checked="" type="checkbox"/> Black
03 1-10V dimming		Wide	3500K CRI>90 DCM<3	
			4000K CRI>90 DCM<3	

10W NUCLEO-10 + RING-0584

Lumen:650-950 lm,3000K CRI>90 Efficacy up to:90 lm/W

Driver	Version	Optics	LED	Finishes
01 On/Off	250mA MAX: 10W	Narrow	2700K CRI>90 DCM<3	<input type="checkbox"/> White
02 Triac dimming		Medium	3000K CRI>90 DCM<3	<input checked="" type="checkbox"/> Black
03 1-10V dimming		Wide	3500K CRI>90 DCM<3	
04 Dali dimming			4000K CRI>90 DCM<3	

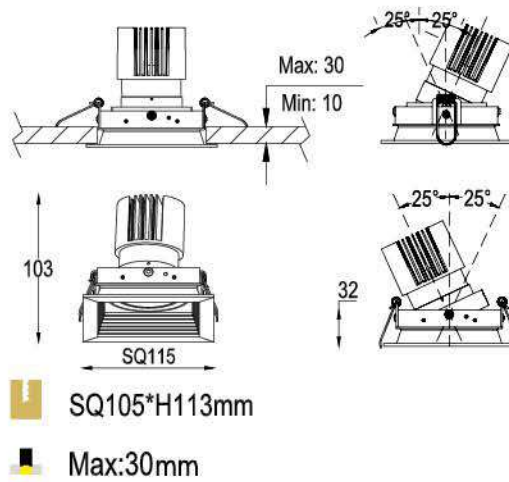
15W NUCLEO-15 + RING-0584

Lumen:750-1500 lm,3000K CRI>90 Efficacy up to:90 lm/W

Driver	Version	Optics	LED	Finishes
01 On/Off	350mA MAX: 15W	Narrow	2700K CRI>90 DCM<3	<input type="checkbox"/> White
02 Triac dimming		Medium	3000K CRI>90 DCM<3	<input checked="" type="checkbox"/> Black
03 1-10V dimming		Wide	3500K CRI>90 DCM<3	
04 Dali dimming			4000K CRI>90 DCM<3	

NUCLEO & RING

7W/10W/15W



Suitable for AC220-240V 50/60Hz
Single: IP20
Control: On/Off, Triac, 1-10V,
Lifetime 35000-50000H

Accessories: Honeycomb Linear spread lens

7W NUCLEO-07 + RING-0585

Lumen:450-670lm,3000K CRI>90 Efficacy up to:90lm/W

Driver	Version	Optics	LED	Finishes
01 On/Off	180mA MAX: 7W	Narrow	2700K CRI>90 DCM<3	White
02 Triac dimming		Medium	3000K CRI>90 DCM<3	Black
03 1-10V dimming		Wide	3500K CRI>90 DCM<3	
			4000K CRI>90 DCM<3	

10W NUCLEO-10 + RING-0585

Lumen:650-950lm,3000K CRI>90 Efficacy up to:90lm/W

Driver	Version	Optics	LED	Finishes
01 On/Off	250mA MAX: 10W	Narrow	2700K CRI>90 DCM<3	White
02 Triac dimming		Medium	3000K CRI>90 DCM<3	Black
03 1-10V dimming		Wide	3500K CRI>90 DCM<3	
04 Dali dimming			4000K CRI>90 DCM<3	

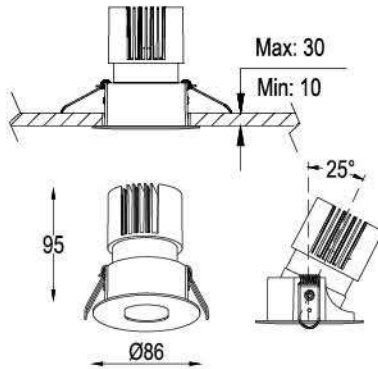
15W NUCLEO-15 + RING-0585

Lumen:750-1500lm,3000K CRI>90 Efficacy up to:90lm/W

Driver	Version	Optics	LED	Finishes
01 On/Off	350mA MAX: 15W	Narrow	2700K CRI>90 DCM<3	White
02 Triac dimming		Medium	3000K CRI>90 DCM<3	Black
03 1-10V dimming		Wide	3500K CRI>90 DCM<3	
04 Dali dimming			4000K CRI>90 DCM<3	

NUCLEO & RING

7W/10W/15W



Ø75*H105mm
 Max:20mm



Suitable for AC220-240V 50/60Hz
 Single: IP20
 Control: On/Off, Triac, 1-10V,
 Lifetime 35000-50000H

Accessories: Honeycomb Linear spread lens

7W NUCLEO-07 + RING-0586

Lumen:420-500 lm,3000K CRI>90 Efficacy up to:70 lm/W

Driver	Version	Optics	LED	Finishes
01 On/Off	180mA MAX: 7W	Narrow	2700K CRI>90 DCM<3	<input type="checkbox"/> White
02 Triac dimming		Medium	3000K CRI>90 DCM<3	<input checked="" type="checkbox"/> Black
03 1-10V dimming		Wide	3500K CRI>90 DCM<3	
			4000K CRI>90 DCM<3	

10W NUCLEO-10 + RING-0586

Lumen:600-700 lm,3000K CRI>90 Efficacy up to:70 lm/W

Driver	Version	Optics	LED	Finishes
01 On/Off	250mA MAX: 10W	Narrow	2700K CRI>90 DCM<3	<input type="checkbox"/> White
02 Triac dimming		Medium	3000K CRI>90 DCM<3	<input checked="" type="checkbox"/> Black
03 1-10V dimming		Wide	3500K CRI>90 DCM<3	
04 Dali dimming			4000K CRI>90 DCM<3	

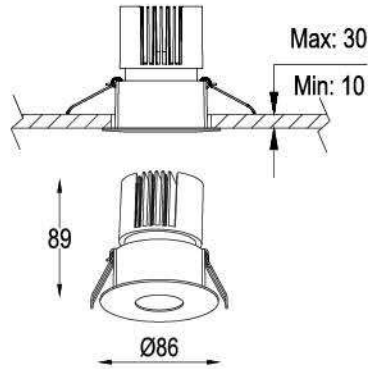
15W NUCLEO-15 + RING-0586



Lumen:900-1050 lm,3000K CRI>90 Efficacy up to:70 lm/W

Driver	Version	Optics	LED	Finishes
01 On/Off	350mA MAX: 15W	Narrow	2700K CRI>90 DCM<3	<input type="checkbox"/> White
02 Triac dimming		Medium	3000K CRI>90 DCM<3	<input checked="" type="checkbox"/> Black
03 1-10V dimming		Wide	3500K CRI>90 DCM<3	
04 Dali dimming			4000K CRI>90 DCM<3	

NUCLEO & RING

7W/10W/15W



 **Ø75*H100mm**
 **Max:30mm**



Suitable for AC220-240V 50/60Hz
 Single: IP20
 Control: On/Off, Triac, 1-10V
 Lifetime 35000-50000H

Accessories:  Honeycomb  Linear spread lens

7W NUCLEO-07 + RING-0587

Lumen:420-500 lm,3000K CRI>90 Efficacy up to:70 lm/W

Driver	Version	Optics	LED	Finishes
01 On/Off	180mA MAX: 7W	Narrow	2700K CRI>90 DCM<3	White
02 Triac dimming		Medium	3000K CRI>90 DCM<3	Black
03 1-10V dimming		Wide	3500K CRI>90 DCM<3	
		Super wide	4000K CRI>90 DCM<3	

10W NUCLEO-10 + RING-0587

Lumen:600-700 lm,3000K CRI>90 Efficacy up to:70 lm/W

Driver	Version	Optics	LED	Finishes
01 On/Off	250mA MAX: 10W	Narrow	2700K CRI>90 DCM<3	White
02 Triac dimming		Medium	3000K CRI>90 DCM<3	Black
03 1-10V dimming		Wide	3500K CRI>90 DCM<3	
04 Dali dimming			4000K CRI>90 DCM<3	

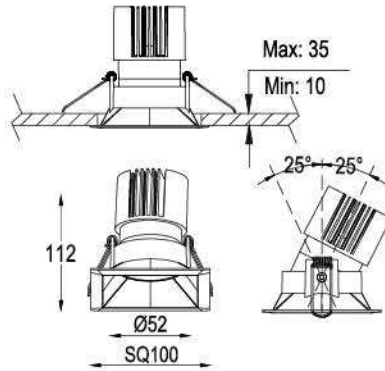
15W NUCLEO-15 + RING-0587

Lumen:900-1050 lm,3000K CRI>90 Efficacy up to:70 lm/W

Driver	Version	Optics	LED	Finishes
01 On/Off	350mA MAX: 15W	Narrow	2700K CRI>90 DCM<3	White
02 Triac dimming		Medium	3000K CRI>90 DCM<3	Black
03 1-10V dimming		Wide	3500K CRI>90 DCM<3	
04 Dali dimming			4000K CRI>90 DCM<3	

NUCLEO & RING

7W/10W/15W



SQ90*H122mm
 Max:35mm



Suitable for AC220-240V 50/60Hz
 Single: IP20
 Control: On/Off, Triac, 1-10V,
 Lifetime 35000-50000H

Accessories: Honeycomb Linear spread lens

7W NUCLEO-07 + RING-0588

Lumen:450-670lm,3000K CRI>90 Efficacy up to:90lm/W

Driver	Version	Optics	LED	Finishes
01 On/Off	180mA MAX: 7W	Narrow	2700K CRI>90 DCM<3	White
02 Triac dimming		Medium	3000K CRI>90 DCM<3	Black
03 1-10V dimming		Wide	3500K CRI>90 DCM<3	
			4000K CRI>90 DCM<3	

10W NUCLEO-10 + RING-0588

Lumen:650-950lm,3000K CRI>90 Efficacy up to:90lm/W

Driver	Version	Optics	LED	Finishes
01 On/Off	250mA MAX: 10W	Narrow	2700K CRI>90 DCM<3	White
02 Triac dimming		Medium	3000K CRI>90 DCM<3	Black
03 1-10V dimming		Wide	3500K CRI>90 DCM<3	
04 Dali dimming			4000K CRI>90 DCM<3	

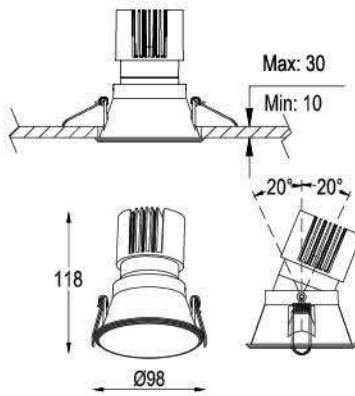
15W NUCLEO-15 + RING-0588

Lumen:750-1500lm,3000K CRI>90 Efficacy up to:90lm/W

Driver	Version	Optics	LED	Finishes
01 On/Off	350mA MAX: 15W	Narrow	2700K CRI>90 DCM<3	White
02 Triac dimming		Medium	3000K CRI>90 DCM<3	Black
03 1-10V dimming		Wide	3500K CRI>90 DCM<3	
04 Dali dimming			4000K CRI>90 DCM<3	

NUCLEO & RING

7W/10W/15W



Ø90*H130mm
 Max:20mm



Suitable for AC220-240V 50/60Hz
 Single: IP20
 Control: On/Off, Triac, 1-10V,
 Lifetime 35000-50000H

Accessories: Honeycomb Linear spread lens

7W NUCLEO-07 + RING-0590

Lumen:450-670 lm,3000K CRI>90 Efficacy up to:90 lm/W

Driver	Version	Optics	LED	Finishes
01 On/Off	180mA MAX: 7W	Narrow	2700K CRI>90 DCM<3	<input type="checkbox"/> White
02 Triac dimming		Medium	3000K CRI>90 DCM<3	<input checked="" type="checkbox"/> Black
03 1-10V dimming		Wide	3500K CRI>90 DCM<3	
			4000K CRI>90 DCM<3	

10W NUCLEO-10 + RING-0590

Lumen:650-950 lm,3000K CRI>90 Efficacy up to:90 lm/W

Driver	Version	Optics	LED	Finishes
01 On/Off	250mA MAX: 10W	Narrow	2700K CRI>90 DCM<3	<input type="checkbox"/> White
02 Triac dimming		Medium	3000K CRI>90 DCM<3	<input checked="" type="checkbox"/> Black
03 1-10V dimming		Wide	3500K CRI>90 DCM<3	
04 Dali dimming			4000K CRI>90 DCM<3	

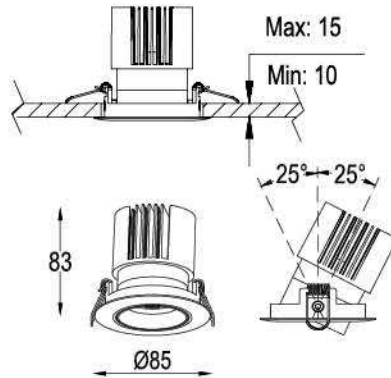
15W NUCLEO-15 + RING-0590

Lumen:750-1500 lm,3000K CRI>90 Efficacy up to:90 lm/W

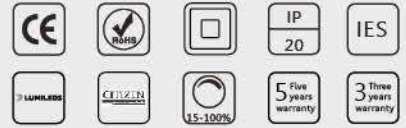
Driver	Version	Optics	LED	Finishes
01 On/Off	350mA MAX: 15W	Narrow	2700K CRI>90 DCM<3	<input type="checkbox"/> White
02 Triac dimming		Medium	3000K CRI>90 DCM<3	<input checked="" type="checkbox"/> Black
03 1-10V dimming		Wide	3500K CRI>90 DCM<3	
04 Dali dimming			4000K CRI>90 DCM<3	

NUCLEO & RING

7W/10W/15W



ⓘ Ø75*H93mm
 ⓐ Max:15mm



Suitable for AC220-240V 50/60Hz
 Single: IP20
 Control: On/Off, Triac, 1-10V,
 Lifetime 35000-50000H

Accessories: Honeycomb Linear spread lens

7W NUCLEO-07 + RING-0594

Lumen:450-670lm,3000K CRI>90 Efficacy up to:90lm/W

Driver	Version	Optics	LED	Finishes
01 On/Off	180mA MAX: 7W	Narrow	2700K CRI>90 DCM<3	<input type="checkbox"/> White
02 Triac dimming		Medium	3000K CRI>90 DCM<3	<input checked="" type="checkbox"/> Black
03 1-10V dimming		Wide	3500K CRI>90 DCM<3	
			4000K CRI>90 DCM<3	

10W NUCLEO-10 + RING-0594

Lumen:650-950lm,3000K CRI>90 Efficacy up to:90lm/W

Driver	Version	Optics	LED	Finishes
01 On/Off	250mA MAX: 10W	Narrow	2700K CRI>90 DCM<3	<input type="checkbox"/> White
02 Triac dimming		Medium	3000K CRI>90 DCM<3	<input checked="" type="checkbox"/> Black
03 1-10V dimming		Wide	3500K CRI>90 DCM<3	
04 Dali dimming			4000K CRI>90 DCM<3	

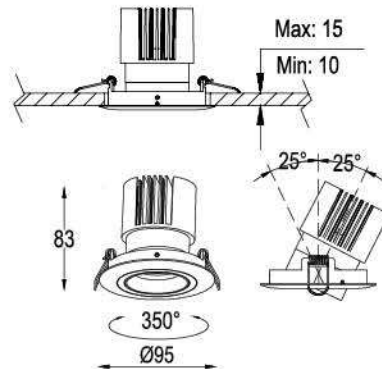
15W NUCLEO-15 + RING-0594

Lumen:750-1500lm,3000K CRI>90 Efficacy up to:90lm/W

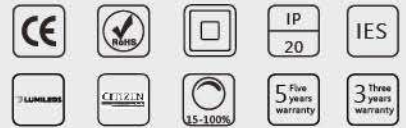
Driver	Version	Optics	LED	Finishes
01 On/Off	350mA MAX: 15W	Narrow	2700K CRI>90 DCM<3	<input type="checkbox"/> White
02 Triac dimming		Medium	3000K CRI>90 DCM<3	<input checked="" type="checkbox"/> Black
03 1-10V dimming		Wide	3500K CRI>90 DCM<3	
04 Dali dimming			4000K CRI>90 DCM<3	

NUCLEO & RING

7W/10W/15W



Ø85*H93mm
 Max:15mm



Suitable for AC220-240V 50/60Hz
 Single: IP20
 Control: On/Off, Triac, 1-10V,
 Lifetime 35000-50000H

Accessories: Honeycomb Linear spread lens

7W NUCLEO-07 + RING-0595

Lumen:450-670 lm,3000K CRI>90 Efficacy up to:90 lm/W

Driver	Version	Optics	LED	Finishes
01 On/Off	180mA MAX: 7W	Narrow	2700K CRI>90 DCM<3	<input type="checkbox"/> White
02 Triac dimming		Medium	3000K CRI>90 DCM<3	<input checked="" type="checkbox"/> Black
03 1-10V dimming		Wide	3500K CRI>90 DCM<3	
			4000K CRI>90 DCM<3	

10W NUCLEO-10 + RING-0595

Lumen:650-950 lm,3000K CRI>90 Efficacy up to:90 lm/W

Driver	Version	Optics	LED	Finishes
01 On/Off	250mA MAX: 10W	Narrow	2700K CRI>90 DCM<3	<input type="checkbox"/> White
02 Triac dimming		Medium	3000K CRI>90 DCM<3	<input checked="" type="checkbox"/> Black
03 1-10V dimming		Wide	3500K CRI>90 DCM<3	
04 Dali dimming			4000K CRI>90 DCM<3	

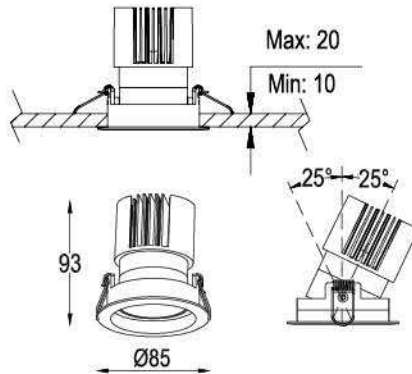
15W NUCLEO-15 + RING-0595

Lumen:750-1500 lm,3000K CRI>90 Efficacy up to:90 lm/W

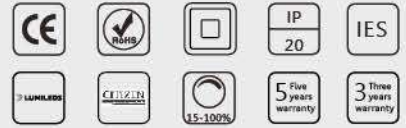
Driver	Version	Optics	LED	Finishes
01 On/Off	350mA MAX: 15W	Narrow	2700K CRI>90 DCM<3	<input type="checkbox"/> White
02 Triac dimming		Medium	3000K CRI>90 DCM<3	<input checked="" type="checkbox"/> Black
03 1-10V dimming		Wide	3500K CRI>90 DCM<3	
04 Dali dimming			4000K CRI>90 DCM<3	

NUCLEO & RING

7W/10W/15W



Ø75*H103mm
 Max:20mm



Suitable for AC220-240V 50/60Hz
 Single: IP20
 Control: On/Off, Triac, 1-10V,
 Lifetime 35000-50000H

Accessories: Honeycomb Linear spread lens

7W NUCLEO-07 + RING-0596

Lumen:450-670lm,3000K CRI>90 Efficacy up to:90 lm/W

Driver	Version	Optics	LED	Finishes
01 On/Off	180mA MAX:7W	Narrow	2700K CRI>90 DCM<3	White
02 Triac dimming		Medium	3000K CRI>90 DCM<3	Black
03 1-10V dimming		Wide	3500K CRI>90 DCM<3	
			4000K CRI>90 DCM<3	

10W NUCLEO-10 + RING-0596

Lumen:650-950lm,3000K CRI>90 Efficacy up to:90 lm/W

Driver	Version	Optics	LED	Finishes
01 On/Off	250mA MAX:10W	Narrow	2700K CRI>90 DCM<3	White
02 Triac dimming		Medium	3000K CRI>90 DCM<3	Black
03 1-10V dimming		Wide	3500K CRI>90 DCM<3	
04 Dali dimming			4000K CRI>90 DCM<3	

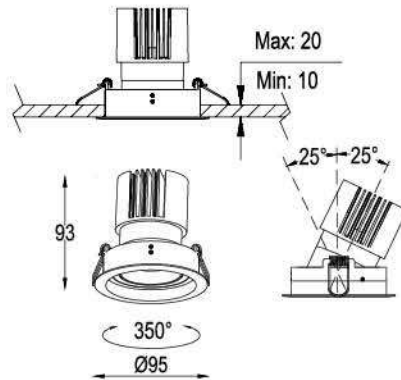
15W NUCLEO-15 + RING-0596

Lumen:750-1500lm,3000K CRI>90 Efficacy up to:90 lm/W

Driver	Version	Optics	LED	Finishes
01 On/Off	350mA MAX:15W	Narrow	2700K CRI>90 DCM<3	White
02 Triac dimming		Medium	3000K CRI>90 DCM<3	Black
03 1-10V dimming		Wide	3500K CRI>90 DCM<3	
04 Dali dimming			4000K CRI>90 DCM<3	

NUCLEO & RING

7W/10W/15W



Ø85*H103mm
 Max:20mm



Suitable for AC220-240V 50/60Hz
 Single: IP20
 Control: On/Off, Triac, 1-10V,
 Lifetime 35000-50000H

Accessories: Honeycomb Linear spread lens

7W NUCLEO-07 + RING-0597

Lumen:450-670 lm,3000K CRI>90 Efficacy up to:90 lm/W

Driver	Version	Optics	LED	Finishes
01 On/Off	180mA MAX: 7W	Narrow	2700K CRI>90 DCM<3	<input type="checkbox"/> White
02 Triac dimming		Medium	3000K CRI>90 DCM<3	<input checked="" type="checkbox"/> Black
03 1-10V dimming		Wide	3500K CRI>90 DCM<3	
			4000K CRI>90 DCM<3	

10W NUCLEO-10 + RING-0597

Lumen:650-950 lm,3000K CRI>90 Efficacy up to:90 lm/W

Driver	Version	Optics	LED	Finishes
01 On/Off	250mA MAX: 10W	Narrow	2700K CRI>90 DCM<3	<input type="checkbox"/> White
02 Triac dimming		Medium	3000K CRI>90 DCM<3	<input checked="" type="checkbox"/> Black
03 1-10V dimming		Wide	3500K CRI>90 DCM<3	
04 Dali dimming			4000K CRI>90 DCM<3	

15W NUCLEO-15 + RING-0597

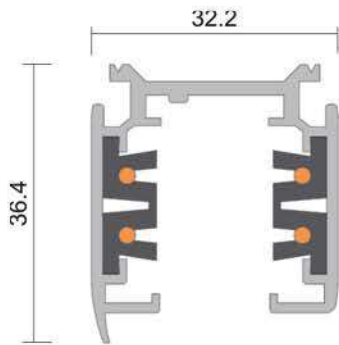
Lumen:750-1500 lm,3000K CRI>90 Efficacy up to:90 lm/W

Driver	Version	Optics	LED	Finishes
01 On/Off	350mA MAX: 15W	Narrow	2700K CRI>90 DCM<3	<input type="checkbox"/> White
02 Triac dimming		Medium	3000K CRI>90 DCM<3	<input checked="" type="checkbox"/> Black
03 1-10V dimming		Wide	3500K CRI>90 DCM<3	
04 Dali dimming			4000K CRI>90 DCM<3	

TRACK & ACCESSORIES



TRACK & ACCESSORIES



Suitable for AC220-240V 50/60Hz
Single: IP20



TRACK-19B (1 -2 - 3 -4 m)

Electrical three-phase + ground track

Dimension	Max load	Channel	Conductors	Ground
35 x 35 mm	16 A	3 channels	4 insulated (copper)	Built-in

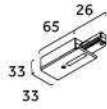


TRACK-19B R (1 -2 - 3 -4 m)

Electrical three-phase + ground track

Dimension	Max load	Channel	Conductors	Ground
35 x 35 mm	16 A	3 channels	4 insulated (copper)	Built-in

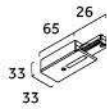
TRACK & ACCESSORIES



TRACK 24B-DX

Live-end connector

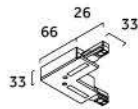
Dimension	Max load	Channel
33 x 33 X 91 mm	16 A	3 channel s



TRACK 24B-SX

Live-end connector

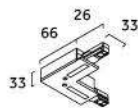
Dimension	Max load	Channel
33 x 33 X 91 mm	16 A	3 channel s



TRACK 28B-DX

L-coupler with feeding

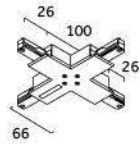
Dimension	Max load	Channel
66 x 66 X 33 mm	16 A	3 channel s



TRACK 28B-SX

L-coupler with feeding

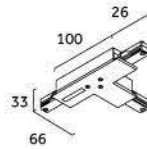
Dimension	Max load	Channel
66 x 66 X 33 mm	16 A	3 channel s



TRACK 29B

X-coupler with feeding

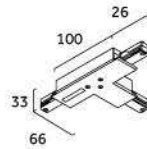
Dimension	Max load	Channel
100 x 100 X 33 mm	16 A	3 channel s



TRACK 32B-DX

T-coupler with feeding

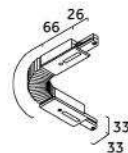
Dimension	Max load	Channel
100 x 66 X 33 mm	16 A	3 channel s



TRACK 32B-SX

T-coupler with feeding

Dimension	Max load	Channel
100 x 66 X 33 mm	16 A	3 channel s



TRACK 30B

Flex-coupler 30° to 330° with feeding

Dimension	Max load	Channel
180 x 33 X 33 mm	16 A	3 channel s

TRACK & ACCESSORIES



TRACK 34B Straight coupler to joint two section of track electrically

Dimension	Max load	Channel
70 x 20 X 26 mm	16 A	3 channel s



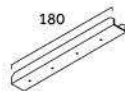
TRACK 35B End cap

Dimension
35 x 35 m m



TRACK 37B-0 Ceiling clip for ceiling mounting to level uneven ceiling

Dimension
33 x 33 X 5 mm



TRACK 38 Joints reinforcement bar

Dimension
180 x 33 X 33 mm

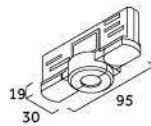


TRACK 39B-5

Suspension kit (5 mt)

Composed of:

- 1x Ceiling clip
- 1x Ceiling dowel
- 1x Steel wire
- 1x Steel wire accessories

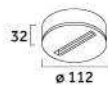


TRACK 85

MultiAdapter for pendant lights

Dimension

95 x 30 mm



TRACK 90

Wall fixing with data bus contacts

Dimension

100 x 66 X 33 mm

ARCH S.r.l.

Via Don Martinazzoli 31, 25031 Capriolo, BS

Via Ettore Gabrici 10, 00173, Roma

+39 0679811930 - info@archtechnology.eu

Progetto grafico: Giorgia Belardinelli e Eleonora Zuaro

Edizione MAGGIO 2019

Facebook: www.facebook.com/archtechnology.eu



ARCH Lighting

www.archtechnology.eu